

**LB 8200**

## **Spare Parts Manual**

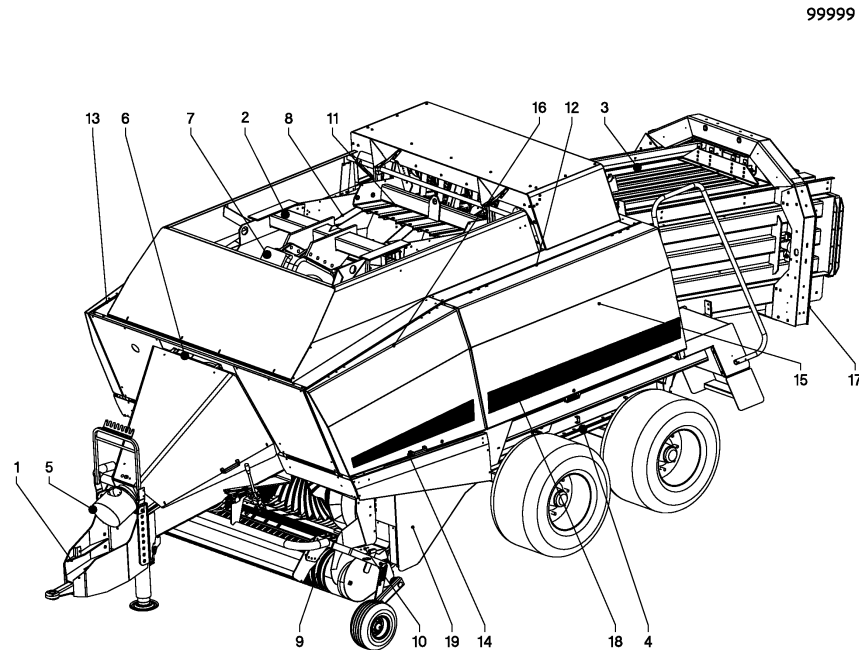
Article number: VGP0706GR(3)  
Language: EN  
Production year (from): 2007  
Prod. Series nr (from):  
GR00168 < Mach. ID <=



# LB 8200 / Table of Contents

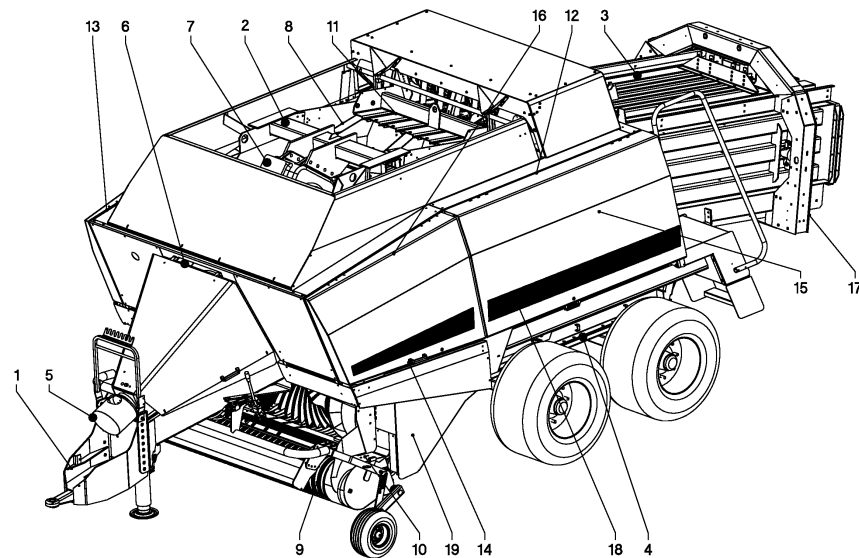


PosNo.	Assembly group	Page
1	HITCHING EQUIPMENT	1
1	JACK STAND	2
2	MAIN FRAME	3
3	CHAMBER, BALE	4
3	ROLLER CHUTE	5
4	UNDERCARRIAGE	6
4	WHEEL SET	7
4	SINGLE AXLE	8
4	SINGLE AXLE	9
4	PARKING BRAKE	10
4	BRAKE, SINGLE AXLE	11
4	VALVE UNIT	12
4	BRAKE, SINGLE AXLE	13
4	FRAME, CPL., TANDEM	14
4	BRAKE DRUM, TANDEM	15
4	FIXED AXLE, TANDEM	16
4	SPRING SET, TANDEM	17
4	STEERING AXLE, TANDEM	18
4	PARKING BRAKE, TANDEM	19
4	BRAKE, TANDEM	20
4	BRAKE, TANDEM	21
5	SHAFT, UNIV. JOINT	22
5	SHAFT, UNIV. JOINT	23
6	FLYWHEEL	24
6	BRAKE	25
6	HYDRAULICS PARTS, KIT	26
7	DRIVE, MAIN	27
8	PLUNGER	28
8	SHAFT ASSY	29
8	GUIDE CPL.	30
9	WIND GUARD	31
9	PICK-UP, CPL.	32
9	PICK-UP	33
9	FRAME, ROTOR	34
9	ROTOR, CUTTING- 10-OC	35
9	DRIVE	36
9	GAUGE WHEEL, CPL.	37
9	FRAME, KNIVES	38
9	HYDRAULICS PARTS, KIT	39
9	TENSIONER, CHAIN	40



# LB 8200 / Table of Contents

PosNo.	Assembly group	Page
10	FEED UNIT ASSY	41
10	DRIVE	42
10	GEARBOX ASSY	43
10	FORK, INTAKE-	44
10	AXLE	45
10	LOCKING LEVER	46
10	LOCKING LEVER	47
10	PIN, LOCKING	48
10	MEASURING PLATES	49
10	ADJUSTMENT MEASURING PLATES	50
10	ADJUSTMENT MEASURING PLATES	51
11	KNOTTING APPARATUS	52
11	FAN, SET	53
11	GEARBOX	54
11	KNOTTING APPARATUS	55
11	LEVER	56
11	BRAKE	57
11	TWINE PLATE	58
11	FRAME, NEEDLE	59
11	BAR, DRIVE	60
11	BAR, DRIVE	61
11	PIPE, TWINE GUIDE	62
11	GEARBOX ASSY	63
11	SHAFT, UNIV. JOINT	64
11	GEARBOX ASSY	65
12	MEASUREMENT OF LENGTH	66
12	ARM	67
12	MEASURING WHEEL	68
13	HYDRAULICS	69
13	VALVE UNIT, HYDR.	70
14	ELECTRICAL SYSTEM	71
14	CONTROL BOX	72
14	SENSOR ASSY	73
14	SENSOR ASSY	74
15	PROTECTION, CPL.	75
15	FRAME, PROTECTION	76
15	PROTECTION, CPL.	77
15	PROTECTION, CPL.	78
15	PROTECTION, KNOTTING APPARATUS	79
15	PROTECTION, KNOTTING APPARATUS	80

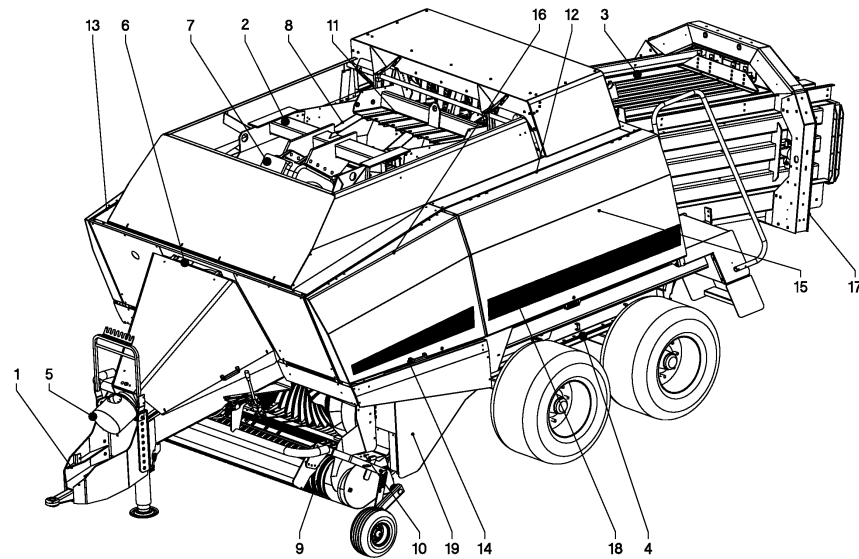




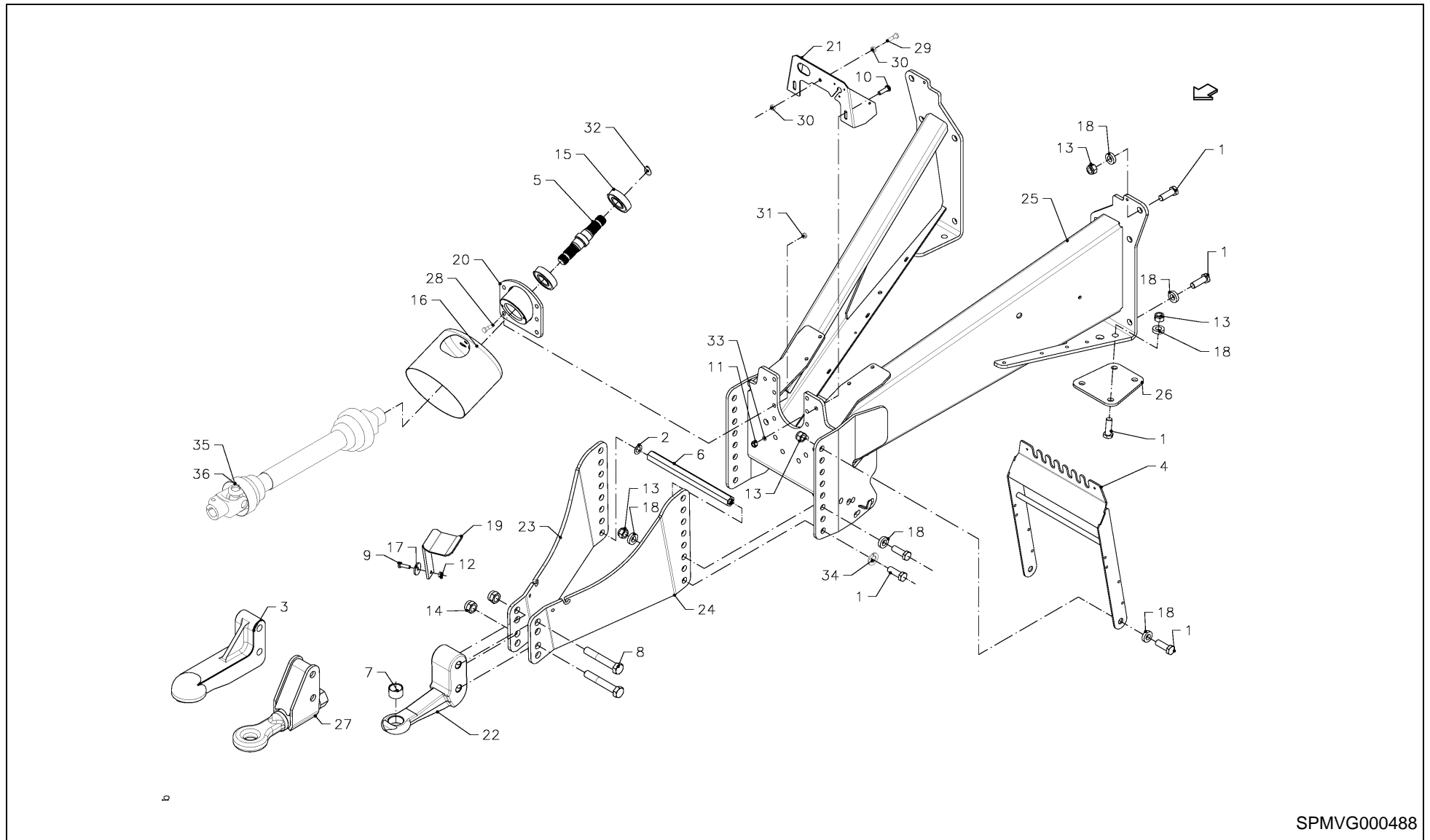
# LB 8200 / Table of Contents



PosNo.	Assembly group	Page
15	PROTECTION, REAR	81
16	BOX, TWINE, CPL.	82
16	BOX, TWINE, CPL.	83
17	LIGHTING	84
18	DECALS + EXTRA PARTS	85
18	DECAL SET	86
19	LUBRICATION SYSTEM	87
19	LUBE SYSTEM FOR CHAIN DRIVE	88
19	LUBRICATION SYSTEM	89
99999	TWINE RELEASE	90
99999	BALE EJECTOR	91
99999	ROLLER CHUTE	92
99999	LOW FRICTION PLATES	93



# LB 8200 / HITCHING EQUIPMENT



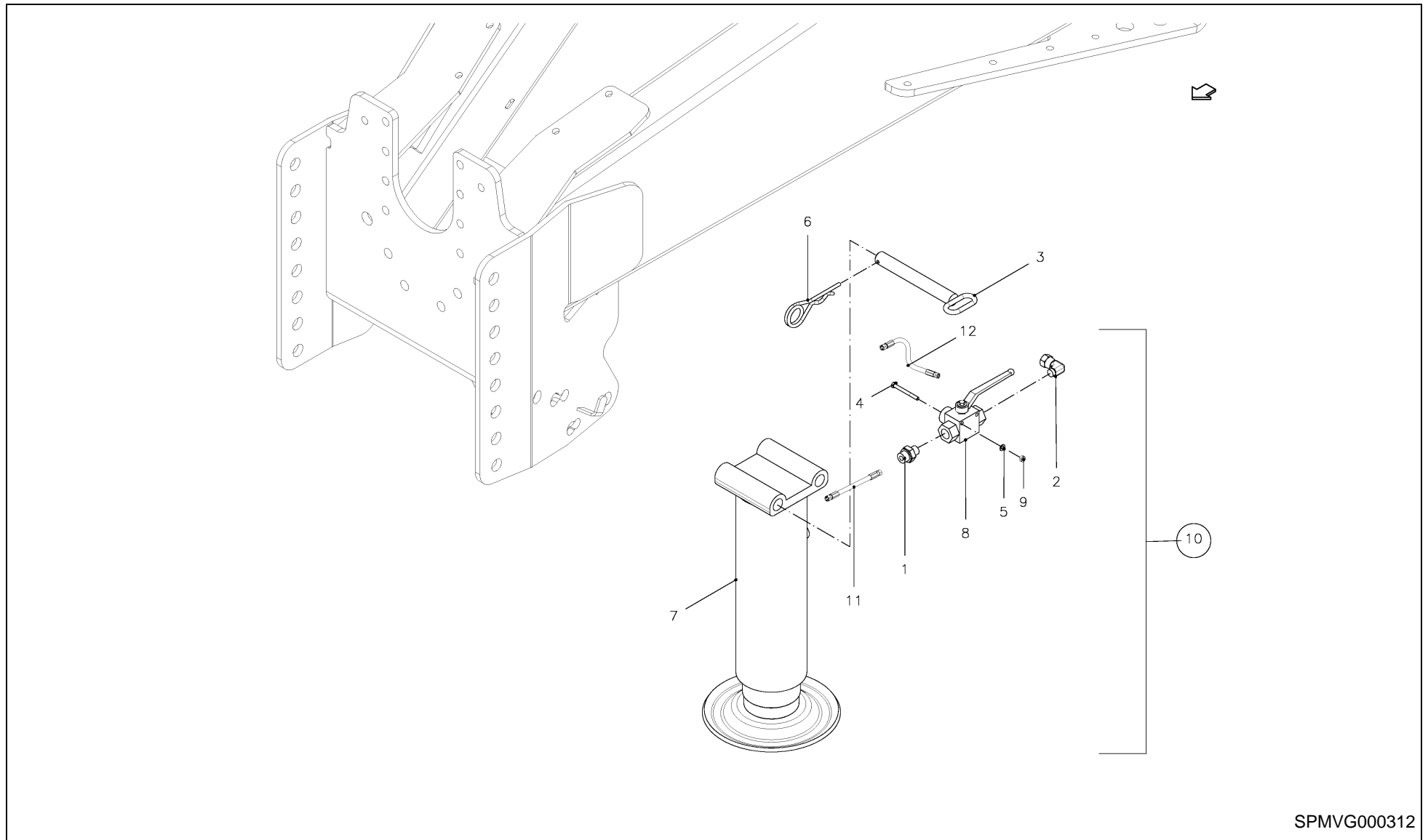
SPMVG000488



## LB 8200 / HITCHING EQUIPMENT

PosNo.	Part No.	Qty.	Description	Remark
1	VR30282918	28	BOLT, NUTTED	
2	VGAH00133		SHIM SET -X20.5X35	
3	VGGP001660	1	HITCH CLEVIS	OPTION
4	VGGP01624K0	1	SUPPORT	
5	VGGP1024	1	SHAFT, DRIVE	
6	VGGP675K0	1	PIPE, PROFILE	
7	VGGP856	1	WEAR PART	
8	KG00342661	2	HEX. BOLT M24X150 10.9	
9	KG00474461	1	HEX. SCREW M10X35 8.8	
10	KG00476761	1	HEX. SCREW M12X40 8.8	
11	KG01052161	2	HEX. NUT M12 8	
12	KG01068861	1	LOCK NUT M10 10	
13	KG01069261	28	NUT, LOCK	
14	KG01069361	2	LOCK NUT M24 10	
15	KG01491300	2	BALL BEARING 6308-2RS C3	
16	VGND94053	1	GUARD CONE	
17	VGNP705V	1	RING	
18	VRR0299593	26	SLEEVE	
19	VRR0529682	1	SUPPORT	
20	VRR0800682	1	HOUSING, CUSHION	
21	VRR0801782	1	SUPPORT	
22	VRR0808001	1	EYE, DRAW BAR	
23	VRR0811282	1	PLATE, RH	
24	VRR0811382	1	PLATE, LH	
25	VRR0817282	1	DRAW BAR	
26	VRR0817482	2	PLATE	
27	VRR0836182	1	EYE, DRAW BAR	OPTION
28	VGEP28V	6	BOLT, TIGHT-FIT	
29	KG00355561	1	HEX. BOLT M10X55 8.8	
30	KG01052061	2	HEX. NUT M10 8	
31	KG01068961	6	LOCK NUT M12 10	
32	KG01131400	1	CIRCLIP-B 90 X 3	
33	VGND3148V	2	WASHER	
34	VGND3175V	2	CIRCLIP	
35	VGND94112	1	SHAFT, UNIV. JOINT	
36	VGND94113	1	SHAFT, UNIV. JOINT	

# LB 8200 / JACK STAND



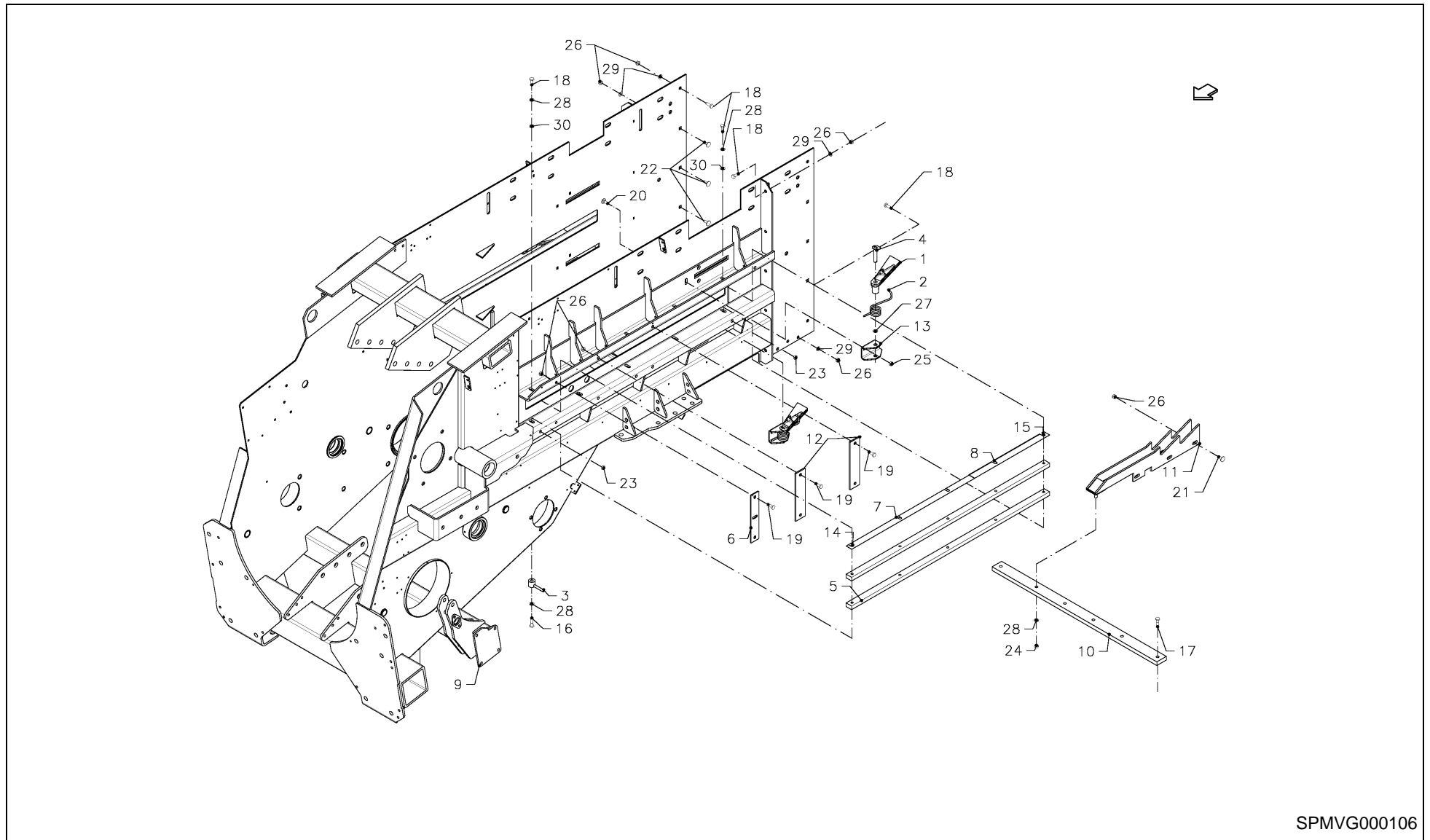
SPMVG000312

# LB 8200 / JACK STAND



PosNo.	Part No.	Qty.	Description	Remark
1	VG38271200V	4	STUD, REDUCING	
2	VG38272200V	3	ELBOW COUPLING	
3	VGGP0821V	2	PIN	
4	KG00350361	2	HEX. BOLT M5X50 8.8	
5	KG01267161	2	WASHER M5	
6	VGPZ160V	2	SPRING CLIP	
7	VRR0615201	1	JACK STAND, HYDR.	
8	VRR0615901	1	VALVE, SHUT-OFF	
9	KG01067261	2	LOCK NUT M5	
10	VG28000056	1	HYDRAULIC JACK	
11	VRR0050702	1	HOSE	
12	VRR0175502	1	HOSE	

# LB 8200 / MAIN FRAME



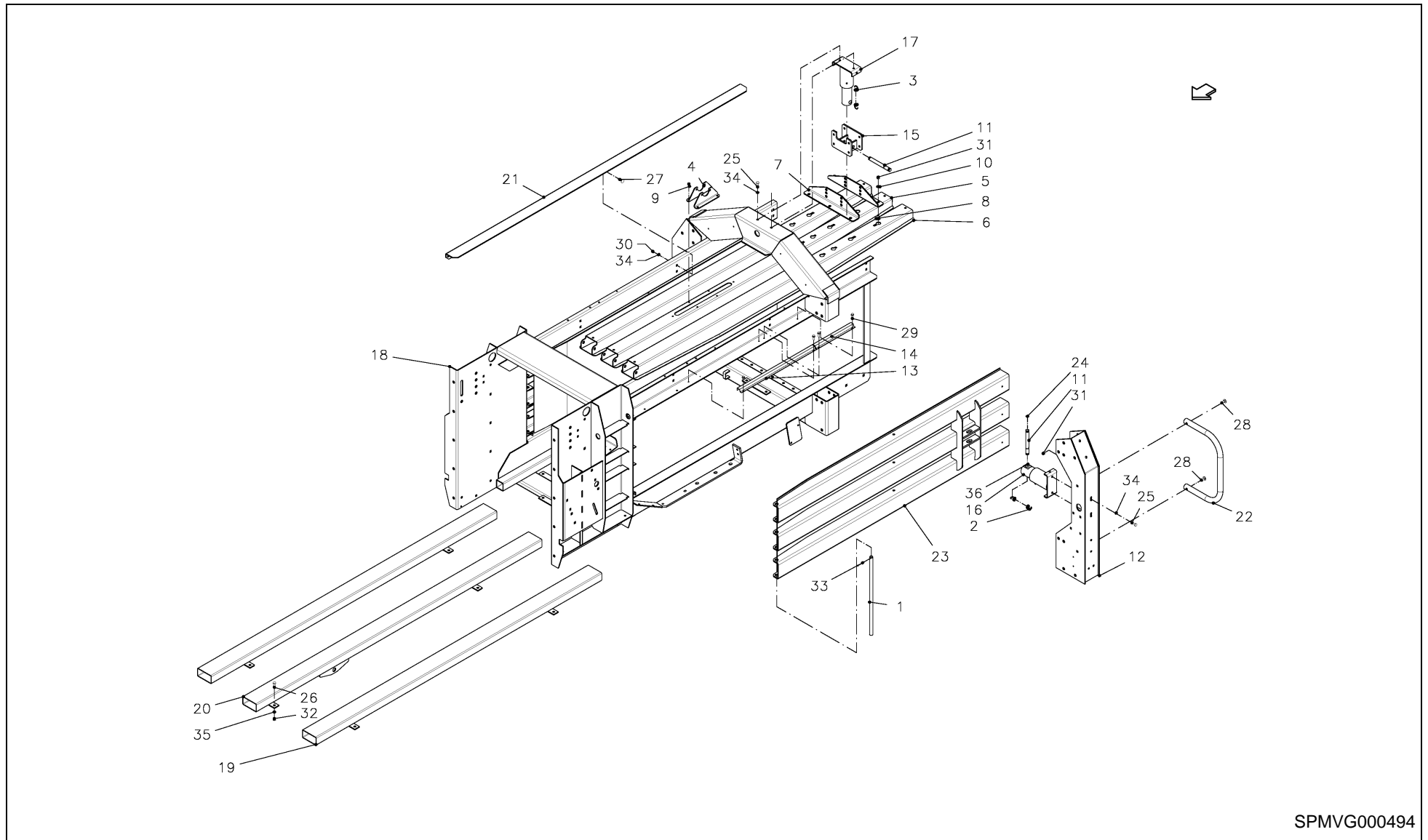
SPMVG000106



## LB 8200 / MAIN FRAME

PosNo.	Part No.	Qty.	Description	Remark
1	VR16988003	4	STOP	
2	VR18604562	4	SPRING, TORSION	
3	VR25015029	4	TENSIONNER	
4	VR25018003	4	PIN	
5	VGGP1213	4	GUIDE	
6	VGGP692K1	1	PLATE	
7	VGGP929	2	PLATE, SHIM	
8	VGGP930	2	PLATE, SHIM	
9	VGGR021K0	1	MAIN FRAME	
10	VRR0438982	1	COUNTERKNIFE	
11	VRR0506282	4	BRACKET	
12	VRR0578382	4	STRIP	
13	VRR0578682	4	BRACKET	
14	VRR0578802	2	PLATE, SHIM	
15	VRR0578902	2	PLATE, SHIM	
16	KG00357561	4	HEX. BOLT M12X50 8.8	
17	KG00357761	2	HEX. BOLT M12X60 8.8	
18	KG00476561	34	HEX. SCREW M12X30 8.8	
19	KG00476661	8	HEX. SCREW M12X35 8.8	
20	KG00641661	8	CARRIAGE BOLT M10X35 8.8	
21	KG00644761	24	CARRIAGE BOLT M12X25 8.8	
22	KG00644861	6	CARRIAGE BOLT M12X30 8.8	
23	KG01052061	4	HEX. NUT M10 8	
24	KG01052161	4	HEX. NUT M12 8	
25	KG01068861	8	LOCK NUT M10 10	
26	KG01068961	54	LOCK NUT M12 10	
27	KG01267761	4	WASHER M16	
28	VGND3148V	26	WASHER	
29	VGND3163V	24	WASHER, PLAIN	
30	VGTH100V	16	RING	

# LB 8200 / CHAMBER, BALE



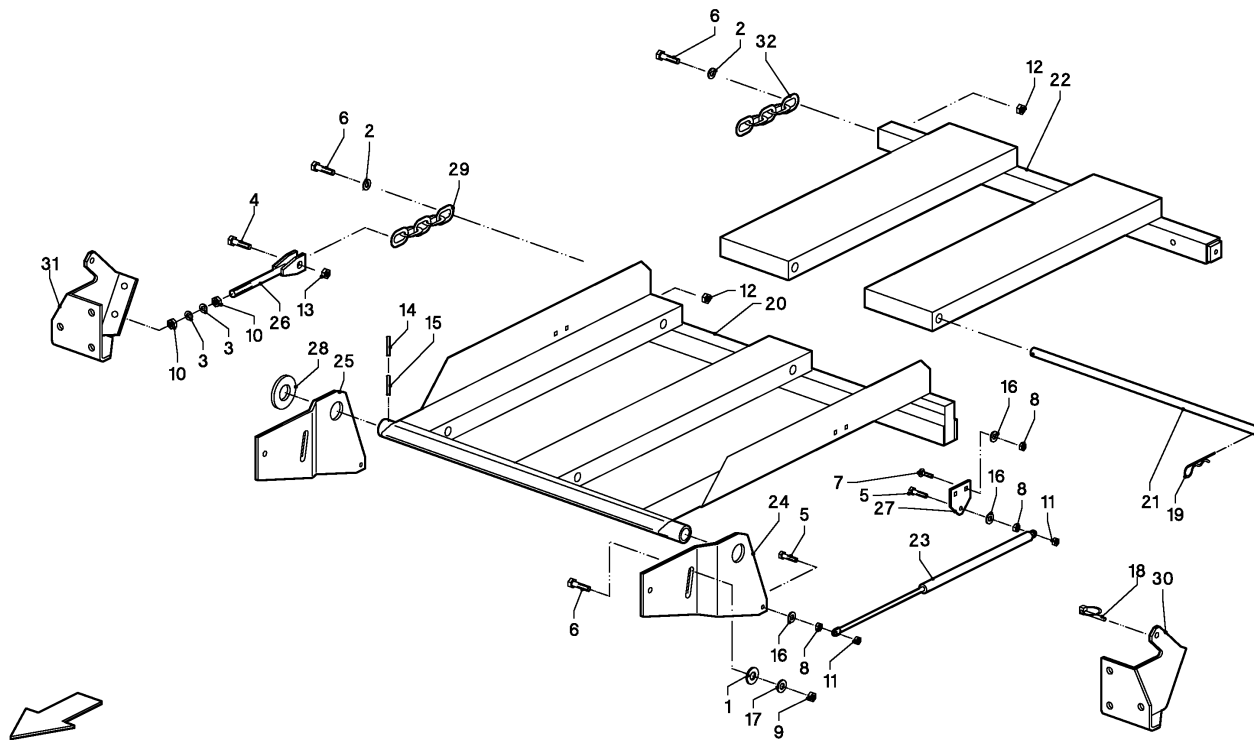
SPMVG000494



# LB 8200 / CHAMBER, BALE



PosNo.	Part No.	Qty.	Description	Remark
1	VR11955021	2	AXLE	
2	VG18601320V	4	SPRING, TENSION	
3	VG18601321V	1	SPRING, TENSION	
4	VGGB18K0	2	SUPPORT	
5	VGGR0245K0	1	BEAM	
6	VGGR0247K0	2	BEAM	
7	VGGR244K0	2	PLATE	
8	KG00641461	6	CARRIAGE BOLT M10X25 8.8	
9	KG01000861	4	FLANGED BOLT M8X25	
10	KG01267461	6	WASHER M10	
11	VRR0034993	3	AXLE	
12	VRR0210682	2	BRACKET	
13	VRR0244182	1	GUARD, PROTECT.	
14	VRR0244582	1	GUARD, PROTECT.	
15	VRR0305282	1	SUPPORT	
16	VRR0431082	2	CYLINDER	d=70
17	VRR0516082	1	CYLINDER	d=80
18	VRR0642982	2	CHAMBER	
19	VRR0653482	2	PROFILE	
20	VRR0653582	1	PROFILE	
21	VRR0653882	2	PLATE	
22	VRR0676982	2	BRACE	
23	VRR0800082	2	WALL, SIDE,	
24	VR31018150	6	WASHER	
25	KG00474361	6	HEX. SCREW M10X30 8.8	
26	KG00476461	6	HEX. SCREW M12X25 8.8	
27	KG00641861	4	CARRIAGE BOLT M10X45 8.8	
28	KG00641961	4	CARRIAGE BOLT M10X50 8.8	
29	KG01000161	4	FLANGED BOLT M6X12	
30	KG01052061	8	HEX. NUT M10 8	
31	KG01068861	10	LOCK NUT M10 10	
32	KG01068961	6	LOCK NUT M12 10	
33	KG01252761	1	SPLIT PIN 5X36 ST	
34	VGND3147V	14	WASHER	
35	VGND3148V	6	WASHER	
36	VRR0446501	1	POCHETTE JOINTS	

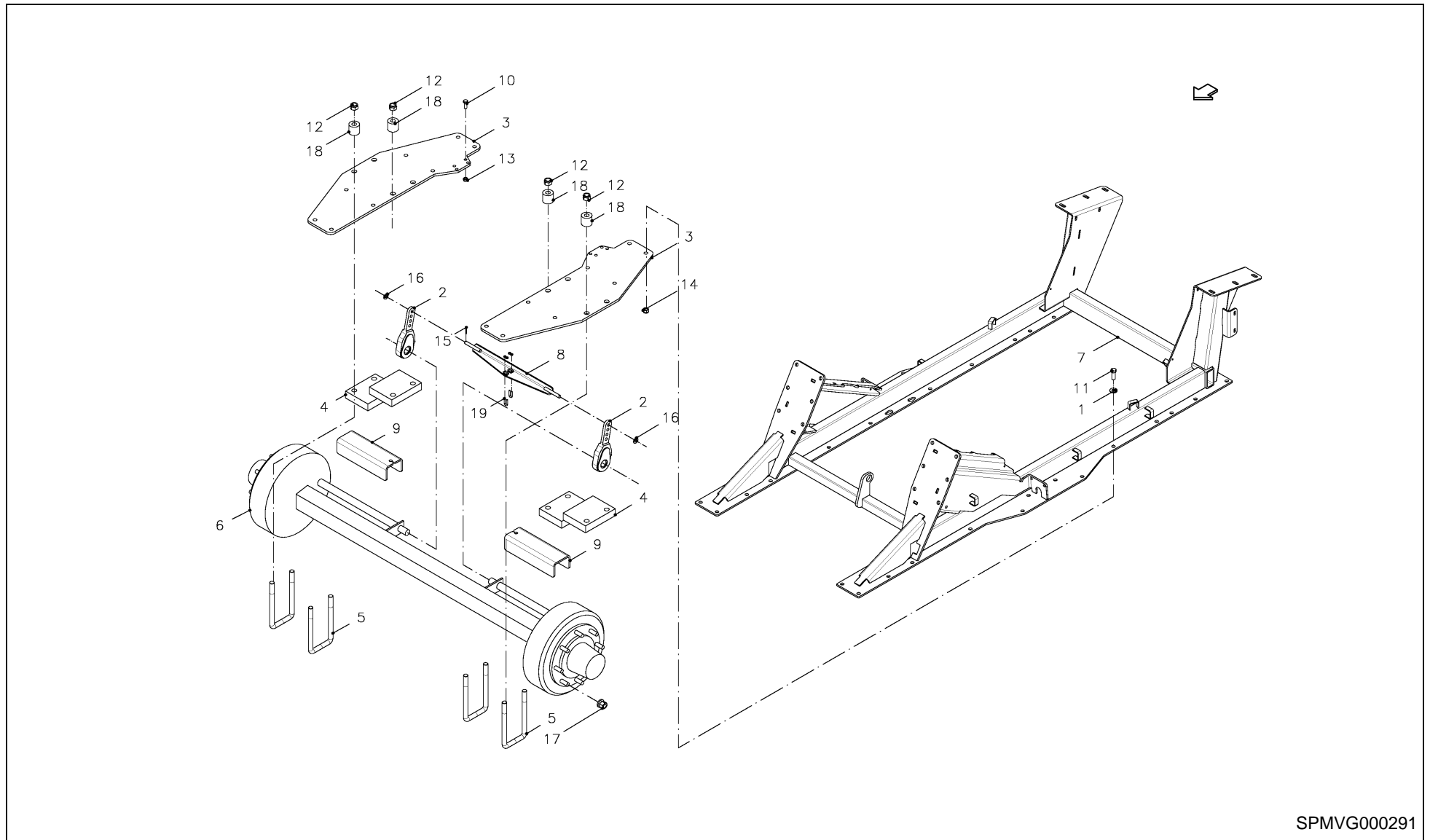




## LB 8200 / ROLLER CHUTE

PosNo.	Part No.	Qty.	Description	Remark
1	VG13925033V	2	RING	
2	VR13972004	4	WASHER	
3	VG37129064V	8	WASHER, BELLEVILLE	
4	KG00362061	4	HEX. BOLT M16X55 8.8	
5	KG00472461	4	HEX. SCREW M8X40 8.8	
6	KG00476661	6	HEX. SCREW M12X35 8.8	
7	KG00639061	4	CARRIAGE BOLT M8X20 8.8	
8	KG01051961	4	HEX. NUT M8 8	
9	KG01052161	2	HEX. NUT M12 8	
10	KG01052361	8	HEX. NUT M16 8	
11	KG01068761	4	LOCK NUT M8 10	
12	KG01068961	4	LOCK NUT M12 10	
13	KG01069161	4	LOCK NUT M16 10	
14	KG01190062	2	TENSION PIN 6X70	
15	KG01194262	2	TENSION PIN 10X60	
16	VGND3146V	4	CIRCLIP	
17	VGND3148V	4	WASHER	
18	VGND9001V	2	LINCH PIN 8MM	
19	VGPZ11V	2	SPRING CLIP	
20	VRR0038082	1	RAMP, BALE	
21	VRR0038182	1	AXLE	
22	VRR0038582	1	RAMP, BALE	
23	VRR0345701	2	SPRING, GAS	
24	VRR0481082	1	BRACE	
25	VRR0481182	1	BRACE	
26	VRR0481693	4	TENSIONNER	
27	VRR0482182	2	PLATE	
28	VRR0572593	2	RING	
29	VRR0579001	2	CHAIN	
30	VRR0685782	1	BRACE, LH	
31	VRR0685882	1	BRACE, RH	
32	VRR0701501	2	CHAIN	

# LB 8200 / UNDERCARRIAGE

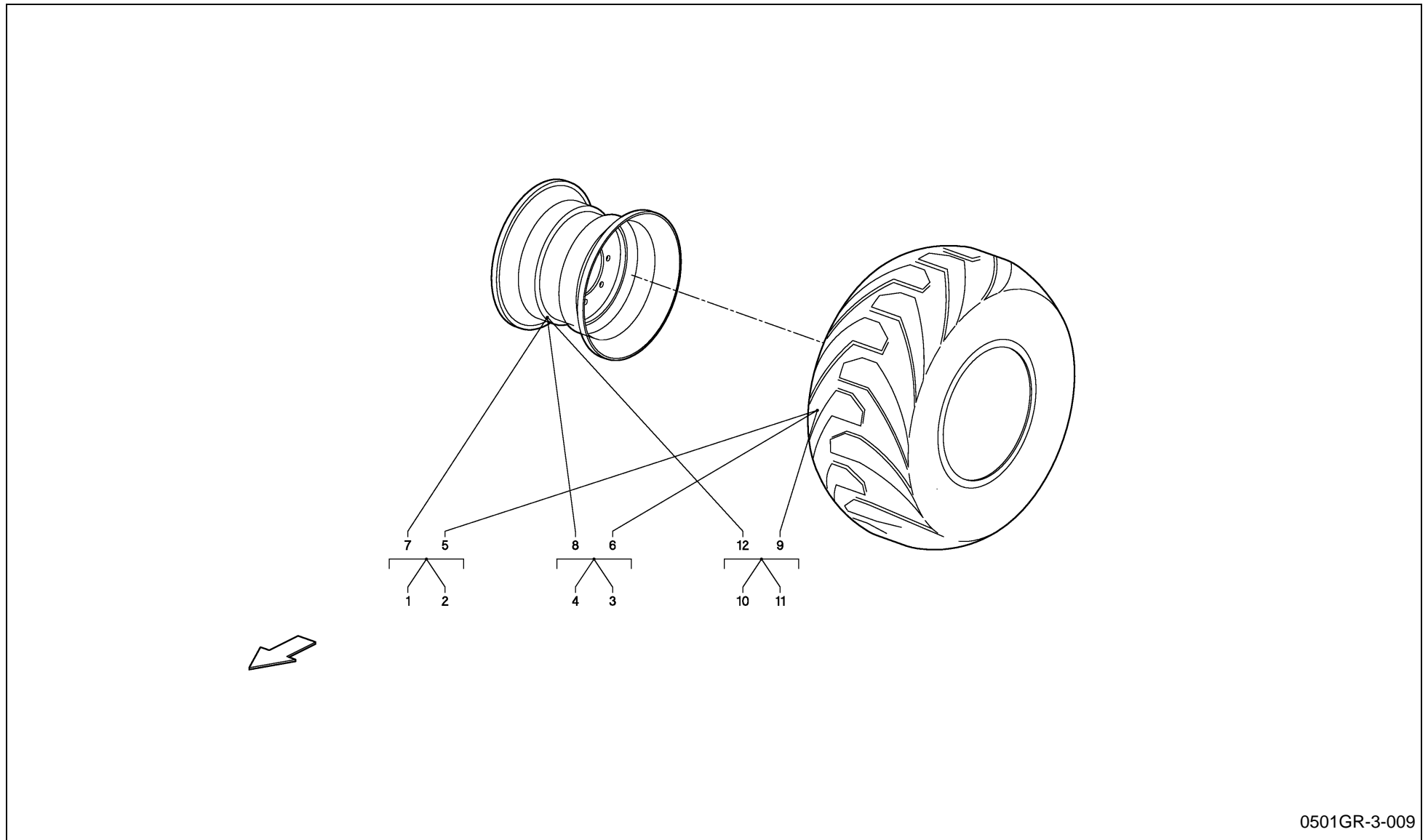


SPMVG000291



## LB 8200 / UNDERCARRIAGE

PosNo.	Part No.	Qty.	Description	Remark
1	VEGH233V	16	RING	
2	VGGP001663	2	LEVER	
3	VGGP1060K0	2	PLATE	
4	VGGP1061K0	4	PLATE	
5	VGGP1065K0	4	BRACE	
6	VGGR00251K0	1	AXLE	
7	VGGR0254K0	1	SUBFRAME	
8	VGGR0266K0	1	LEVER	
9	VGGR252K0	2	PLATE	
10	KG00476661	4	HEX. SCREW M12X35 8.8	
11	KG00480361	16	HEX. SCREW M16X45 8.8	
12	KG01840661	8	NUT, LOCK	
13	KG01068961	4	LOCK NUT M12 10	
14	KG01069161	16	LOCK NUT M16 10	
15	KG01251561	2	SPLIT PIN 4X25 ST	
16	KG01267661	2	WASHER M14	
17	VRR0459601	24	NUT	
18	VRR0717393	8	SLEEVE	
19	VGND9190V	2	CLAMP, CABLE	

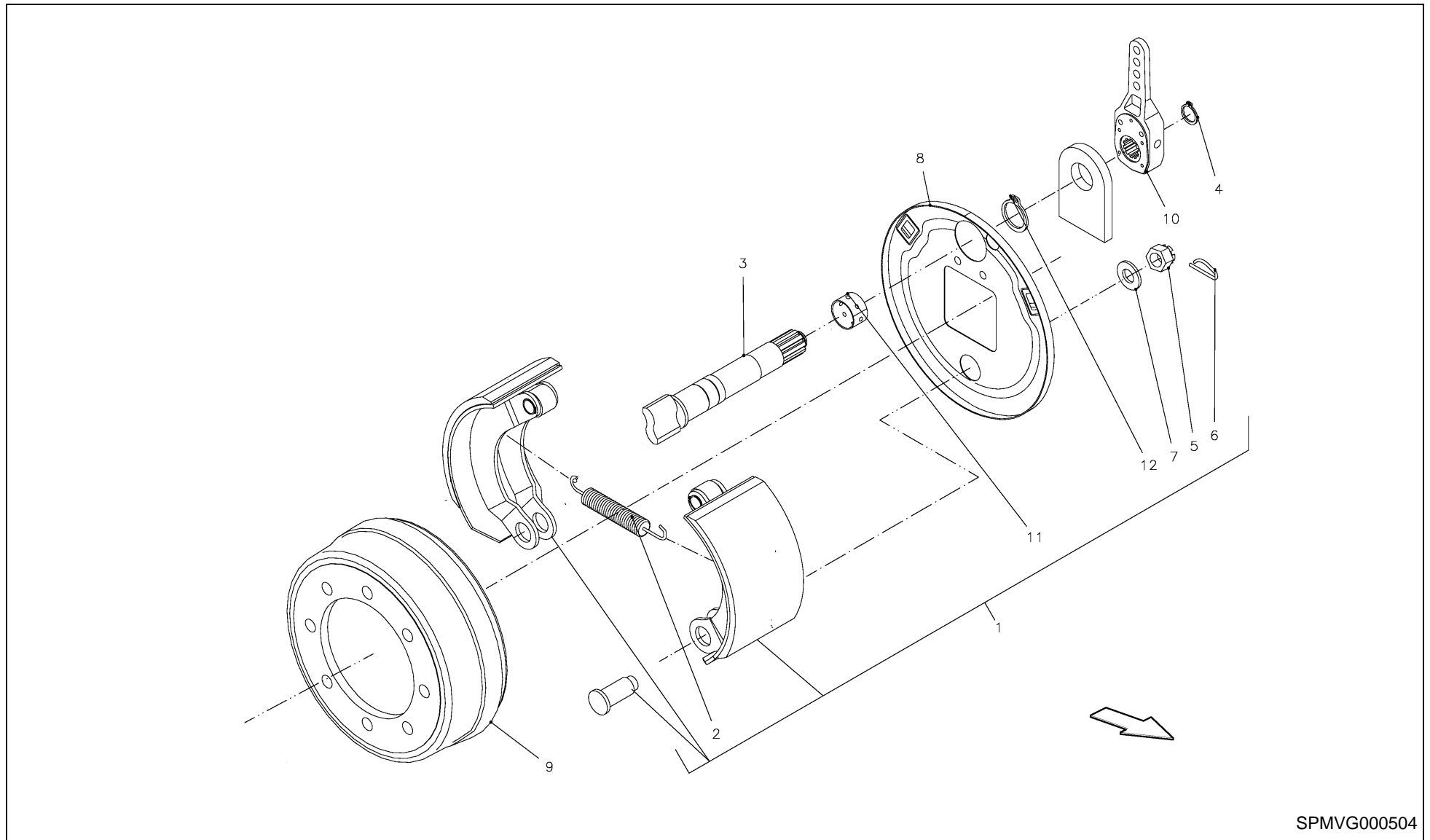


0501GR-3-009

# LB 8200 / WHEEL SET



PosNo.	Part No.	Qty.	Description	Remark
1	VRR0104101	1	WHEEL, CPL., L	500/60-22.5
2	VRR0104201	1	WHEEL, CPL., R	500/60-22.5
3	VRR0180401	1	WHEEL, CPL., R	600/50-22.5
4	VRR0180501	1	WHEEL, CPL., L	600/50-22.5
5	VRR0247301	2	WHEEL-COVER	500/60-22.5
6	VRR0247401	2	WHEEL-COVER	600/50-22.5
7	VRR0247701	2	RIM	16x22.5 ET-0
8	VRR0247801	2	RIM	20x22.5 ET-65
9	VRR0483501	2	WHEEL-COVER	710/40-22.5
10	VRR0552401	1	WHEEL, CPL. LH	710/40-22.5
11	VRR0552501	1	WHEEL, CPL., R.....	710/40-22.5
12	VRR0564401	2	RIM	24x22.5



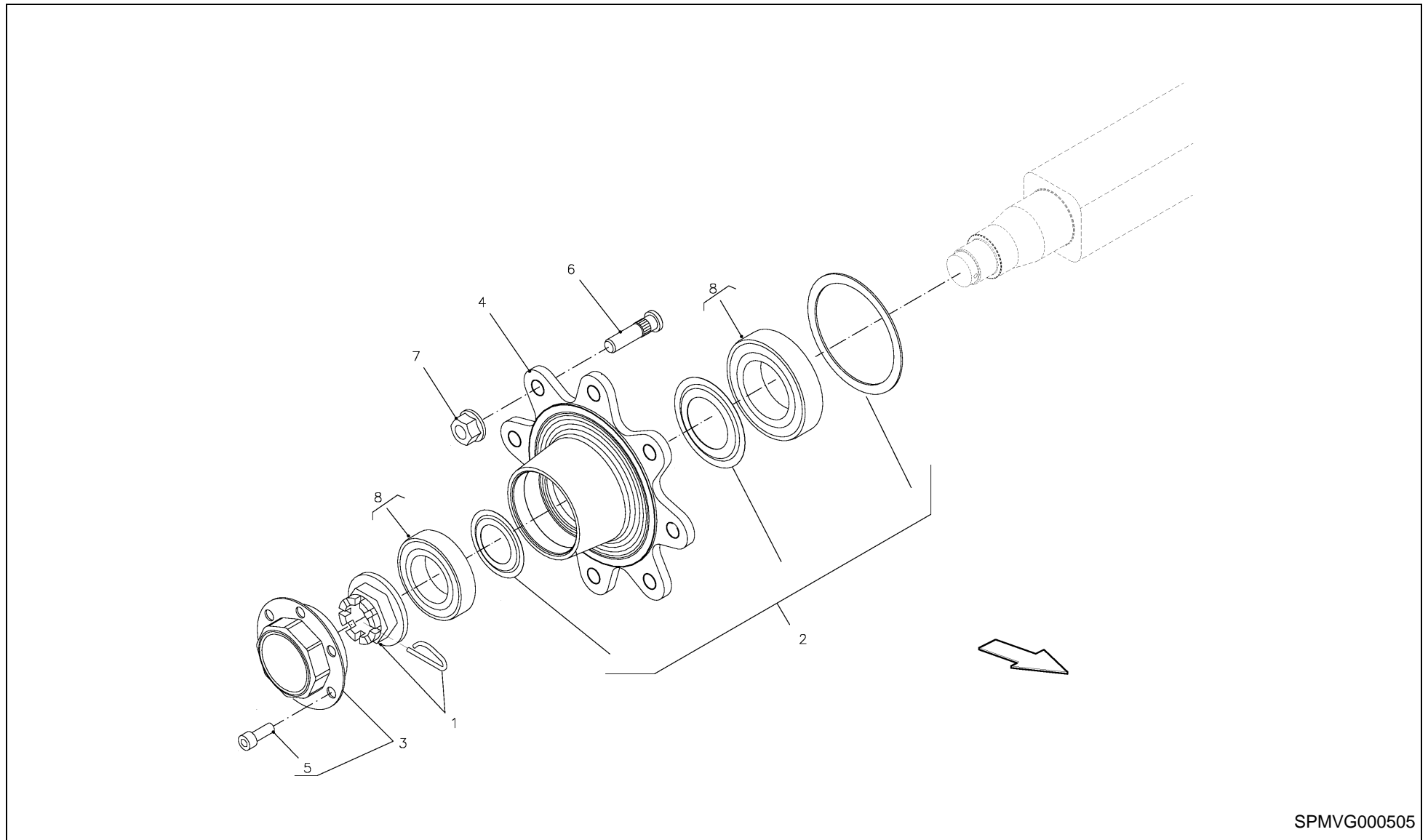
SPMVG000504



# LB 8200 / SINGLE AXLE



PosNo.	Part No.	Qty.	Description	Remark
1	VGGR00470	2	BRAKE DRUM	
2	VGGR00471	2	SPRING SET	
3	VGGR469	2	BRAKE AXLE	
4	VGGP1448	2	SEEGER-RING	
5	VGGP1451	2	NUT, SLOTTED	
6	VGGP1452	2	SPRING CLIP	
7	VGGP1453	2	RING	
8	VGGR472	2	BRAKE PLATE	
9	VGGR468	2	BRAKE DRUM	
10	VGGP001663	2	LEVER	
11	VRR0584011	2	RING	
12	VRR0584018	2	SEEGER-RING	



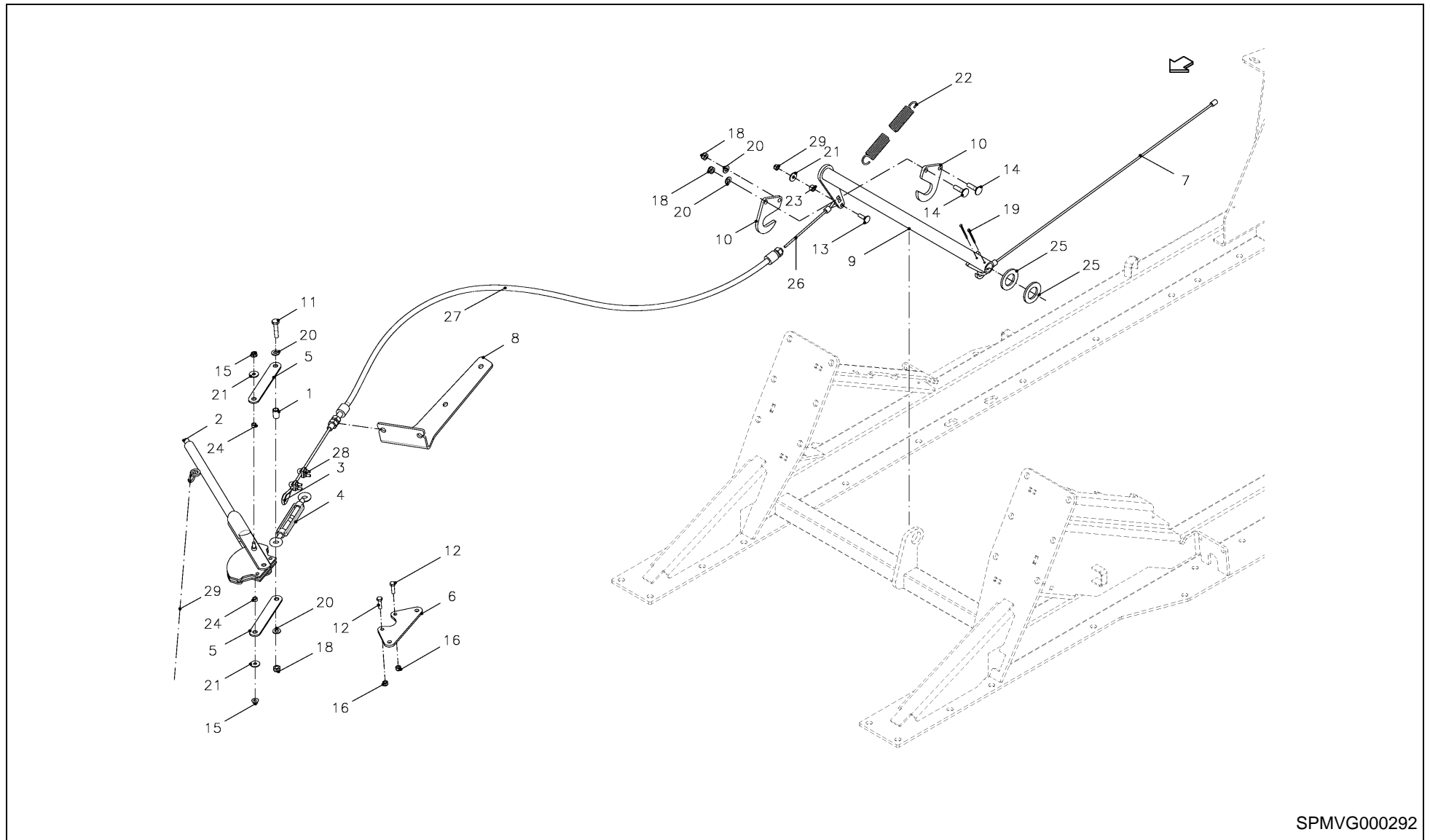
SPMVG000505

# LB 8200 / SINGLE AXLE



PosNo.	Part No.	Qty.	Description	Remark
1	VGGR00466	1	NUT, CASTLE ASSY.	
2	VGGR00463	1	SEALS, SET	
3	VGGR00465	1	LID	
4	VGGR467	1	HUB, WHEEL	
5	KG00544861	1	CHEESE HEAD SCREW M8X12 8.8	
6	VGGR00452	1	BOLT, WHEEL	
7	VGGR00451	1	NUT, WHEEL	
8	VGGR00464	1	CUSHION, ASSY	

# LB 8200 / PARKING BRAKE



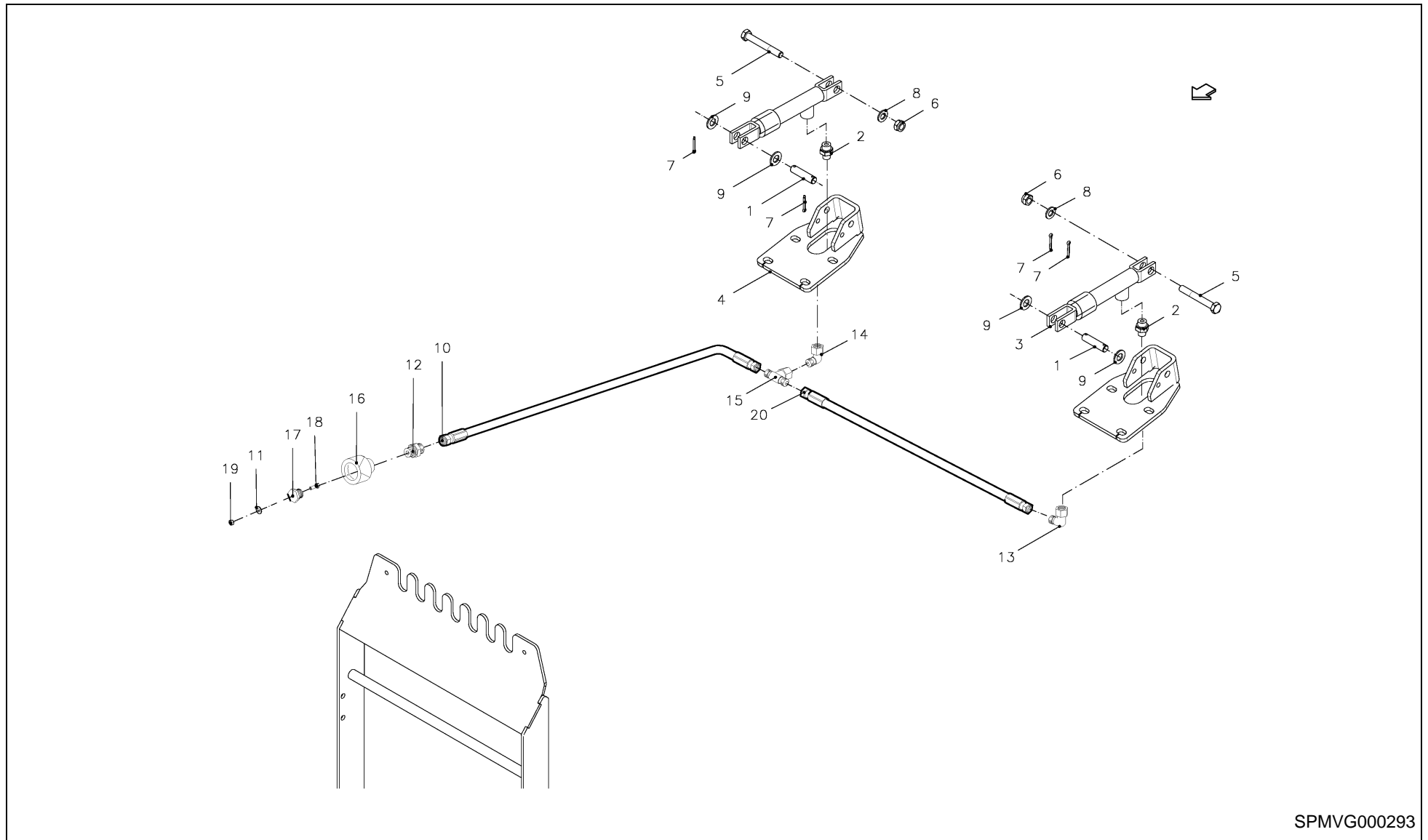
SPMVG000292

# LB 8200 / PARKING BRAKE



PosNo.	Part No.	Qty.	Description	Remark
1	VR13975008	1	SLEEVE	
2	VF16650192	1	HAND BRAKE LEVER	
3	VR32104520	1	FASTENER	
4	VR32104530	1	TENSIONNER	
5	VGGB252K0	2	PLATE	
6	VGGB328K0	1	PLATE	
7	VGGP1003	1	CABLE	
8	VGGP1246K0	1	SUPPORT	
9	VGGR0264K0	1	LEVER	
10	VGGR408V	2	HOOK	
11	KG00355461	1	HEX. BOLT M10X50 8.8	
12	KG00472261	2	HEX. SCREW M8X30 8.8	
13	KG00639261	1	CARRIAGE BOLT M8X30 8.8	
14	KG00641761	2	CARRIAGE BOLT M10X40 8.8	
15	KG01061261	2	LOCK NUT M8 8	
16	KG01068761	2	LOCK NUT M8 10	
17	KG01068761	1	LOCK NUT M8 10	
18	KG01068861	3	LOCK NUT M10 10	
19	KG01252061	2	SPLIT PIN 4X50 ST	
20	KG01267461	4	WASHER M10	
21	VGND3030V	3	WASHER, PLAIN	
22	VGZ415K0	1	SPRING, TENSION	
23	VRR0049102	1	SLEEVE	
24	VRR0213393	2	SLEEVE	
25	VGTP517V	2	RING	
26	VGGP1004	1	CABLE	
27	VGGP1002	1	TUBE, CABLE	
28	VGND9190V	2	CLAMP, CABLE	
29	VGND9935	1	CORD, POLYETHYLENE 5500MM LG.	

# LB 8200 / BRAKE, SINGLE AXLE



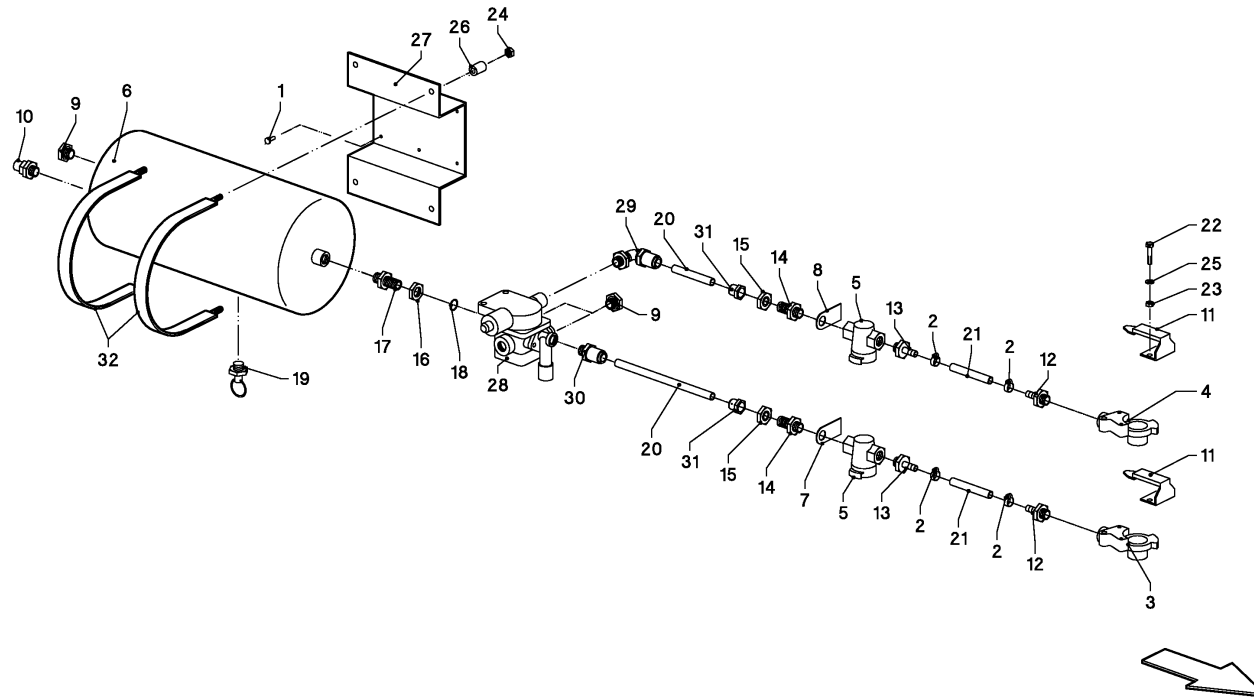
SPMVG000293



## LB 8200 / BRAKE, SINGLE AXLE

PosNo.	Part No.	Qty.	Description	Remark
1	VR11945015	2	PIN	
2	VG38271200V	2	STUD, REDUCING	
3	VGGB00253K0	2	CYLINDER	
4	VGGP01079K0	2	HOLDER	
5	KG00358261	2	HEX. BOLT M12X90 8.8	
6	KG01068961	2	LOCK NUT M12 10	
7	KG01251561	4	SPLIT PIN 4X25 ST	
8	KG01267561	2	WASHER M12	
9	KG01267661	4	WASHER M14	
10	VR18501251	1	HOSE	
11	VR31432400	1	CIRCLIP	
12	VGND92035V	1	STUD COUPLING	
13	VG38272200V	1	ELBOW COUPLING	
14	VR38272201	1	COUPLING	
15	VR38273201	1	TE.CONNECTOR	
16	VR38278015	1	QUICK-DISCONNECT COUPLING	
17	VR38279105	1	COVER, DUST	
18	KG00466261	1	HEX. SCREW M4X20 8.8	
19	KG01051561	1	HEX. NUT M4 8	
20	VRR0175502	1	HOSE	

# LB 8200 / VALVE UNIT



0501GR-3-012

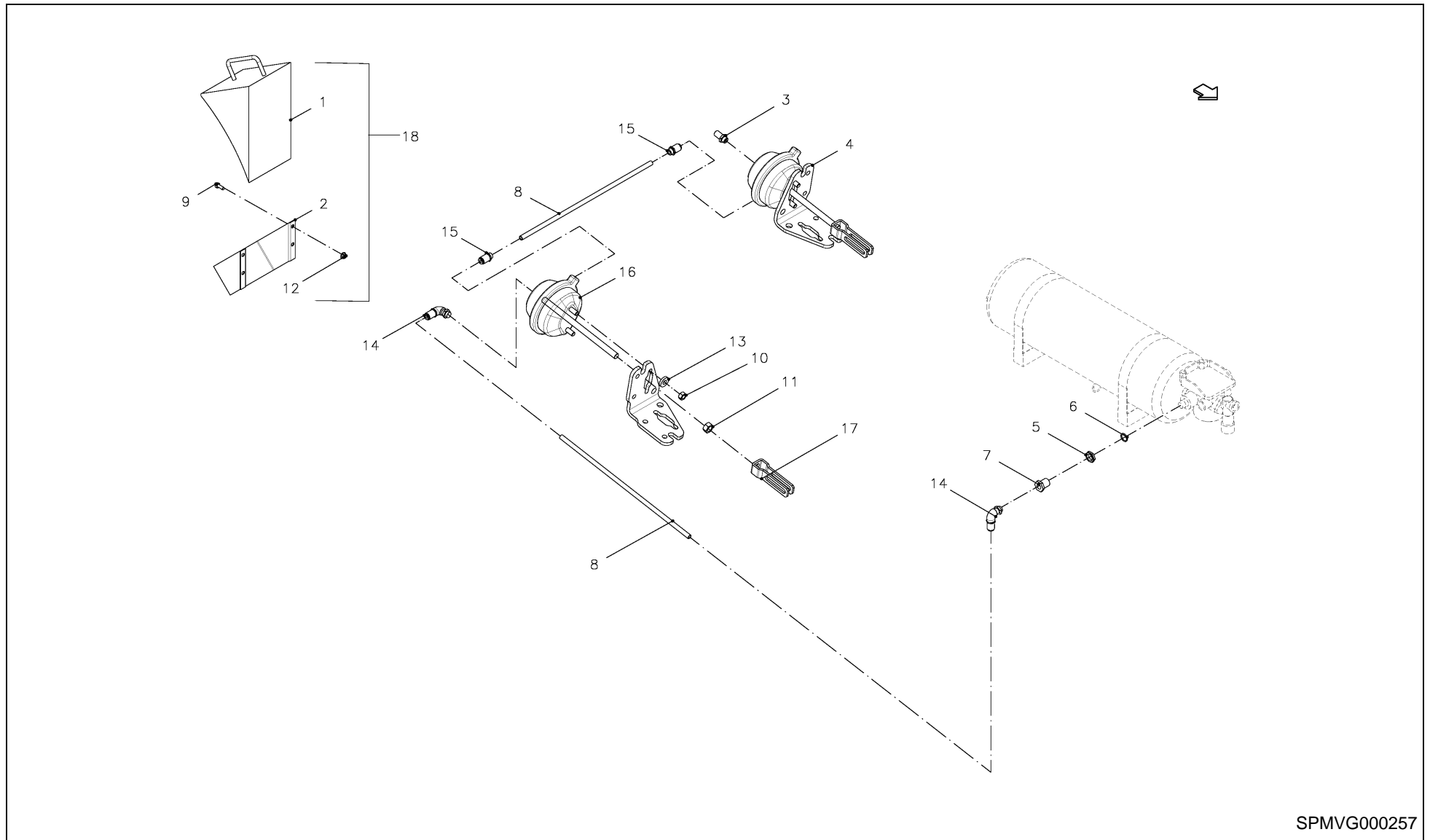


# LB 8200 / VALVE UNIT



PosNo.	Part No.	Qty.	Description	Remark
1	VGND90029	6	BLIND RIVET	
2	VR37749025	4	CABLE TIE	
3	VR38222301	1	COUPLING	
4	VR38222302	1	CONNECTOR	
5	VR38222304	2	FILTER	
6	VR38222306	1	TANK, BOTTOM	
7	VR38222309	1	PLATE	
8	VR38222310	1	PLATE	
9	VR38222324	2	COVEHOOD	
10	VR38222331	1	CONNECTOR	
11	VR38222333	2	BRACE	
12	VGGP377	2	STUD, HOSE	
13	VGGP379	2	STUD, HOSE	
14	VGGP380	2	COUPLING	
15	VGGP381	2	NUT	
16	VGGP385	1	NUT	
17	VGGP386	1	COUPLING	
18	VGGP387	1	O-RING	
19	VGGP388	1	VALVE	
20	VGGP588		HOSE	GIVE LENGTH WHEN ORDERING
21	VGGP590		HOSE	GIVE LENGTH WHEN ORDERING
22	KG00471961	2	HEX. SCREW M8X20 8.8	
23	KG01051961	2	HEX. NUT M8 8	
24	KG01068861	4	LOCK NUT M10 10	
25	VGND3146V	2	CIRCLIP	
26	VRR0048193	4	SLEEVE	
27	VRR0226382	1	BRACE	
28	VRR0535801	1	VALVE UNIT, PNEUM.	
29	VRR0546101	1	COUPLING	
30	VRR0546201	1	COUPLING	
31	VRR0546501	2	COUPLING	
32	VRR0548482	2	BRACE	

# LB 8200 / BRAKE, SINGLE AXLE

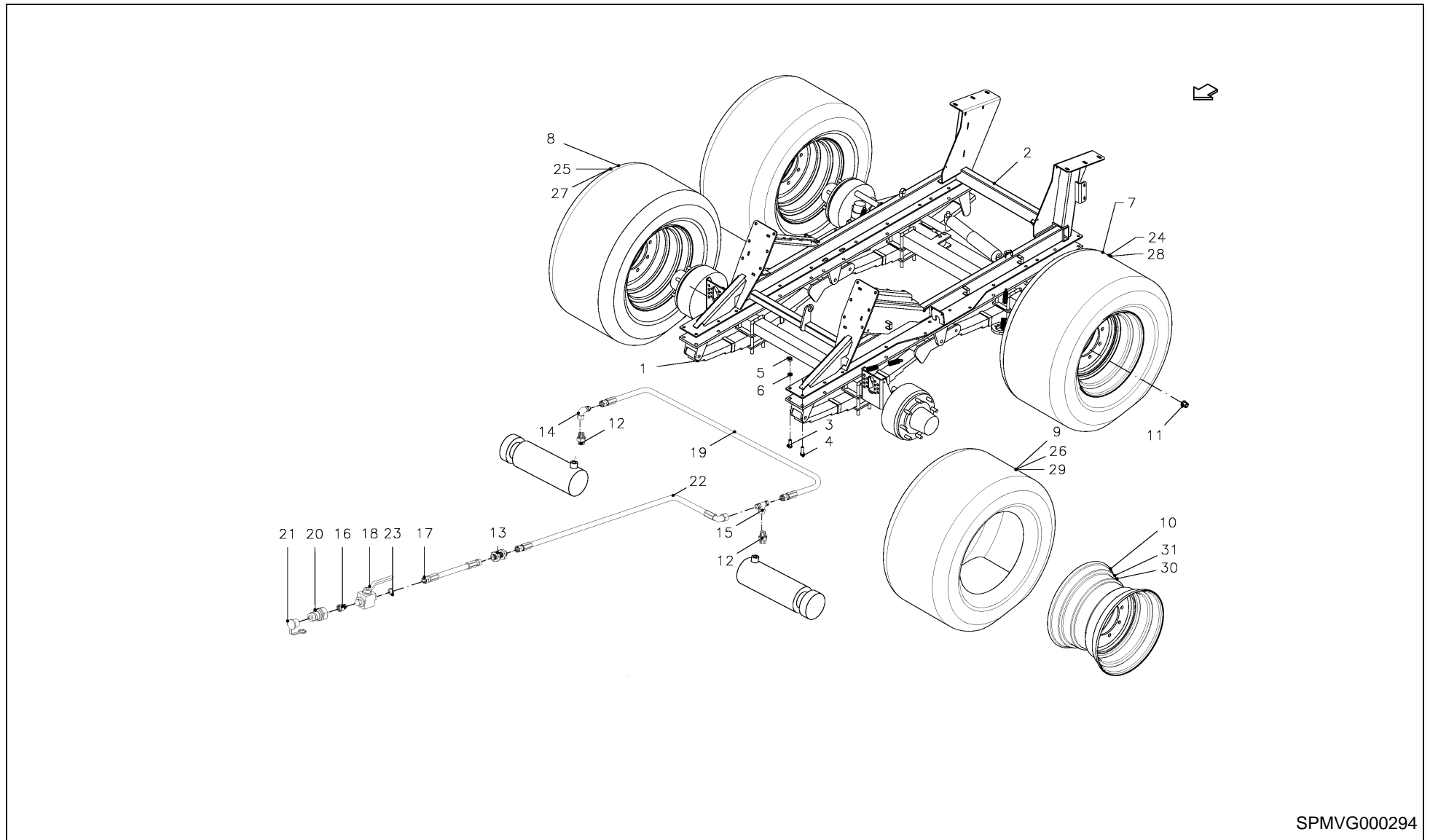


SPMVG000257



## LB 8200 / BRAKE, SINGLE AXLE

PosNo.	Part No.	Qty.	Description	Remark
1	VR32103730	2	BLOCK	
2	VR32104590	2	BRACE	
3	VR38222332	1	CONNECTOR	
4	VGGP1063K0	2	SUPPORT	
5	VGGP385	1	NUT	
6	VGGP387	1	O-RING	
7	VGGP493	1	STUD, REDUCING	
8	VGGP588		HOSE	GIVE LENGTH WHEN ORDERING
9	KG00471961	4	HEX. SCREW M8X20 8.8	
10	KG01040761	4	HEX. NUT M12X1.5 8	
11	KG01040961	2	HEX. NUT M16X1.5 8	
12	KG01061261	4	LOCK NUT M8 8	
13	VGND3148V	4	WASHER	
14	VRR0546101	2	COUPLING	
15	VRR0546501	2	COUPLING	
16	VRR0205001	2	CYLINDER	
17	VRR0205101	2	YOKE	
18	VGGP00993	1	CHOCK ASSY SET	



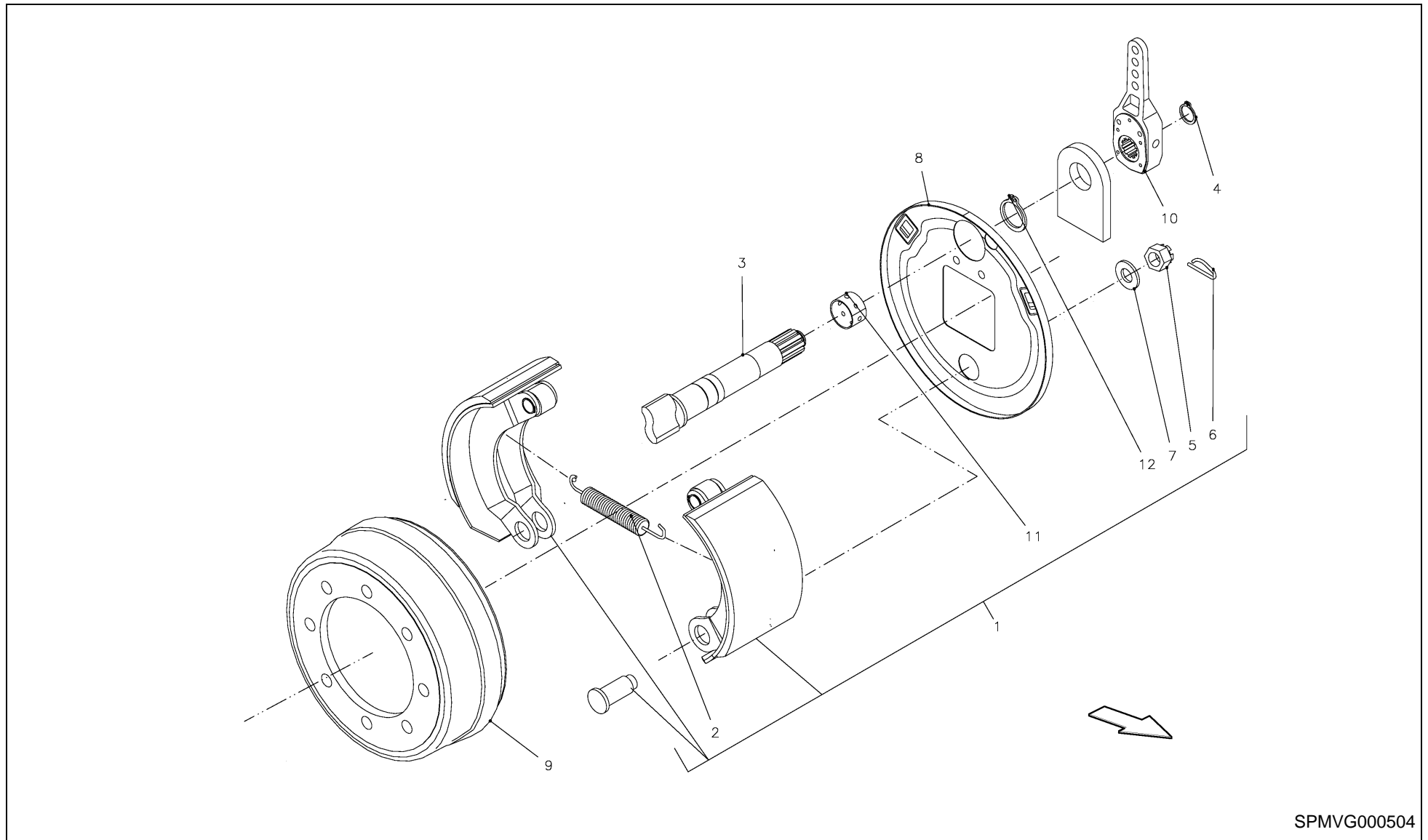
SPMVG000294



## LB 8200 / FRAME, CPL., TANDEM

PosNo.	Part No.	Qty.	Description	Remark
1	VGGR00401K0	1	TANDEM STEERING-	
2	VGGR0254K0	1	SUBFRAME	
3	KG00480361	28	HEX. SCREW M16X45 8.8	
4	KG00480461	4	HEX. SCREW M16X50 8.8	
5	KG01069161	32	LOCK NUT M16 10	
6	KG01267761	32	WASHER M16	
7	VGND97055	2	WHEEL, CPL.	560/45-22.5
8	VGND97056	2	WHEEL, CPL.	560/45-22.5
9	VGND97057	4	TYRE	560/45-22.5
10	VRR0247701	4	RIM	16X22.5
11	VRR0459601	32	NUT	
12	VG38271200V	2	STUD, REDUCING	
13	VG38271201V	1	COUPLING	
14	VG38272200V	1	ELBOW COUPLING	
15	VR38273201	1	TE.CONNECTOR	
16	VR38275401	1	COUPLING	
17	VRR0069801	1	HOSE	
18	VRR0069901	1	VALVE, SHUT-OFF	
19	VRR0175502	1	HOSE	
20	VRR0257801	1	QUICK-DISCONNECT COUPLING	
21	VRR0465701	1	COVEHOOD	
22	VRR0519801	1	HOSE	
23	VGND3156	1	RING, SEALING	
24	VGND97059	1	WHEEL, CPL. LH	500/55-20
25	VGND97060	1	WHEEL, CPL. RH	500/55-20
26	VGND97058	1	TYRE	500/55-20
27	VGND97062	1	WHEEL, CPL. RH	16.0/70-20
28	VGND97061	1	WHEEL, CPL. LH	16.0/70-20
29	VGND97063	1	AIR CHAMBER	16.0/70-20
30	VGGP1514	1	RIM	16.0x20
31	VGGP1654	1	RIM	14.0x20

# LB 8200 / BRAKE DRUM, TANDEM

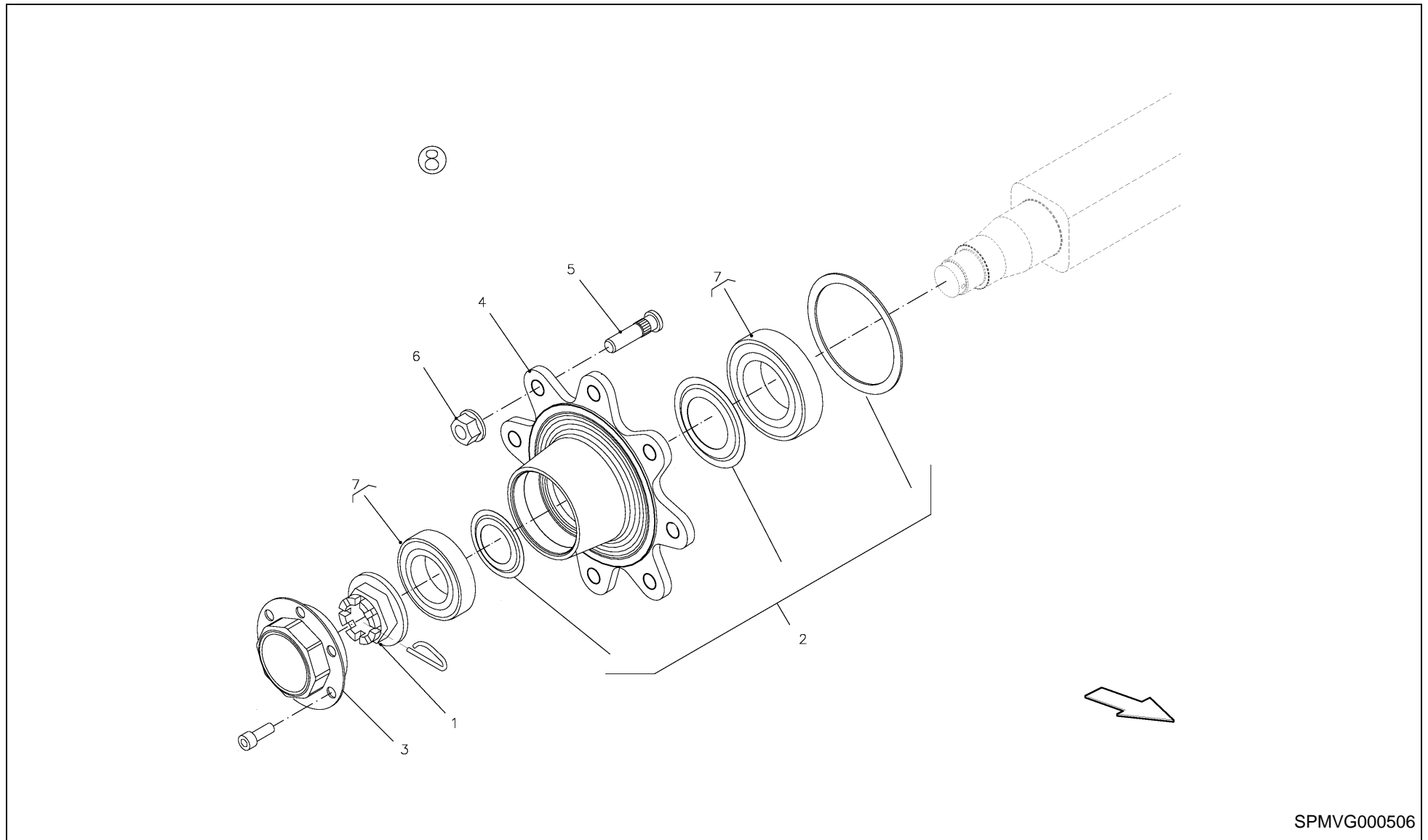


SPMVG000504

# LB 8200 / BRAKE DRUM, TANDEM



PosNo.	Part No.	Qty.	Description	Remark
1	VGGR00442	4	SET BRAKESHOES	
2	VGGR00443	1	SPRING SET	
2	VGGP1455	2	BRAKE AXLE	Rear axle
3	VGGR445	2	BRAKE AXLE	Front axle
4	VGGP1448	4	SEEGER-RING	
5	VGGP1451	4	NUT, SLOTTED	
6	VGGP1452	4	SPRING CLIP	
7	VGGP1453	4	RING	
8	VGGR461	4	BRAKE PLATE	
9	VGGR444	4	BRAKE DRUM	
10	VGGP001663	4	LEVER	
11	VRR0584011	4	RING	
12	VRR0584018	4	SEEGER-RING	



SPMVG000506

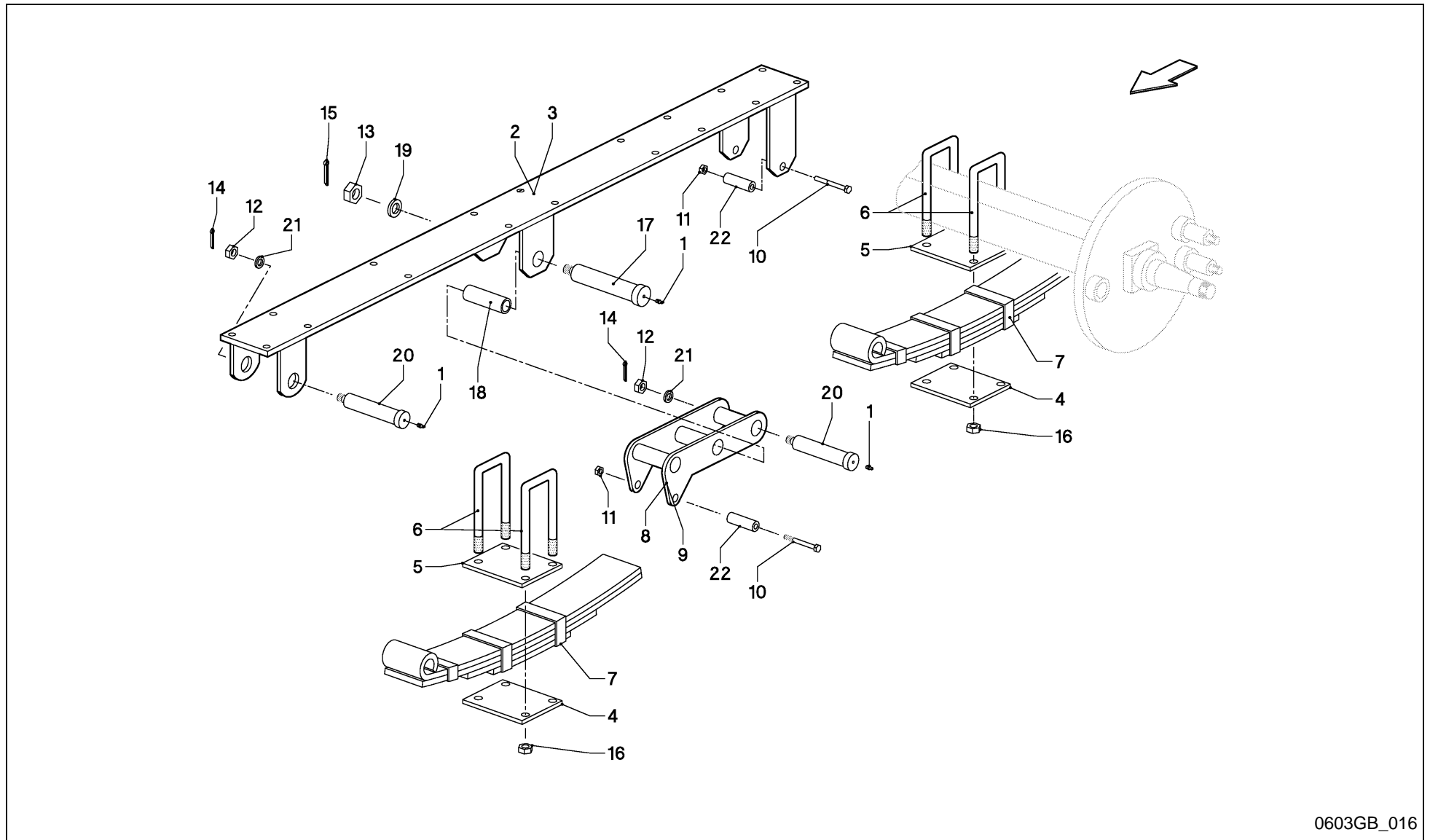


# LB 8200 / FIXED AXLE, TANDEM



PosNo.	Part No.	Qty.	Description	Remark
1	VGGR00466	1	NUT, CASTLE ASSY.	
2	VGGR00447	1	SEALS, SET	
3	VGGR00448	1	LID ASSY	
4	VGGR449	2	HUB, WHEEL	
5	VGGR00452	1	BOLT, WHEEL	
6	VGGR00451	1	NUT, WHEEL	
7	VGGR00453	2	CUSHION, ASSY	
8	VGGR00450	1	AXLE	

# LB 8200 / SPRING SET, TANDEM



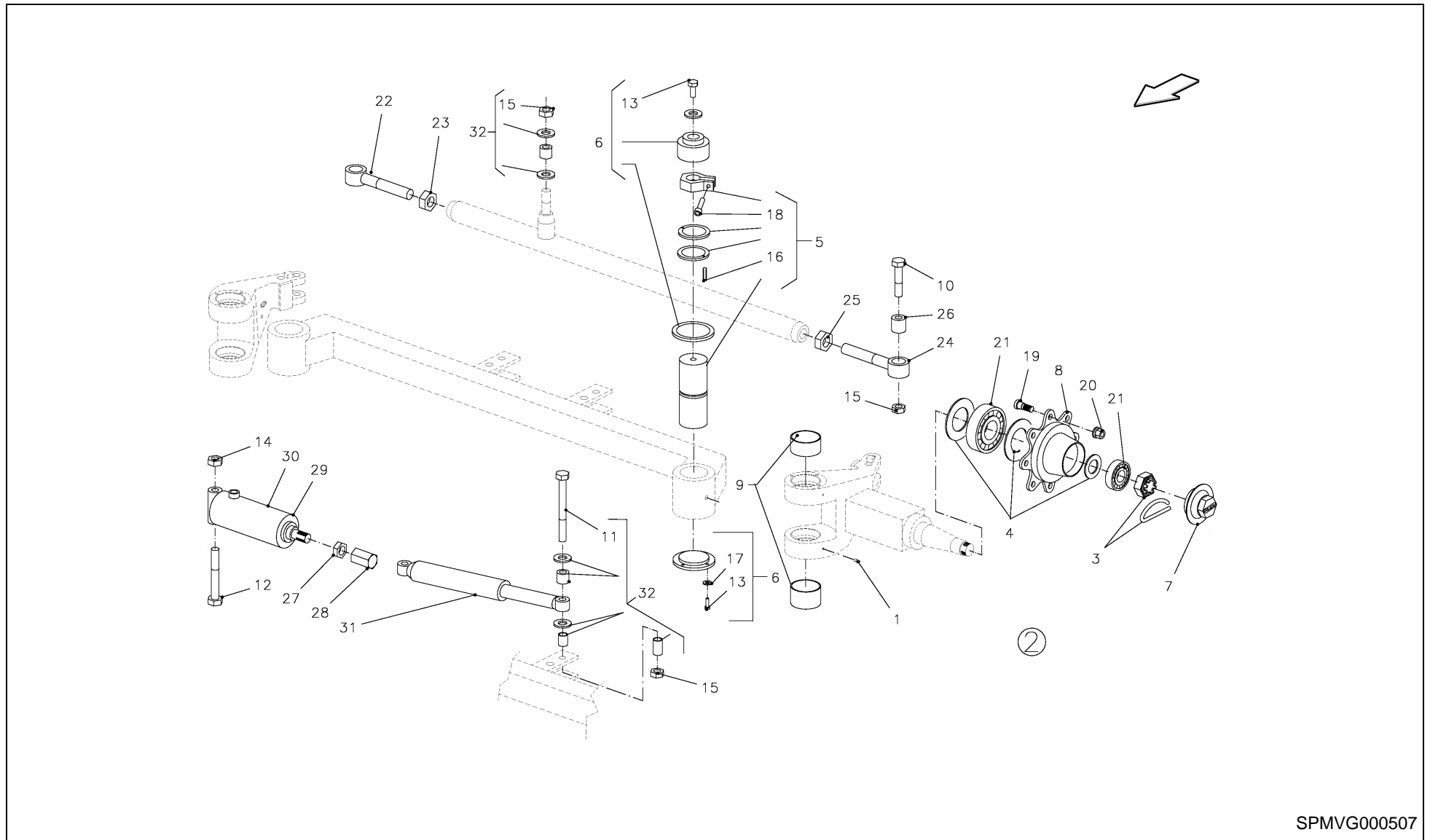
0603GB\_016

# LB 8200 / SPRING SET, TANDEM



PosNo.	Part No.	Qty.	Description	Remark
1	VG38229007	6	GREASE NIPPLE	
2	VGGP01473	1	BEAM, LH	
3	VGGP01474	1	BEAM, RH	
4	VGGP1198	4	PLATE	
5	VGGP1199	4	PLATE	
6	VGGR458	8	BRACE	
7	VGGP1467	4	SPRING, LEAF	
8	VGGP1468	1	SUPPORT, RH	
9	VGGP1469	1	SUPPORT, LH	
10	KG00358561	4	HEX. BOLT M12X120 8.8	
11	KG01068961	4	LOCK NUT M12 10	
12	KG01085361	4	CASTLE NUT M18 8	
13	KG01085761	2	CASTLE NUT M27 8	
14	KG01252761	4	SPLIT PIN 5X36 ST	
15	KG01253861	2	SPLIT PIN 6.3X45 ST	
16	KG01840461	16	NUT, LOCK	
17	VRR0551437	2	AXLE	
18	VRR0551438	2	SLEEVE	
19	VRR0551439	2	WASHER, PLAIN	
20	VRR0551441	4	AXLE	
21	VRR0551442	4	WASHER, PLAIN	
22	VRR0551443	4	PIPE, SPACING	

# LB 8200 / STEERING AXLE, TANDEM



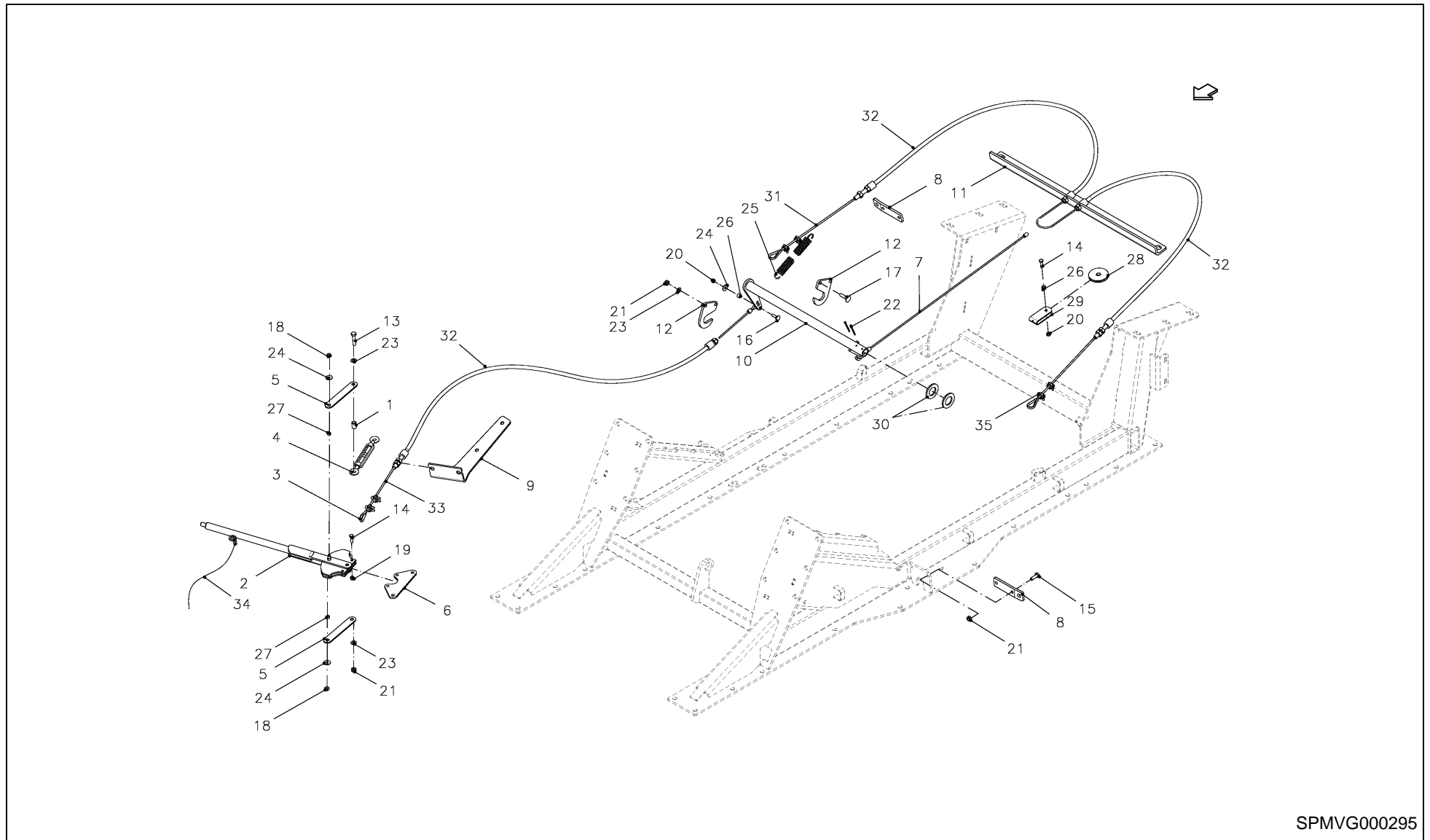
SPMVG000507

# LB 8200 / STEERING AXLE, TANDEM



PosNo.	Part No.	Qty.	Description	Remark
1	VGND98026V	4	GREASE NIPPLE	
2	VGGR00460	1	SHAFT ASSY	
3	VGGR00446	1	NUT, CASTLE ASSY.	
4	VGGR00447	1	SEALS, SET	
5	VGGR00456	2	SHAFT, CPL.	
6	VGGR00455	1	SLEEVE, ROTATION	
7	VGGR00448	1	LID ASSY	
8	VGGR449	2	HUB, WHEEL	
9	VGGR00454	1	SLEEVE, ROTATION	
10	KG00341061	2	HEX. BOLT M20X100 10.9	
11	KG00367961	1	HEX. BOLT M20X200 8.8	
12	KG00369761	2	HEX. BOLT M22X120 8.8	
13	KG00471561	10	HEX. SCREW M8X12 8.8	
14	KG01840761	2	NUT, LOCK	
15	KG01069261	3	NUT, LOCK	
16	KG01188962	4	TENSION PIN 6X12	
17	KG01267361	10	WASHER M8	
18	VGND1408V	2	ALLEN BOLT	
19	VGGR00452	1	BOLT, WHEEL	
20	VGGR00451	1	NUT, WHEEL	
21	VGGR00453	2	CUSHION, ASSY	
22	VRR0551518	1	BOLT	
23	VRR0551519	1	NUT	
24	VRR0551520	1	BOLT	
25	VRR0551521	1	NUT	
26	VRR0551523	2	BLOCK	
27	VRR0551525	2	NUT	
28	VRR0551526	2	NUT	
29	VRR0551527	1	REPAIR SET	
30	VRR0572101	2	CYLINDER	
31	VRR0572201	1	ABSORBER, SHOCK	
32	VGGR00457	1	SLEEVE ASSY	

# LB 8200 / PARKING BRAKE, TANDEM



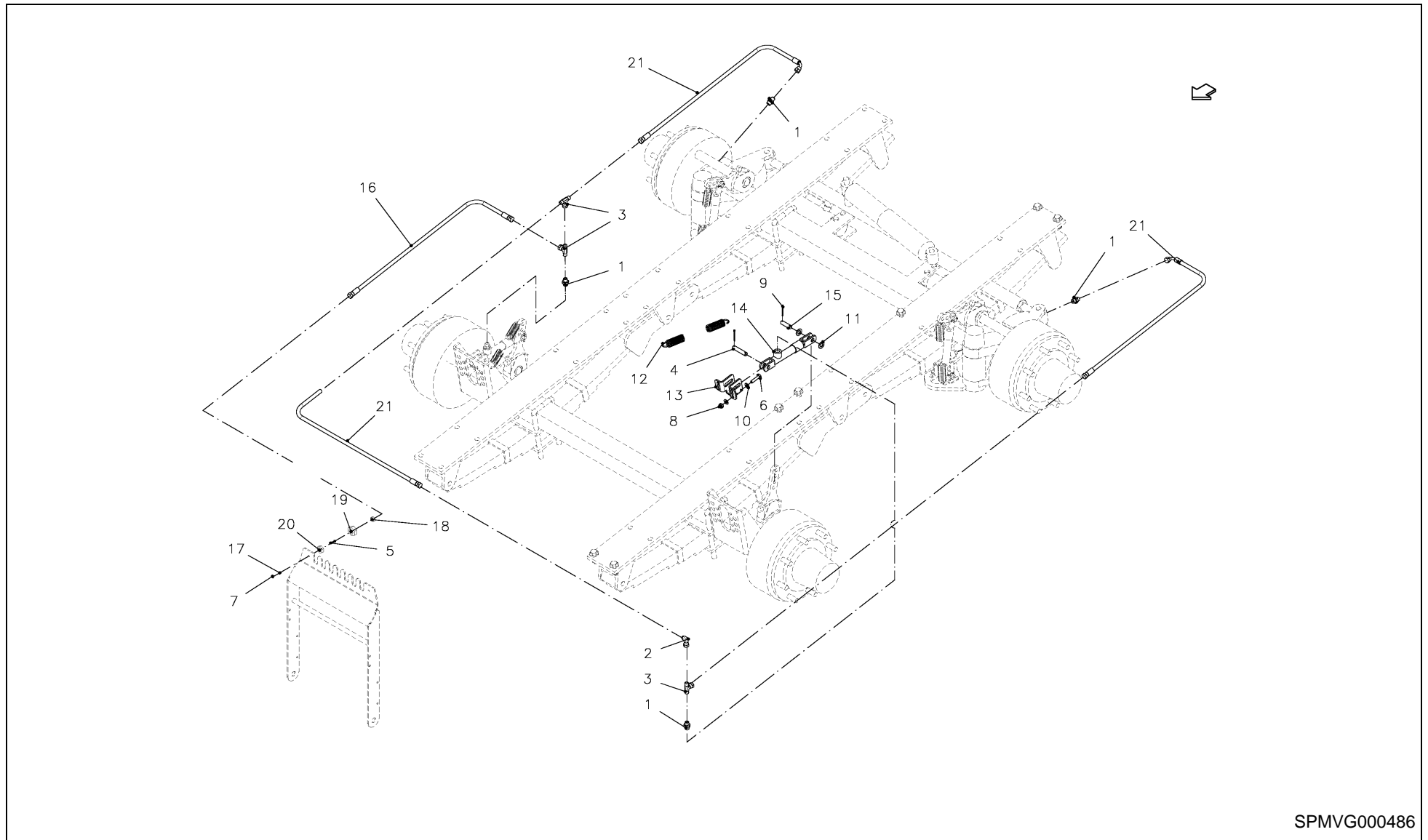
SPMVG000295



## LB 8200 / PARKING BRAKE, TANDEM

PosNo.	Part No.	Qty.	Description	Remark
1	VR13975008	1	SLEEVE	
2	VF16650192	1	HAND BRAKE LEVER	
3	VR32104520	3	FASTENER	
4	VR32104530	1	TENSIONNER	
5	VGGB252K0	2	PLATE	
6	VGGB328K0	1	PLATE	
7	VGGP1003	1	CABLE	
8	VGGP1232K0	2	STRIP	
9	VGGP1246K0	1	SUPPORT	
10	VGGR0264K0	1	LEVER	
11	VGGR263K0	1	PROFILE, ANGLE	
12	VGGR408V	2	HOOK	
13	KG00355461	1	HEX. BOLT M10X50 8.8	
14	KG00472261	4	HEX. SCREW M8X30 8.8	
15	KG00474361	4	HEX. SCREW M10X30 8.8	
16	KG00639261	1	CARRIAGE BOLT M8X30 8.8	
17	KG00641761	2	CARRIAGE BOLT M10X40 8.8	
18	KG01061261	2	LOCK NUT M8 8	
19	KG01068761	1	LOCK NUT M8 10	
20	KG01068761	2	LOCK NUT M8 10	
21	KG01068861	3	LOCK NUT M10 10	
22	KG01252061	2	SPLIT PIN 4X50 ST	
23	KG01267461	4	WASHER M10	
24	VGND3030V	3	WASHER, PLAIN	
25	VGPZ415K0	1	SPRING, TENSION	
26	VRR0049102	3	SLEEVE	
27	VRR0213393	2	SLEEVE	
28	VRR0527093	1	ROLLER, CAM	
29	VRR0804882	1	BRACE	
30	VGTP517V	2	RING	
31	VGGP1000	1	CABLE	
32	VGGP1002	3	TUBE, CABLE	
33	VGGP1004	1	CABLE	
34	VGND9935	1	CORD, POLYETHYLENE 5500MM LG.	
35	VGND9190V	6	CLAMP, CABLE	

# LB 8200 / BRAKE, TANDEM



SPMVG000486

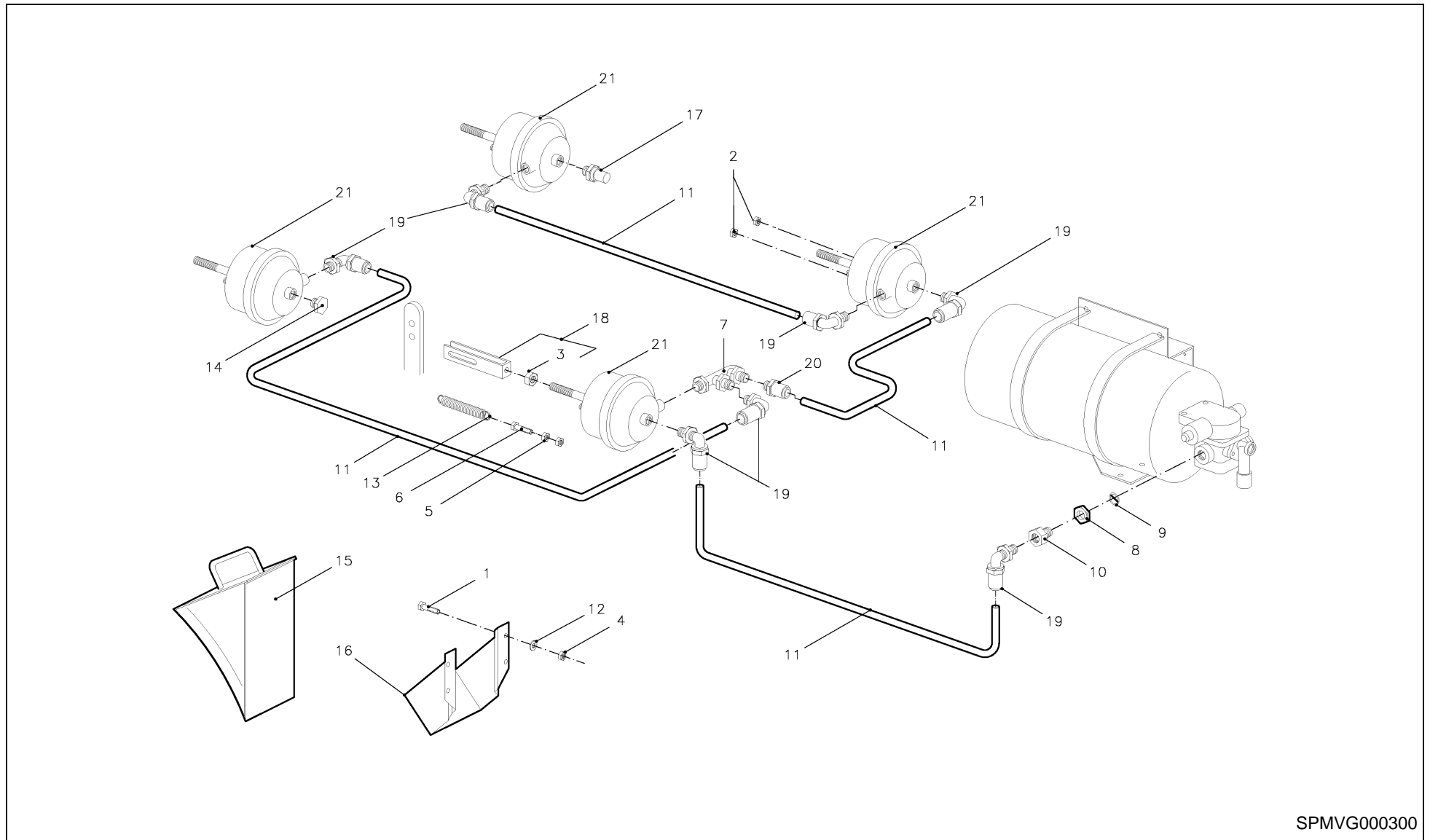


# LB 8200 / BRAKE, TANDEM



PosNo.	Part No.	Qty.	Description	Remark
1	VG38271200V	4	STUD, REDUCING	
2	VG38272200V	1	ELBOW COUPLING	
3	VR38273201	3	TE.CONNECTOR	
4	VGGP1011V	4	PIN	
5	KG00466261	1	HEX. SCREW M4X20 8.8	
6	KG00474561	12	HEX. SCREW M10X40 8.8	
7	KG01051561	1	HEX. NUT M4 8	
8	KG01068861	12	LOCK NUT M10 10	
9	KG01251961	16	SPLIT PIN 4X40 ST	
10	KG01267461	24	WASHER M10	
11	KG01267661	16	WASHER M14	
12	VGPZ415K0	4	SPRING, TENSION	
13	VRR0834082	4	SUPPORT	
14	VRR0834182	4	CYLINDER	
15	VGWA1749V	4	PIN	
16	VR18501251	1	HOSE	
17	VR31432400	1	CIRCLIP	
18	VGND92035V	1	STUD COUPLING	
19	VR38278015	1	QUICK-DISCONNECT COUPLING	
20	VR38279105	1	COVER, DUST	
21	VG18501136	3	HOSE	

# LB 8200 / BRAKE, TANDEM



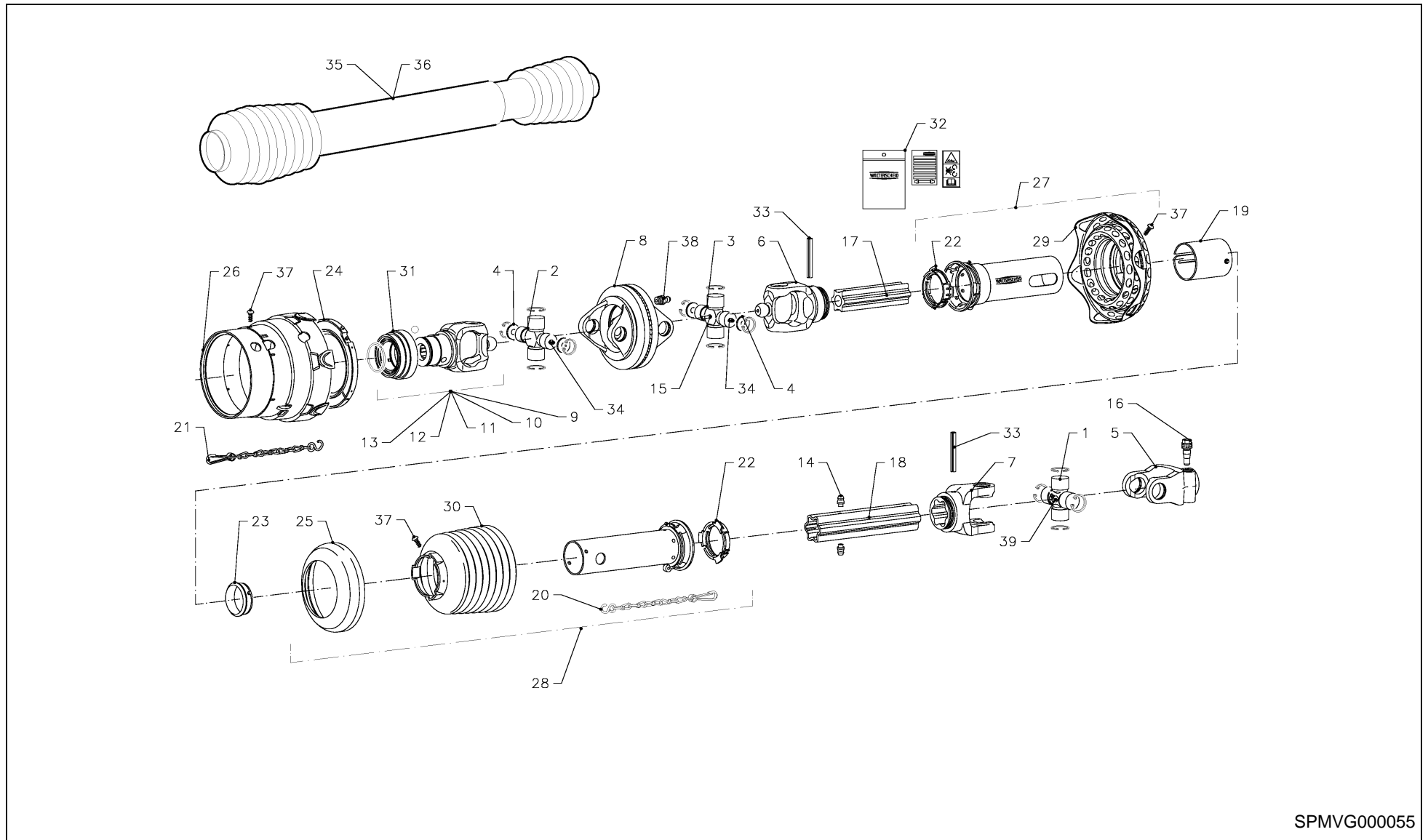
SPMVG000300

# LB 8200 / BRAKE, TANDEM



PosNo.	Part No.	Qty.	Description	Remark
1	KG00471961	4	HEX. SCREW M8X20 8.8	
2	KG01040761	8	HEX. NUT M12X1.5 8	
3	KG01040961	4	HEX. NUT M16X1.5 8	
4	KG01051961	4	HEX. NUT M8 8	
5	KG01061161	4	LOCK NUT M6 8	
6	VGCZ104V	2	EYE BOLT M6X50	
7	VGGP1253	1	STUD COUPLING	
8	VGGP385	1	NUT	
9	VGGP387	1	O-RING	
10	VGGP493	1	STUD, REDUCING	
11	VGGP588		HOSE	GIVE LENGTH WHEN ORDERING
12	VGND3146V	4	CIRCLIP	
13	VGPZ415K0	4	SPRING, TENSION	
14	KG01028761	1	PLUG M16X1.5 5.8	
15	VR32103730	2	BLOCK	
16	VR32104590	2	BRACE	
17	VR38222332	1	CONNECTOR	
18	VRR0205101	1	YOKE	
19	VRR0546101	7	COUPLING	
20	VRR0546501	1	COUPLING	
21	VRR0834701	4	CYLINDER	

# LB 8200 / SHAFT, UNIV. JOINT

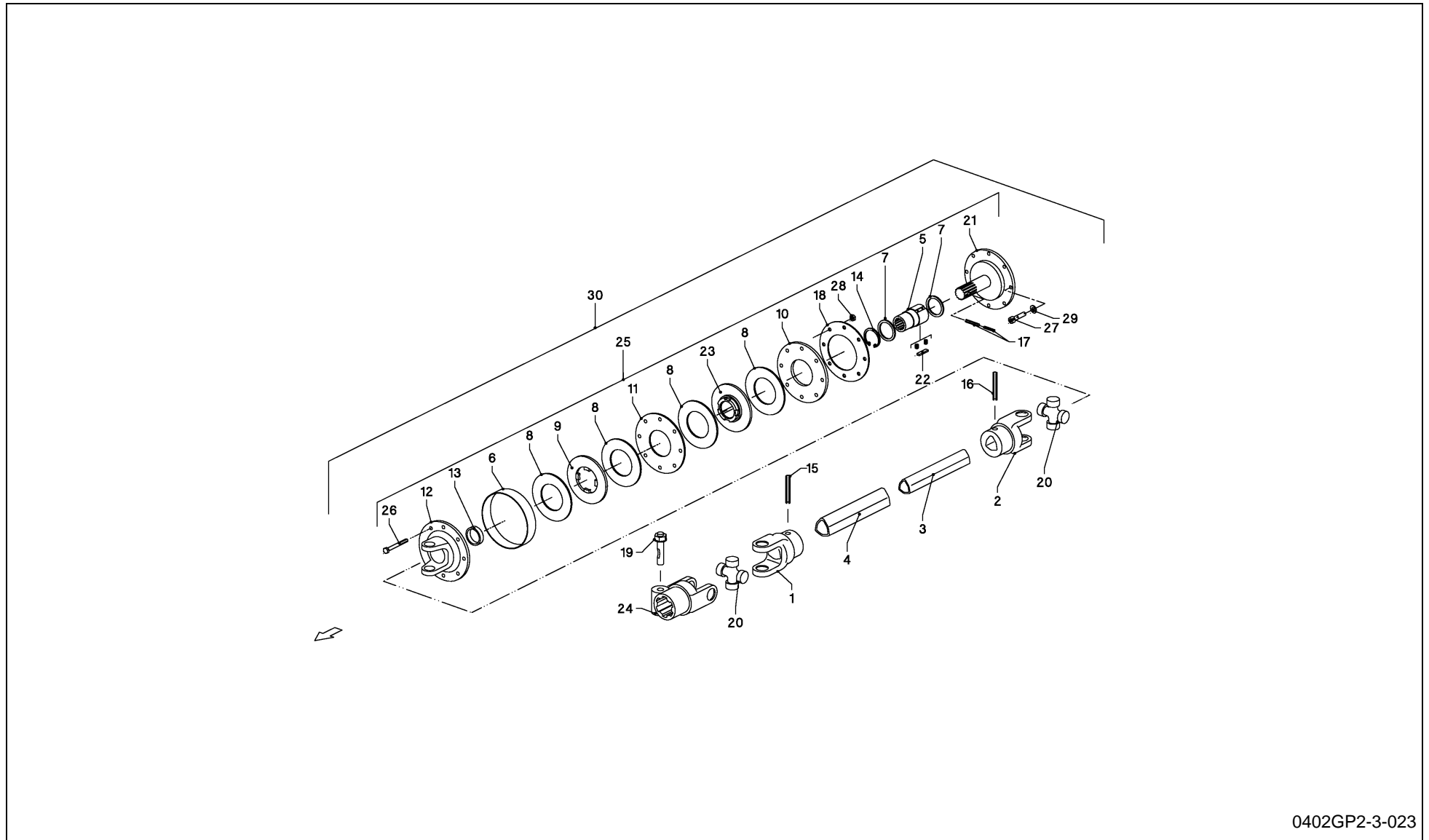


SPMVG000055



## LB 8200 / SHAFT, UNIV. JOINT

PosNo.	Part No.	Qty.	Description	Remark
1	VG36.00.00	1	KRUISGARNITUUR KPL.	
2	VG36.06.141	1	CROSS ASSY	
3	VG36.06.144	1	CROSS ASSY	
4	VG36.06.70	4	SCHIJF 31.95X2	
5	VG36.10.32	1	YOKE, QUICK-DISCONNECT	
6	VG36.13.116	1	YOKE, INBOARD	
7	VG36.14.100	1	GAFFEL RG2580-S5	
8	VG36.41.05	1	YOKE, DOUBLE	
9	VG36.83.130	1	YOKE, QUICK-DISCONNECT	
10	VG36.83.132	1	YOKE, QUICK-DISCONNECT	
11	VG36.84.10	1	YOKE	OPTION
12	VG36.84.12	1	YOKE	OPTION
13	VG36.10.117	1	YOKE, QUICK-DISCONNECT	OPTION
14	VG63.33.00	2	GREASE NIPPLE, DRIVE-IN 3/16	
15	VG63.34.01	1	GREASE NIPPLE	
16	VG65.12.06	1	CLAMPING CONE	
17	VG75.44.91	1	PIPE, PROFILE, COATED (1000 MM)	
18	VG75.45.170	1	PIPE S5	
19	VG80.63.112	1	AFDICHTBESCHERMING	
20	VG82.36.03	1	KETTING, BORG- L=400	
21	VG82.36.08	1	KETTING, BORG- L=600	
22	VG82.83.04	2	RING, GLIJ-	
23	VG82.83.107	1	RING, GLIJ-	
24	VG82.83.15	1	RING, GLIJ-	
25	VG82.85.03	1	RING, STEUN-	
26	VG85.01.03	1	GUARD	
27	VG85.202	1	BU.BESCHR.B.HELFTE SCH25-A?-RP	
28	VG85.204	1	BI.BESCHR.B.HELFTE SDH25-J?-RP	
29	VG85.25.62	1	GUARD	
30	VG85.26.08	1	BESCHERMKAP	
31	VGAGRASET123	1	SEAL SET	
32	VGAGRASET207	1	OPERATION MANUAL	
33	KG01194662	2	TENSION PIN 10X90	
34	VGND9004V	2	GREASE NIPPLE	
35	VGND94112	1	SHAFT, UNIV. JOINT	Z=6
36	VGND94113	1	SHAFT, UNIV. JOINT	Z=21
37	VG365305	10	SCREW	
38	VGND9813V	1	GREASE NIPPLE	
39	VGND98026V	1	GREASE NIPPLE	

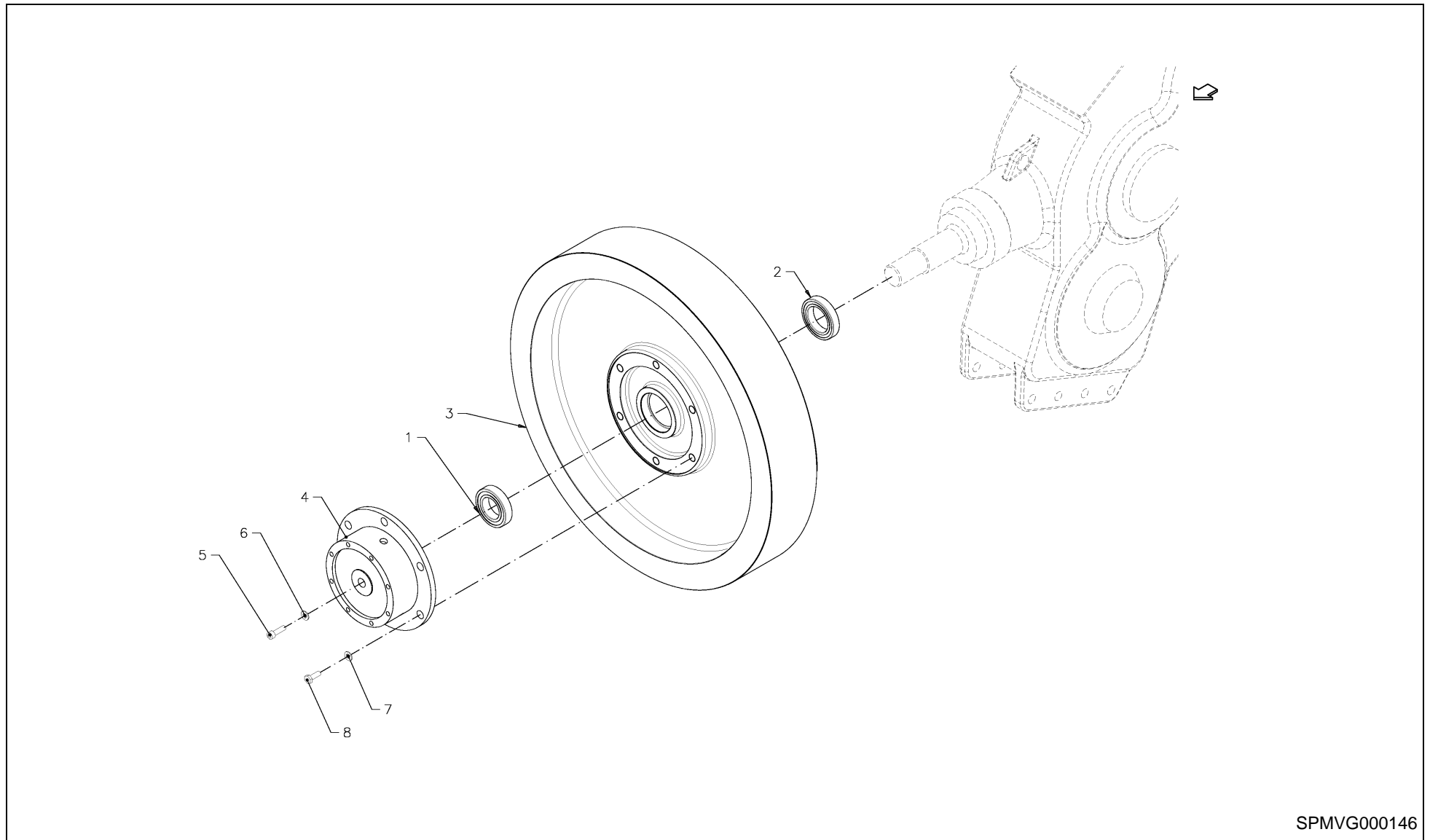


0402GP2-3-023



## LB 8200 / SHAFT, UNIV. JOINT

PosNo.	Part No.	Qty.	Description	Remark
1	VR204176851	1	YOKE	
2	VR204176852	1	YOKE	
3	VR225180412	1	PIPE, PROFILE, INNER	
4	VR225210412	1	PIPE, PROFILE, OUTER	
5	VR232843702	1	HUB	
6	VR240000219	1	PIPE, SPACING	
7	VR246000028	2	WASHER, PLAIN	
8	VR247006352	4	BRAKE LINING	
9	VR248840002	1	DISC	
10	VR248870006	1	DISC	
11	VR248870015	1	DISC	
12	VR253078403	1	FLANSCHGABEL GR.7 F.FN34	
13	VR258005330	1	PIPE, SPACING	
14	VR339001072	1	SEEGER-RING	
15	KG01194362	1	TENSION PIN 10X70	
16	KG01194262	1	TENSION PIN 10X60	
17	VR345015000	2	PIN, TENSION	
18	VR367003870	1	WASHER, PLAIN	
19	VN408000047	1	PIVOT	
20	VR412170004	2	CROSS ASSY	
21	VR415000054	1	AXLE	
22	VR421955001	3	PLATE	
23	VR427840103	1	DISC	
24	VR5090L3761	1	YOKE, QUICK-DISCONNECT	
25	VR686753901	1	CLUTCH ASSY, FRICTION 1450 NM	
26	KG00355861	8	HEX. BOLT M10X70 8.8	
27	KG00546961	8	CHEESE HEAD SCREW M10X30 8.8	
28	KG01068861	8	LOCK NUT M10 10	
29	VGND3147V	8	WASHER	
30	VRR0659101	1	SHAFT, UNIV. JOINT	



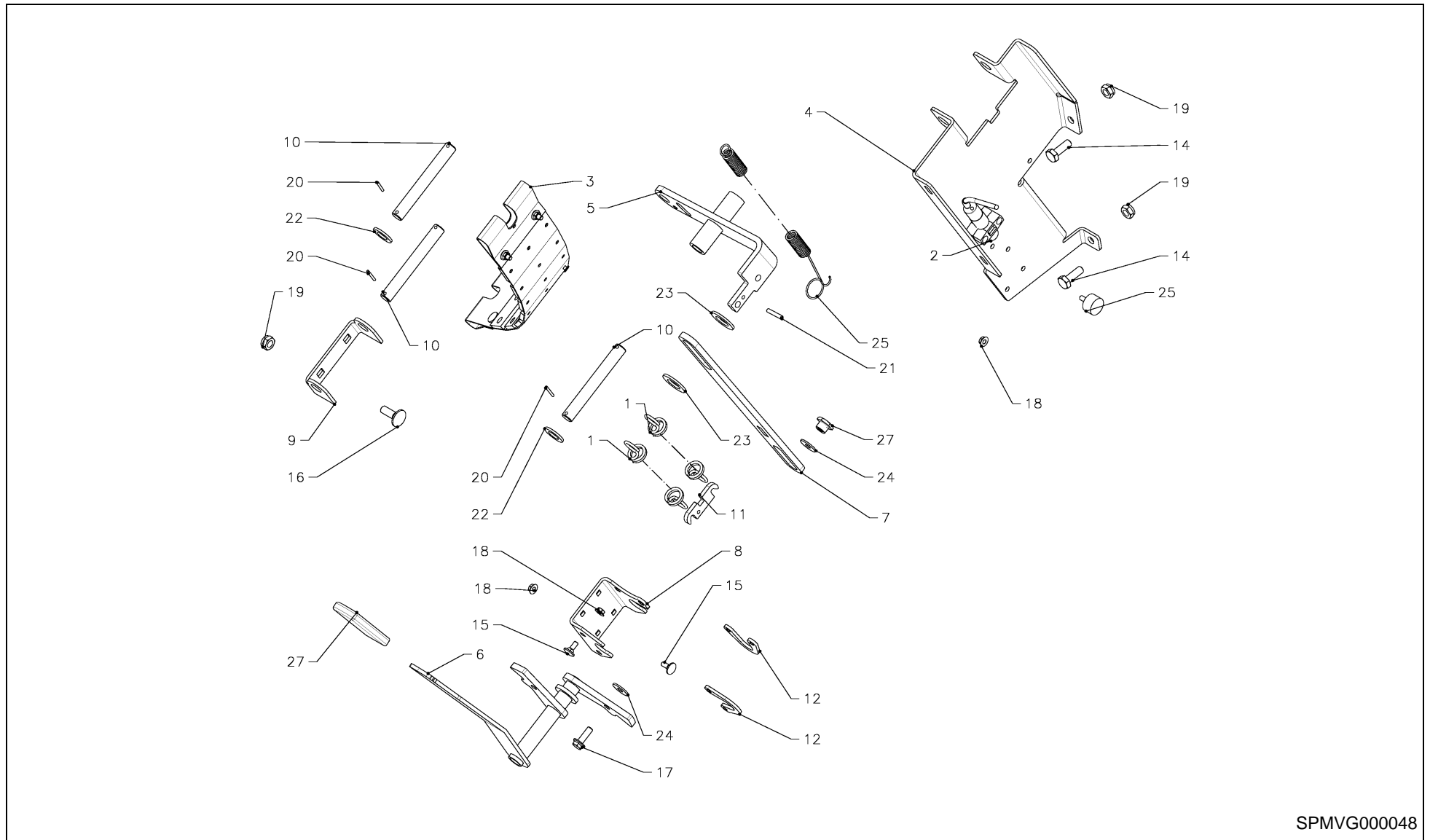
SPMVG000146



# LB 8200 / FLYWHEEL



PosNo.	Part No.	Qty.	Description	Remark
1	VGND5217	1	BALL BEARING 6210-2RS GK7	
2	KG01361400	1	BALL BEARING 6012-2RS	
3	VGGR200K0	1	FLYWHEEL	
4	VRR0485101	1	COUPLING	
5	VR318003200	1	ALLEN BOLT	
6	VR367001005	1	WASHER, PLAIN	
7	VGND3174V	6	CIRCLIP	
8	KG00482361	6	HEX. SCREW M18X40 8.8	



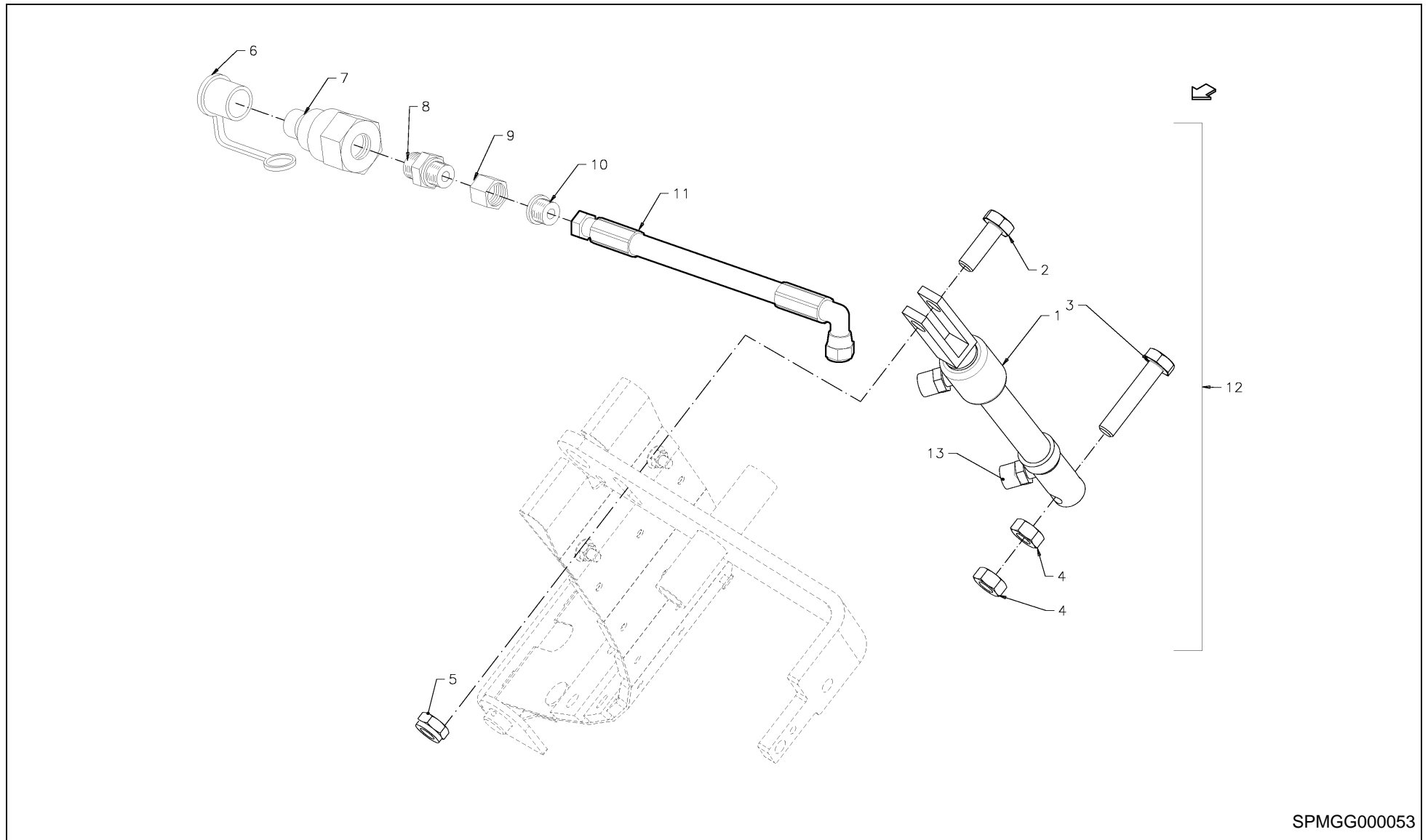
SPMVG000048



## LB 8200 / BRAKE

PosNo.	Part No.	Qty.	Description	Remark
1	VG18601320V	2	SPRING, TENSION	
2	VNB0391273	1	SENSOR ASSY PROX PLAST L=0.3M	
3	VGGR00217K0	1	SHOE, BRAKE	
4	VGGR0205K0	1	SUPPORT	
5	VGGR0206K0	1	LEVER	
6	VGGR0209K0	1	HANDLE	
7	VGGR208K0	1	STRIP	
8	VGGR212K0	1	SUPPORT	
9	VGGR213K0	1	BRACKET	
10	VGGR221V	3	PIN	
11	VGGR223V	1	BRACKET	
12	VGGR225K0	2	BRACE	
13	KG00474361	2	HEX. SCREW M10X30 8.8	
14	KG00637061	8	CARRIAGE BOLT M6X16 8.8	
15	KG00641561	2	CARRIAGE BOLT M10X30 8.8	
16	KG00981361	1	FLANGED BOLT M8X25 90	
17	KG01061161	9	LOCK NUT M6 8	
18	KG01068861	4	LOCK NUT M10 10	
19	KG01251561	6	SPLIT PIN 4X25 ST	
20	KG01188062	1	TENSION PIN 5X32	
21	KG01267761	4	WASHER M16	
22	KG01267961	2	WASHER M20	
23	VGND3030V	2	WASHER, PLAIN	
24	VGND90007	1	DAMPER VIBRATION	
25	VGZ129V	1	SPRING, TENSION	
26	VRR0203693	1	NUT, HEX SPEC.	
27	VGWA453	1	GRIP	

# LB 8200 / HYDRAULICS PARTS, KIT

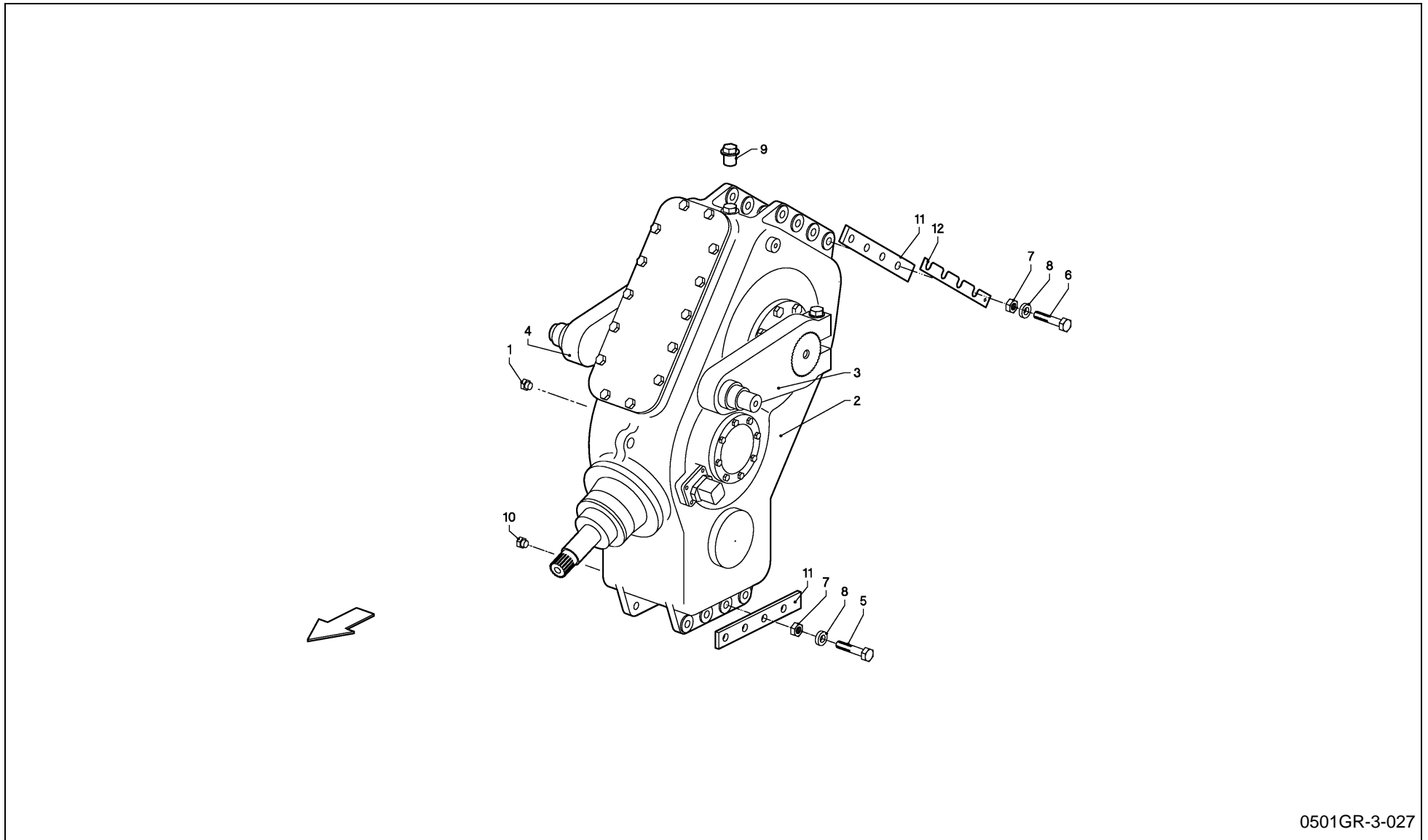


SPMGG000053

# LB 8200 / HYDRAULICS PARTS, KIT



PosNo.	Part No.	Qty.	Description	Remark
1	VNB2236094	1	CYLINDER, HYDR.	
2	KG00474361	1	HEX. SCREW M10X30 8.8	
3	KG00474761	1	HEX. SCREW M10X50 8.8	
4	KG01052061	2	HEX. NUT M10 8	
5	KG01068861	1	LOCK NUT M10 10	
6	VRR0465701	1	COVEHOOD	
7	VRR0257801	1	QUICK-DISCONNECT COUPLING	
8	VR38271430	1	COUPLING	
9	VR38279106	1	NUT 3/4	
10	VR38271420	1	COUPLING	
11	VRR0636602	1	HOSE LB 8100 - 8200 - 12100	
12	VR51099367	1	HYDRAULIC FLYWHEEL BRAKE	
13	VRR0636002	1	COVEHOOD	

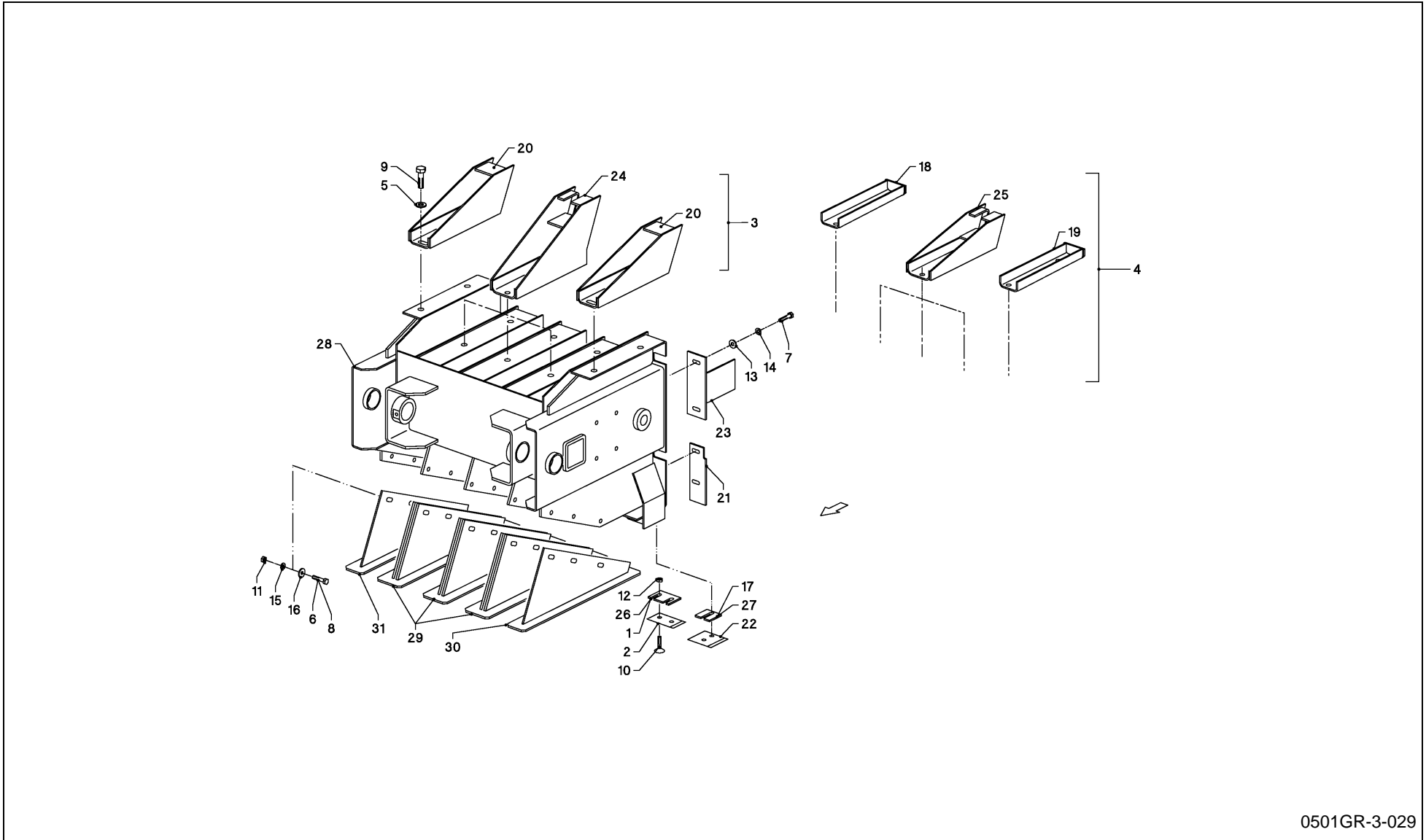


0501GR-3-027

# LB 8200 / DRIVE, MAIN



PosNo.	Part No.	Qty.	Description	Remark
1	VGND92185	1	GAUGEGLAS	
2	VGGR0012K0	1	X-MISSION ASSY	
3	VGGR00305K0	1	CRANK	
4	VGGR00306K0	1	CRANK	
5	KG00340861	8	HEX. BOLT M20X80 10.9	
6	KG00340961	8	HEX. BOLT M20X90 10.9	
7	KG01069261	16	NUT, LOCK	
8	VRR0299593	16	SLEEVE	
9	VRR0407704	1	BREATHER	
10	BV373024001	1	PLUG	
11	VRR0632082	4	STRIP	
12	VRR0632182	4	PLATE, SHIM	



0501GR-3-029

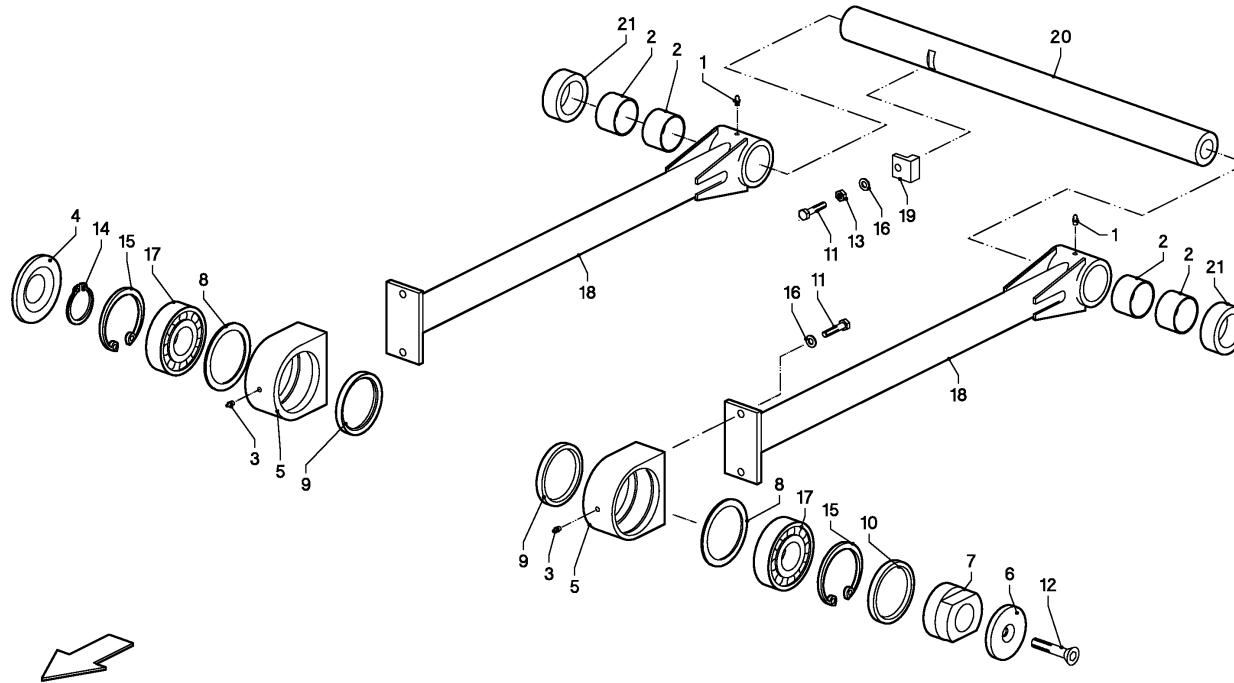


# LB 8200 / PLUNGER



PosNo.	Part No.	Qty.	Description	Remark
1	VR15374008	6	PLATE, SHIM	
2	VR17052103	3	BLADE	
3	VR28000035	1	RAISING SET	80 cm
4	VR28000036	1	RAISING SET	70 cm
5	VG37129064V	10	WASHER, BELLEVILLE	
6	KG00357461	9	HEX. BOLT M12X45 8.8	
7	KG00474361	8	HEX. SCREW M10X30 8.8	
8	KG00476761	6	HEX. SCREW M12X40 8.8	
9	KG00479961	10	HEX. SCREW M16X25 8.8	
10	KG00851161	10	COUNTERSUNK HEAD SCREW M12X50 10.9	
11	KG01052161	15	HEX. NUT M12 8	
12	KG01068961	10	LOCK NUT M12 10	
13	VGMT152V	8	RING	
14	VGND3147V	8	WASHER	
15	VGND3148V	15	WASHER	
16	VGND3163V	24	WASHER, PLAIN	
17	VRR0046102	4	PLATE, SHIM	
18	VRR0088582	1	SPACER	
19	VRR0088682	1	SPACER	
20	VRR0365582	2	SPACER	
21	VRR0376282	2	SCRAPER	
22	VRR0389202	2	BLADE	
23	VRR0389982	2	SCRAPER	
24	VRR0461082	3	SPACER	
25	VRR0461182	3	SPACER	
26	VRR0548293	3	PLATE, SHIM	
27	VRR0548393	2	PLATE, SHIM	
28	VRR0629682	1	PLUNGER	
29	VRR0718582	3	GUIDE, CENTER	
30	VRR0718682	1	GUIDE, LH	
31	VRR0718782	1	GUIDE, RH	

# LB 8200 / SHAFT ASSY

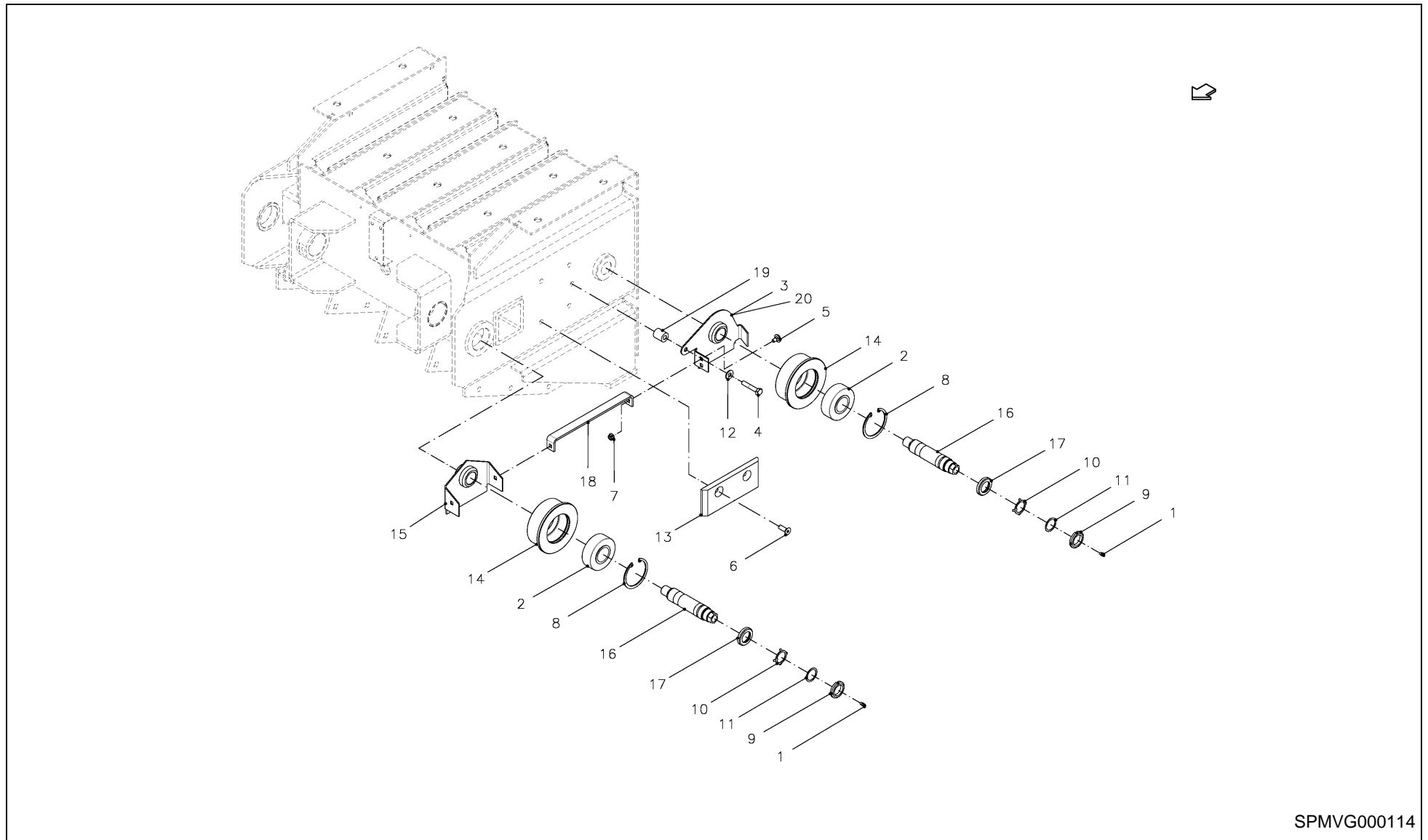


0501GR-3-028

# LB 8200 / SHAFT ASSY



PosNo.	Part No.	Qty.	Description	Remark
1	VG38229007	2	GREASE NIPPLE	
2	VN40227710	4	SLEEVE, ROTATION	
3	VN41702899	2	GREASE NIPPLE M8X1,25	
4	VGGR307	1	LID	
5	VGGR308	2	HOUSING, CUSHION	
6	VGGR309	1	RING	
7	VGGR310	1	PLUG	
8	VGGR320	2	SHIM	
9	VGGR321	2	OIL SEAL	
10	VGGR322	1	RING	
11	KG00476661	5	HEX. SCREW M12X35 8.8	
12	KG00853261	1	COUNTERSUNK HEAD SCREW M16X45 10.9	
13	KG01052161	1	HEX. NUT M12 8	
14	KG01100300	1	CIRCLIP-A 55 X 3	
15	KG01131900	2	CIRCLIP-B 100 X 3	
16	KG01281861	5	SPRING WASHER M12	
17	KG01739300	2	SPHERICAL ROLLER BEARING 22211 E	
18	VRR0387000	2	STRIP	
19	VRR0592593	1	STOP	
20	VRR0620702	1	AXLE	
21	VRR0629893	2	SLEEVE	



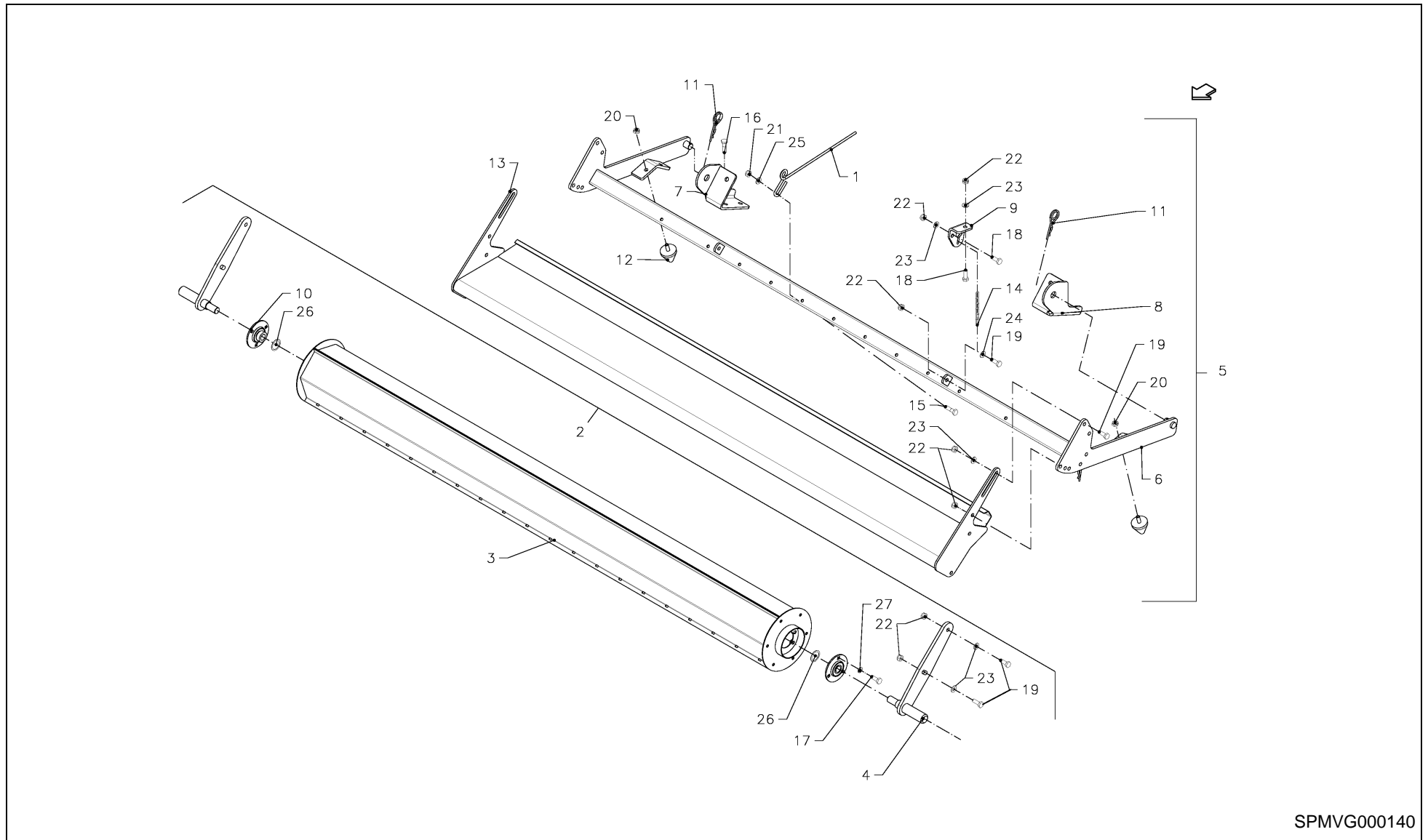
SPMVG000114

# LB 8200 / GUIDE CPL.



PosNo.	Part No.	Qty.	Description	Remark
1	VG38229007	4	GREASE NIPPLE	
2	VR40133707	4	CUSHION, ASSY	
3	VGGR0179K0	1	SCRAPERS, LH	
4	KG00355561	2	HEX. BOLT M10X55 8.8	
5	KG00638961	4	CARRIAGE BOLT M8X16 8.8	
6	KG00849261	4	COUNTERSUNK HEAD SCREW M10X30 10.9	
7	KG01061261	4	LOCK NUT M8 8	
8	KG01130900	4	CIRCLIP-B 80 X 2.5	
9	KG01817400	4	LOCK NUT M30X1.5	
10	KG01827900	4	LOCKING WASHER 30MM	
11	VGMT00310	4	SHIM SET	
12	VGND3147V	2	WASHER	
13	VRR0391178	2	PLATE, GUIDE	
14	VRR0592002	4	ROLLER, CAM	
15	VRR0592282	2	SCRAPER	
16	VRR0592302	4	AXLE	
17	VRR0622893	4	RING	
18	VRR0622982	2	BRACE	
19	VRR0821993	2	SLEEVE	
20	VGGR0178K0	1	SCRAPERS, RH	

# LB 8200 / WIND GUARD

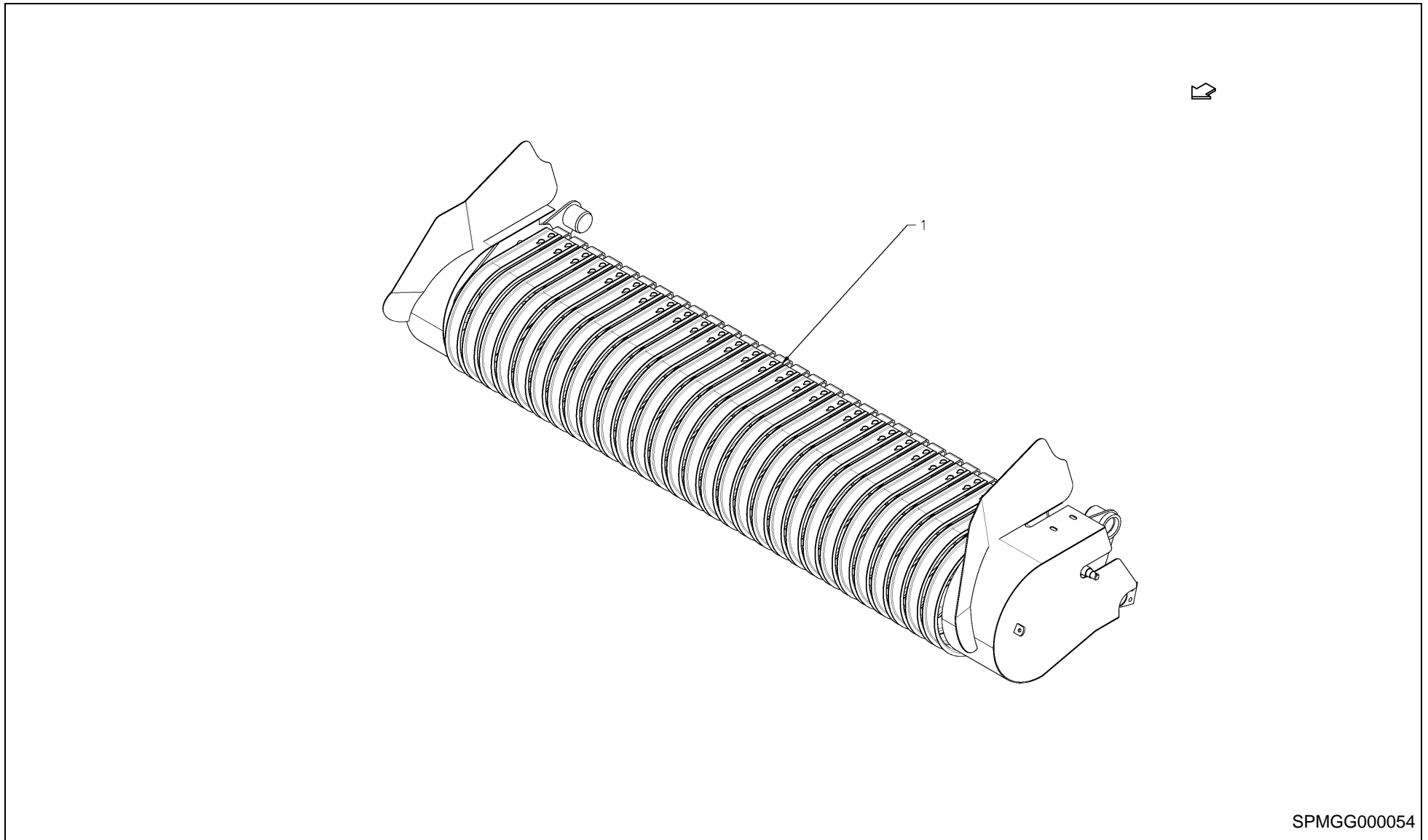


SPMVG000140



## LB 8200 / WIND GUARD

PosNo.	Part No.	Qty.	Description	Remark
1	VF16618436	11	SPRING TINE	
2	VGGP00919K0	1	ROLLER, CYLINDER	
3	VGGP0919K0	1	ROLLER, CYLINDER	
4	VGGP0921K0	2	SUPPORT	
5	VGGR0080K0	1	WIND GUARD	
6	VGGR079K0	1	BRACKET	
7	VGGR080K0	1	BRACKET, RH	
8	VGGR081K0	1	BRACKET, LH	
9	VGGR83K0	2	PLAAT	
10	VGND5279	2	CUSHION, ADJUSTABLE	
11	VGpz25V	2	SPRING CLIP	
12	VRR0344501	2	STOP	
13	VRR0806282	1	PLATE, GUIDE	
14	VF01397910	2	CHAIN/TRACK	
15	KG00353561	7	HEX. BOLT M8X55 8.8	
16	KG00355761	4	HEX. BOLT M10X65 8.8	
17	KG00471961	6	HEX. SCREW M8X20 8.8	
18	KG00474361	4	HEX. SCREW M10X30 8.8	
19	KG00474461	10	HEX. SCREW M10X35 8.8	
20	KG01061261	2	LOCK NUT M8 8	
21	KG01068761	11	LOCK NUT M8 10	
22	KG01068861	10	LOCK NUT M10 10	
23	KG01267461	20	WASHER M10	
24	VGMT152V	2	RING	
25	VGND3030V	11	WASHER, PLAIN	
26	VGMT0063	2	SHIM SET	
27	KG01281661	6	SPRING WASHER M8	



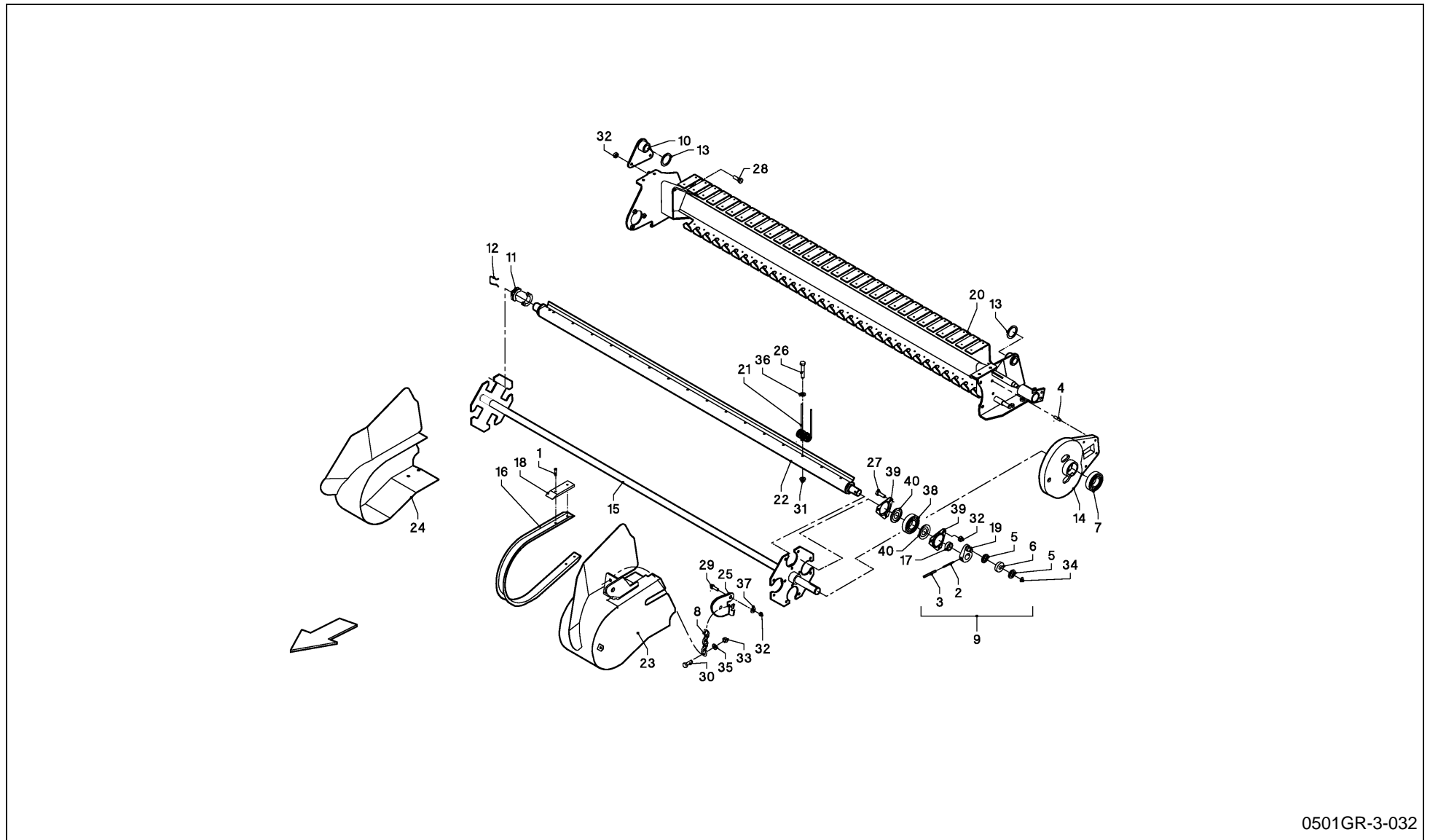
SPMGG000054



**LB 8200 / PICK-UP, CPL.**



PosNo.	Part No.	Qty.	Description	Remark
1	VF16618801	1	PICK-UP	



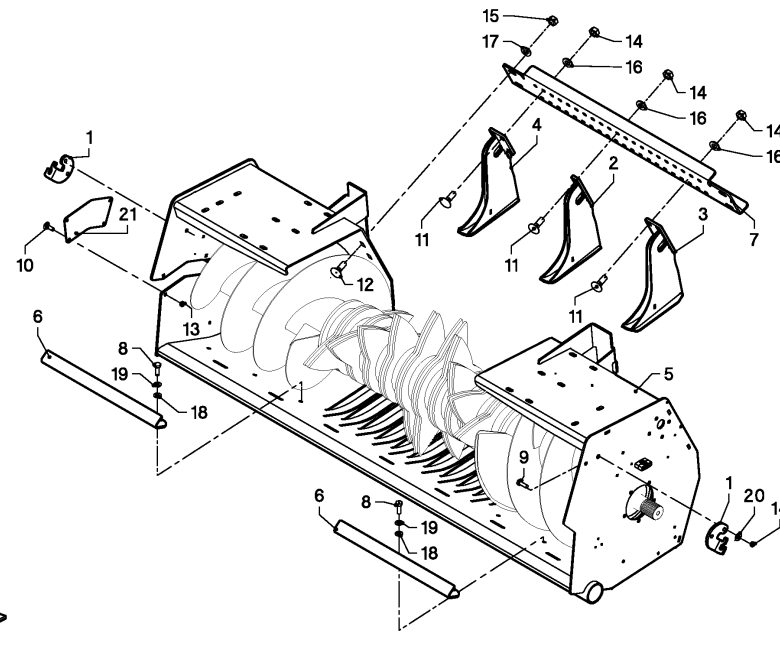
0501GR-3-032

# LB 8200 / PICK-UP



PosNo.	Part No.	Qty.	Description	Remark
1	VF01104181	20	CYLINDR. SCREW	
2	KG01190062	4	TENSION PIN 6X70	
3	VF01157382	4	DOWEL PIN	
4	VF01157427	2	DOWEL PIN	
5	VF06214938	8	NILOSRING 6303 ZAV	
6	VF06215027	4	ROLLER	
7	VF06215766	1	ROLLER BEARING	
8	VF16618864	2	CHAIN/TRACK	
9	VF16615203.86	4	CONTROL ARM	
10	VF16616475	1	PIVOT PIN	
11	VF16616480	8	TERMINAL RING	
12	VF16616481	4	CLIP	
13	VF16617206	2	SHIM	
14	VF16617225.86	1	GUIDE	
15	VF16617227	1	DRIVE SHAFT	
16	VF16617244	29	SHEET	
17	VF16617910	4	INTERMEDIATE TUBE	
18	VF16618012	10	PLASTIC SEGMENT	
19	VF16615203.86	4	CONTROL ARM	
20	VF16618805	1	SUPPORT	
21	VF16618868.86	60	FEDERZINKEN PU 4 WIND. MP 122	
22	VF16618872	4	RAKE	
23	VF16651180.86	1	SIDE PART LEFT	
24	VF16651190.86	1	SIDE PART RIGHT	
25	VGGP455K0	2	BRACE	
26	KG00353661	60	HEX. BOLT M8X60 8.8	
27	KG00474261	12	HEX. SCREW M10X25 8.8	
28	KG00474361	2	HEX. SCREW M10X30 8.8	
29	KG00474561	2	HEX. SCREW M10X40 8.8	
30	KG00476661	2	HEX. SCREW M12X35 8.8	
31	KG01061261	60	LOCK NUT M8 8	
32	KG01068861	16	LOCK NUT M10 10	
33	KG01068961	2	LOCK NUT M12 10	
34	KG01107562	4	CIRCLIP-A 17 X 1	
35	KG01267461	2	WASHER M10	
36	VGND3030V	60	WASHER, PLAIN	
37	VGND3148V	2	WASHER	
38	VGND5120	4	CUSHION, ADJUSTABLE	
39	VGND5239	4	FLANGE, CUSHION	
40	VGND6113	8	SEAL	

# LB 8200 / FRAME, ROTOR

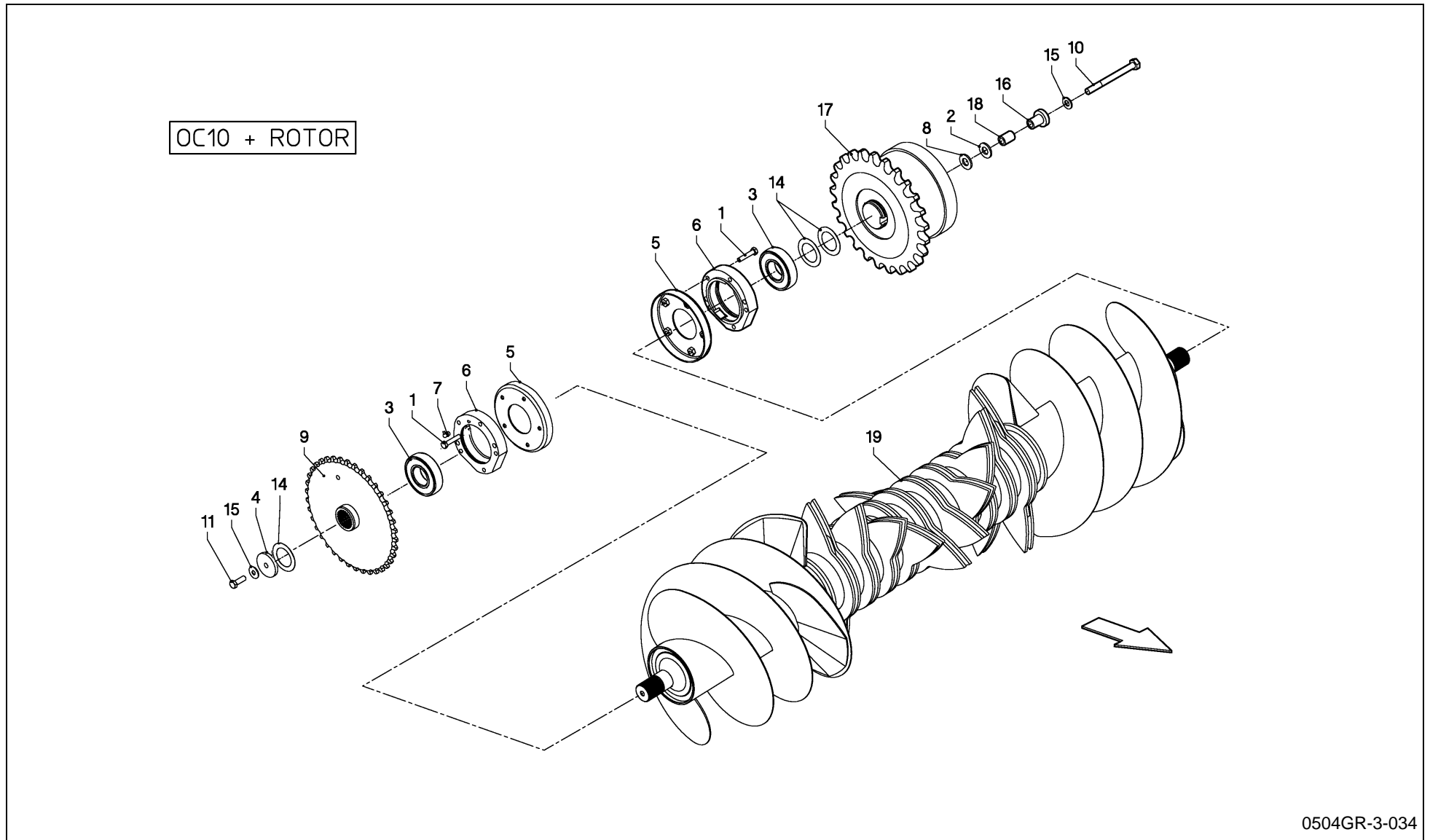


0501GR-3-033B



## LB 8200 / FRAME, ROTOR

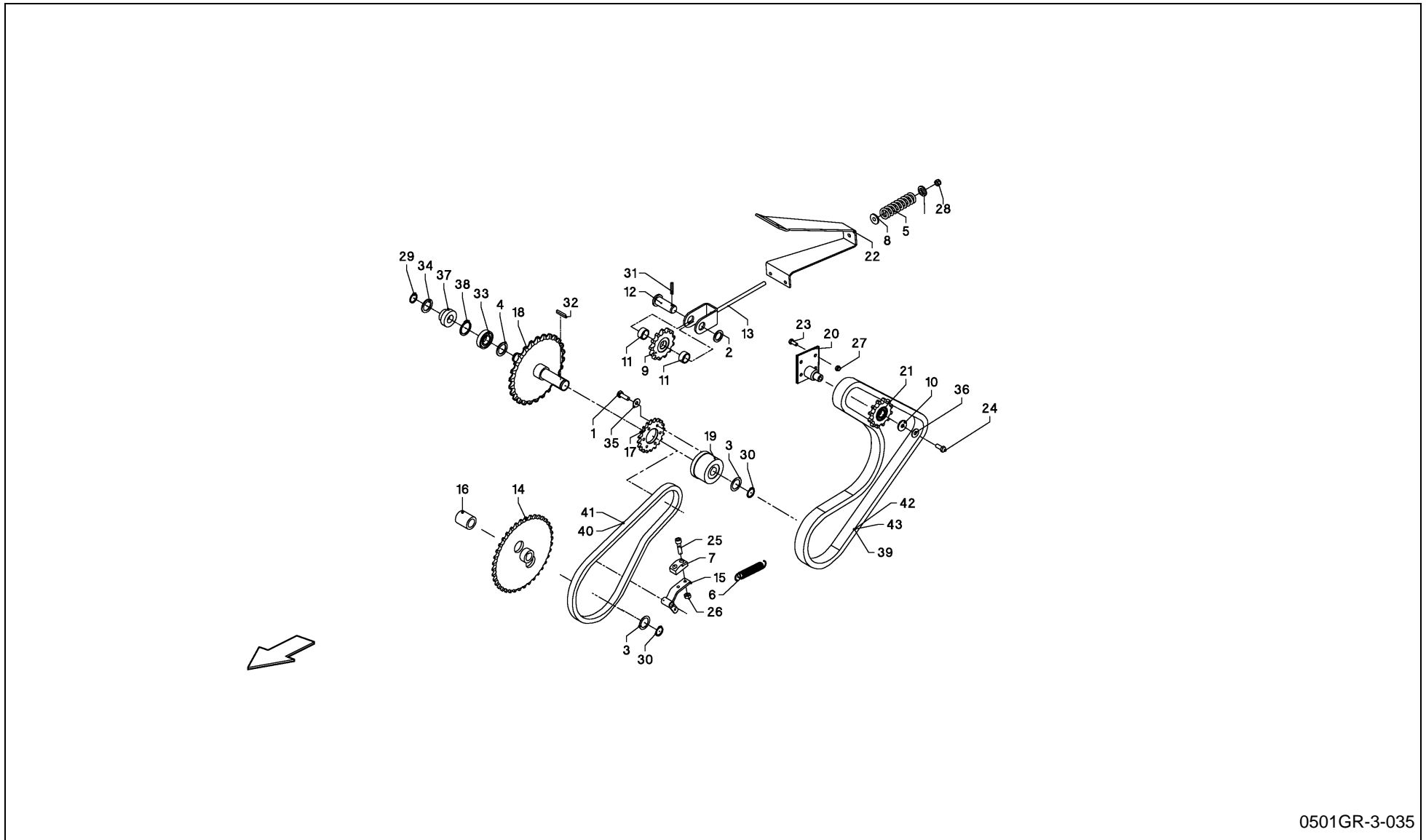
PosNo.	Part No.	Qty.	Description	Remark
1	VGGP455K0	2	BRACE	
2	VGGR0323K0	9	SCRAPER	
3	VGGR0327K0	1	SCRAPER, LH	
4	VGGR0328K0	1	SCRAPER, RH	
5	VGGR0352K0	1	FRAME, ROTOR	
6	VGGR141K0	2	SCRAPER	
7	VGGR319K0	1	SUPPORT	
8	KG00472061	6	HEX. SCREW M8X22 8.8	
9	KG00474561	4	HEX. SCREW M10X40 8.8	
10	KG00639061	4	CARRIAGE BOLT M8X20 8.8	
11	KG00641561	26	CARRIAGE BOLT M10X30 8.8	
12	KG00644861	4	CARRIAGE BOLT M12X30 8.8	
13	KG01068761	4	LOCK NUT M8 10	
14	KG01068861	30	LOCK NUT M10 10	
15	KG01068961	4	LOCK NUT M12 10	
16	KG01267461	26	WASHER M10	
17	KG01267561	4	WASHER M12	
18	VGND3030V	6	WASHER, PLAIN	
19	VGND3146V	6	CIRCLIP	
20	VGND3147V	4	WASHER	
21	VRR0820182	1	PLATE	



# LB 8200 / ROTOR, CUTTING- 10-OC



PosNo.	Part No.	Qty.	Description	Remark
1	VF06273756	10	SOCKET HEAD SCREW	
2	VG13925033V	3	RING	
3	VF16614126	2	BALL BEARING	
4	VF16618448	1	WASHER	
5	VF16619098.61	2	PROTECTIVE DEVICE	
6	VF16654252.86	2	LAGERUNG RE. REV.	
7	VG38229007	2	GREASE NIPPLE	
8	VGZ0065	1	SHIM SET -X13X30	
9	VGGP0459K0	1	SPROCKET	
10	KG00358461	1	HEX. BOLT M12X110 8.8	
11	KG00476661	1	HEX. SCREW M12X35 8.8	
14	VGMT0063	2	SHIM SET	
15	VGND3148V	2	WASHER	
16	VRR0533793	1	SLEEVE	
17	VRR0646102	1	COUPLING	
18	VRR0668993	1	WASHER OPTICUT OC-23 LB 12200	
19	VRR0818282	1	ROTOR	

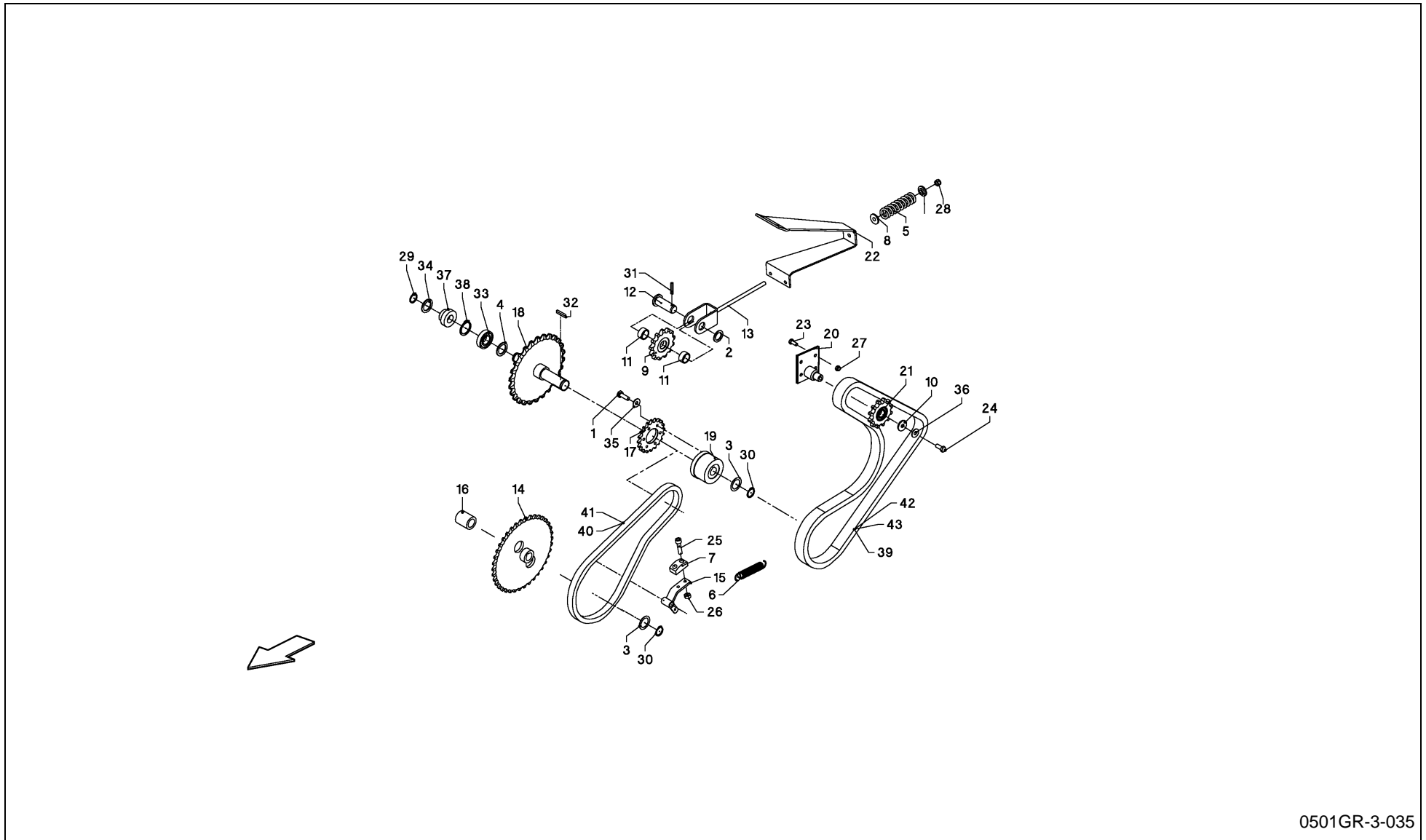




# LB 8200 / DRIVE



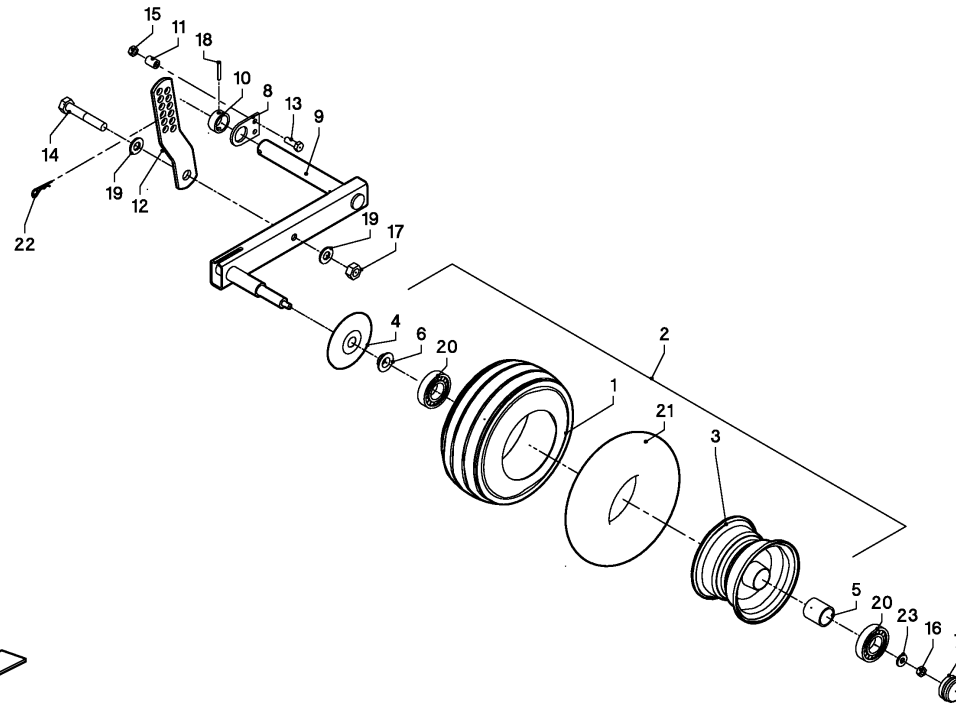
PosNo.	Part No.	Qty.	Description	Remark
1	VF01173381	6	HEX.HEAD SCREW	
2	VF06214321	1	WASHER	
3	VF06214481	2	SPACER	
4	VGND3138V	1	RING	
5	VF06215432	1	COMPRESSION SPRING	
6	VF06215540	1	TENSION SPRING	
7	VF06246785	1	BLOC	
8	VF06550817	2	SPRING CUP	
9	VF06554382.86	1	CHAIN WHEEL	
10	VG13925033V	1	RING	
11	VF16614124	2	SPACER TUBE	
12	VF16654530	1	PIN	
13	VF16614227.86	1	TENSIONER CHAIN	
14	VF16616460	1	SPROCKET	
15	VF16617204.86	1	SUPPORT	
16	VF16618011.86	1	SPACER TUBE	
17	VF16618017.86	1	SPROCKET	
18	VF16618729.86	1	SPROCKET	
19	VF16617905.86	1	CLUTCH	
20	VF16651605	1	BOCK GSW.	
21	VR23500002	1	SPROCKET	
22	VGGR373K0	1	SUPPORT	
23	KG00474261	4	HEX. SCREW M10X25 8.8	
24	KG00476561	1	HEX. SCREW M12X30 8.8	
25	KG00545161	2	CHEESE HEAD SCREW M8X25 8.8	
26	KG01068761	2	LOCK NUT M8 10	
27	KG01068861	4	LOCK NUT M10 10	
28	KG01068961	1	LOCK NUT M12 10	
29	KG01108362	1	CIRCLIP-A 25 X 1.2	
30	KG01108862	2	CIRCLIP-A 30 X 1.5	
31	KG01191962	1	TENSION PIN 8X45	
32	KG01307200	1	KEY 8X7X45	
33	KG01357000	1	BALL BEARING 6006-2RS	
34	VGMT0062	1	SHIM SET	
35	VGND3146V	6	CIRCLIP	
36	VGND3148V	1	WASHER	
37	VGND5223	1	CUSHION, BALL	
38	KG01128762	1	CIRCLIP-B 47 X 1.75	
39	VGND9295	1	LINK, SIMPL.	
40	VGND9346	1	LINK, SIMPL.	



# LB 8200 / DRIVE



PosNo.	Part No.	Qty.	Description	Remark
41	VF16619824	1	CHAIN	Z=70
42	VGND96088	1	LINK, OFFSET	
43	VRR0657801	1	CHAIN	

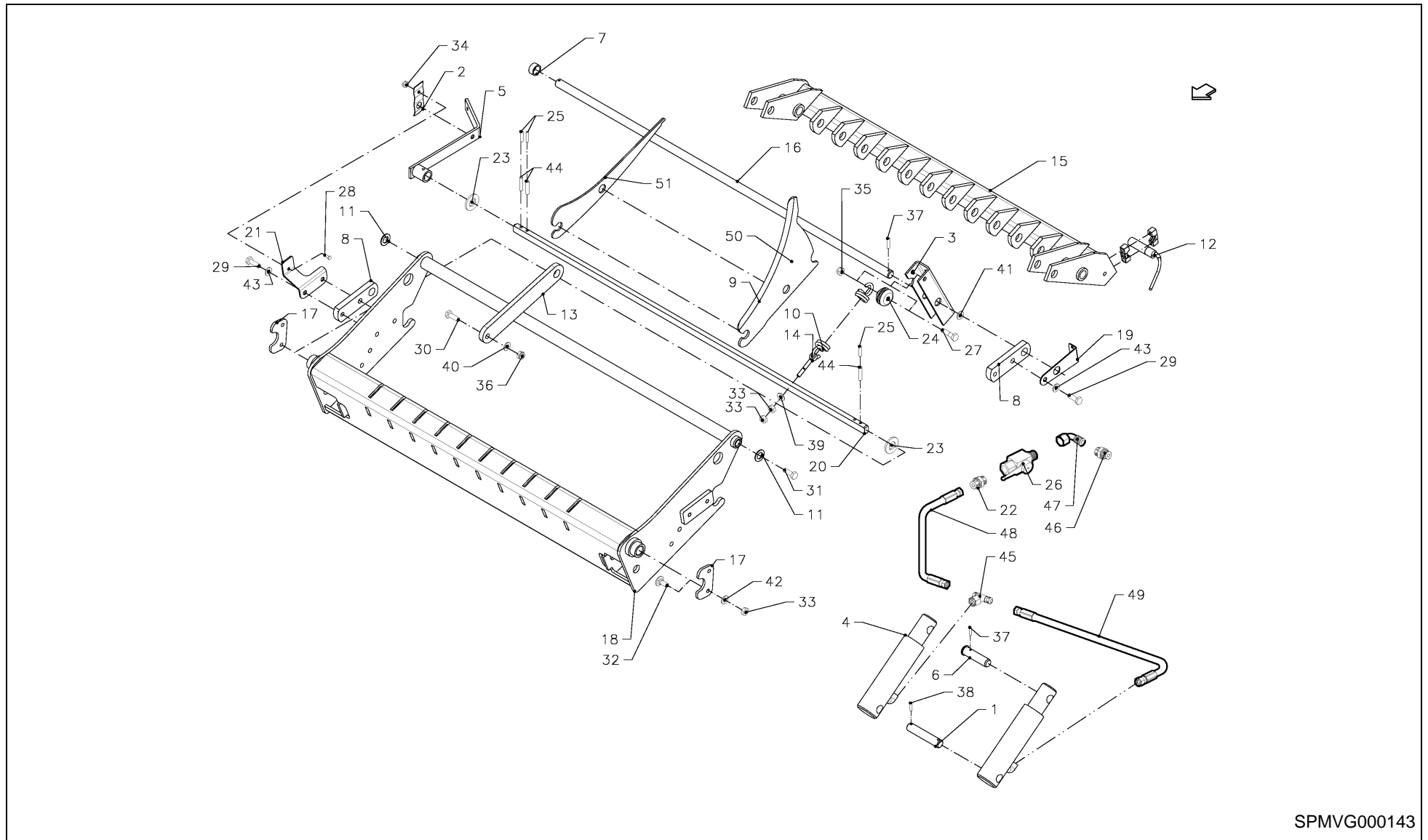




## LB 8200 / GAUGE WHEEL, CPL.

PosNo.	Part No.	Qty.	Description	Remark
1	VF01141364	2	TYRE	
2	VF06564733	2	WHEEL	
3	VF06564735.98	2	RIM	
4	VF06564747.98	2	COVERING DISC	
5	VF06249879	2	SPACER	
6	VF06567492	2	GASKET	
7	VF06580546	2	CAP	
8	VF16618812.61	2	CONNECTING PLATE	
9	VF16618815.86	2	AXLE LINK	
10	VF16651137	2	ADJUSTING RING	
11	VF16651138	4	PIPE	
12	VF16651334	2	PERFORATED RAIL	
13	KG00355761	4	HEX. BOLT M10X65 8.8	
14	KG00362361	2	HEX. BOLT M16X70 8.8	
15	KG01068861	4	LOCK NUT M10 10	
16	KG01068961	2	LOCK NUT M12 10	
17	KG01069161	2	LOCK NUT M16 10	
18	KG01192062	2	TENSION PIN 8X50	
19	KG01267761	4	WASHER M16	
20	KG01378900	4	BALL BEARING 6205-2RS	
21	VGND9779	2	AIR CHAMBER	
22	VGPZ160V	2	SPRING CLIP	
23	VGTH100V	2	RING	

# LB 8200 / FRAME, KNIVES



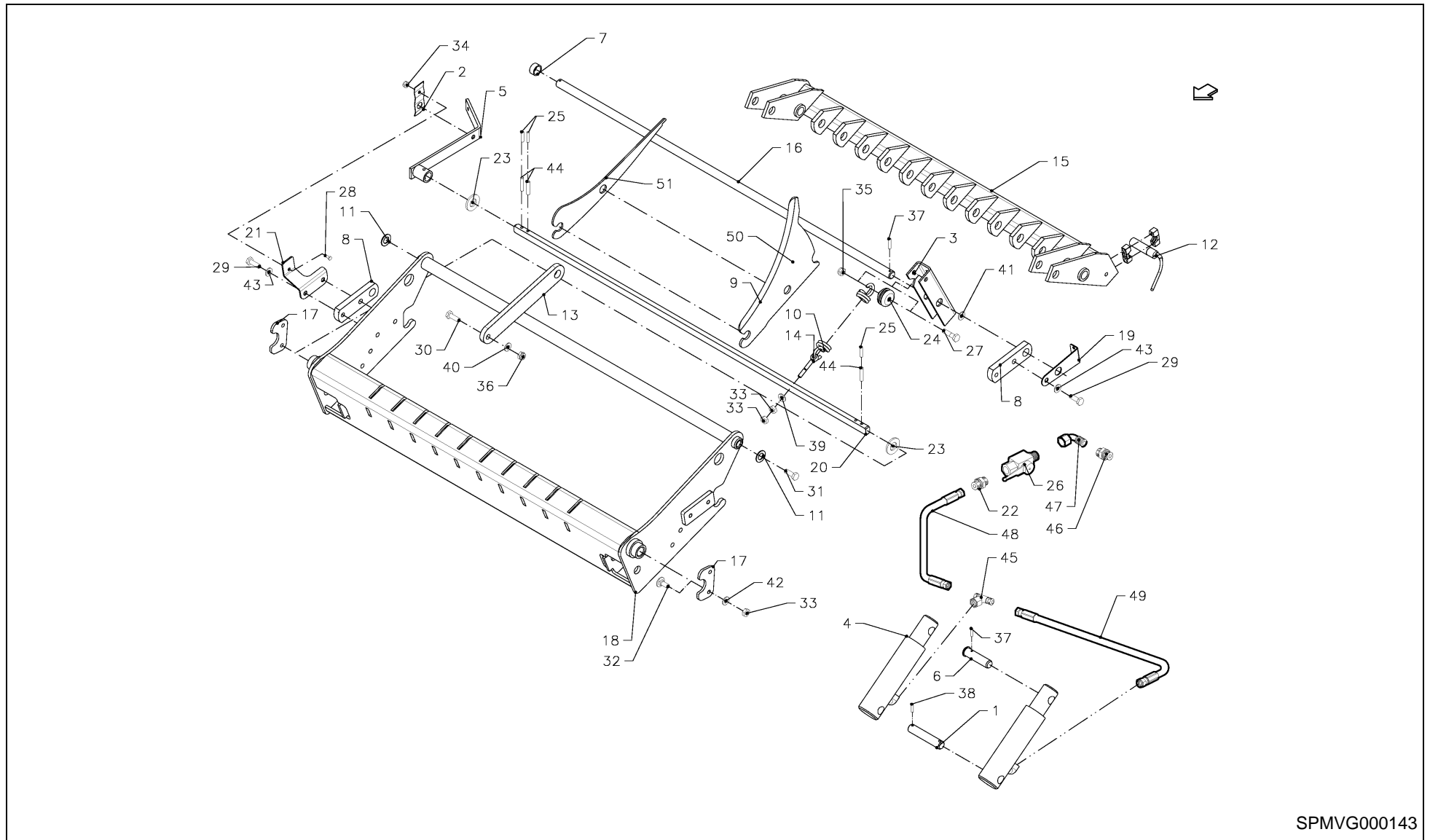
SPMVG000143



## LB 8200 / FRAME, KNIVES

PosNo.	Part No.	Qty.	Description	Remark
1	VF06277506	2	PIN	
2	VF06552557	1	LEAF SPRING	
3	VF06579564.86	10	YOKE/RETAINER	
4	VF06579628	2	HYDR. CYLINDER	
5	VF06579664	1	LEVER/ARM	
6	VF16512862	2	PIN	
7	VF16512934	1	PIPE	
8	VF16611944	2	ADJUSTING AXLE	
9	VF16613168	10	KNIFE	STANDARD KNIFE
10	VF16618516	10	TENSION SPRING	
11	VG37129064V	2	WASHER, BELLEVILLE	
12	VNB0391273	1	SENSOR ASSY PROX PLAST L=0.3M	
13	VGGR145K0	1	STRIP	
14	VGND1607V	10	BOLT, EYE	
15	VRR0706982	1	HOLDER, BLADE	
16	VRR0707193	1	AXLE	
17	VRR0820382	2	PLATE	
18	VRR0820482	1	FRAME, KNIVES	
19	VRR0821193	1	PLATE	
20	VRR0821293	1	AXLE	
21	VRR0821382	1	PLATE	
22	VGND92104V	1	STUD COUPLING	
23	VF06214306	4	WASHER	
24	VF16618515	10	ROLLER	
25	VR30803337	3	PIN, TENSION	
26	VGBF00349	1	VALVE ASSY, SHUT-OFF	
27	KG00336361	10	HEX. BOLT M10X60 10.9	
28	KG00468761	2	HEX. SCREW M6X16 8.8	
29	KG00474361	4	HEX. SCREW M10X30 8.8	
30	KG00476661	1	HEX. SCREW M12X35 8.8	
31	KG00480061	2	HEX. SCREW M16X30 8.8	
32	KG00639161	4	CARRIAGE BOLT M8X25 8.8	
33	KG01051961	24	HEX. NUT M8 8	
34	KG01067361	2	LOCK NUT M6 8	
35	KG01068861	10	LOCK NUT M10 10	
36	KG01068961	1	LOCK NUT M12 10	
37	KG01186862	2	TENSION PIN 4X40	
38	KG01252761	4	SPLIT PIN 5X36 ST	
39	KG01267361	10	WASHER M8	
40	KG01267561	1	WASHER M12	

# LB 8200 / FRAME, KNIVES



SPMVG000143

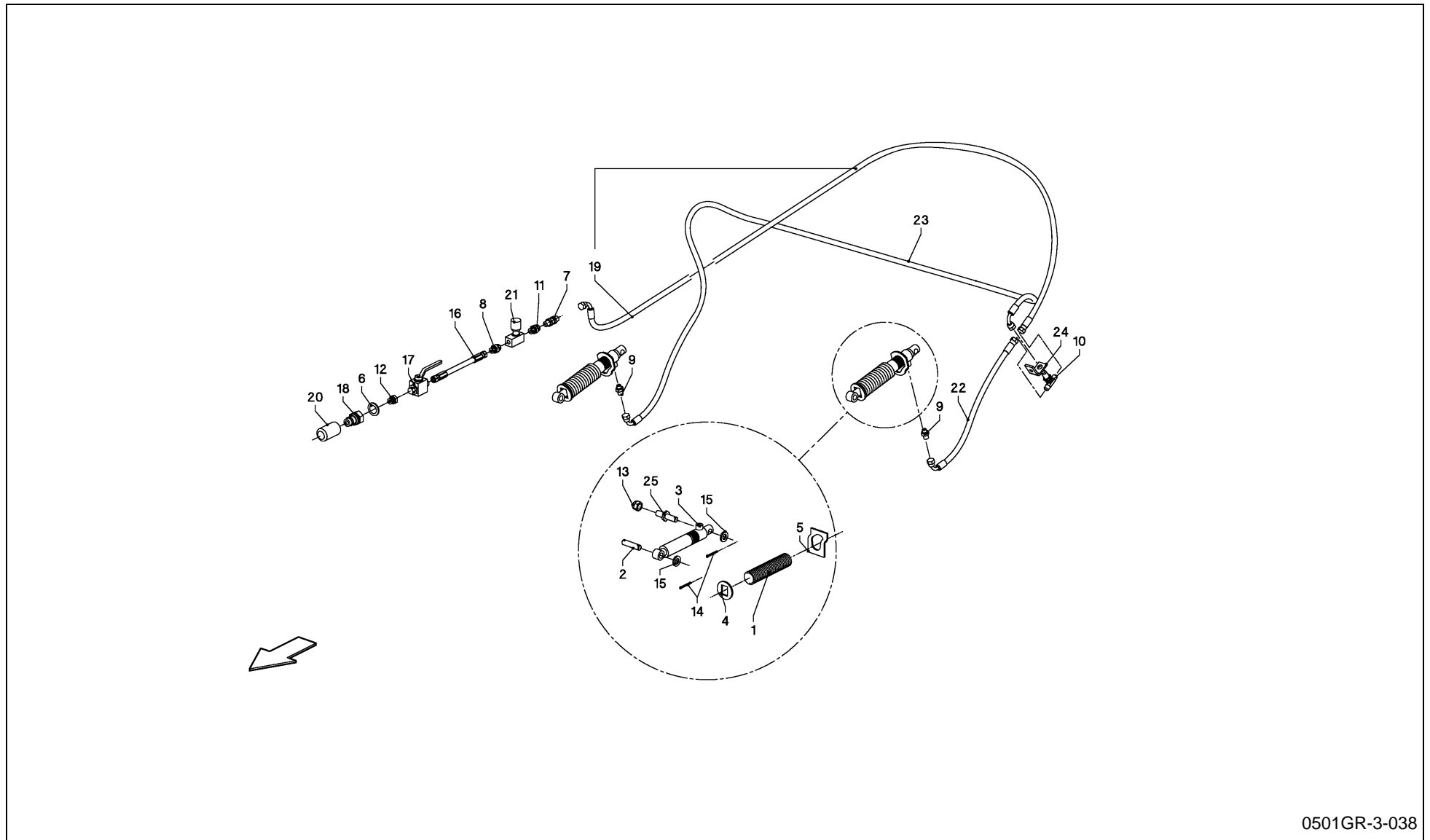


# LB 8200 / FRAME, KNIVES



PosNo.	Part No.	Qty.	Description	Remark
41	KG01267961	6	WASHER M20	
42	VGND3146V	4	CIRCLIP	
43	VGND3147V	4	WASHER	
44	VGND4030V	3	PIN, TENSION	
45	VGND92032V	1	MALE STUD TEE STUD BARREL, ADJ	
46	VGND92162V	1	COUPLING	
47	VGND9906V	1	ELBOW COUPLING, ADJUSTABLE	
48	VRR0491902	1	HOSE	
49	VRR0708402	1	HOSE	
50	ACCESSOIRE	1	PLEASE CONTACT YOUR DEALER	STEEP KNIVES
51	VGGR00399K0	1	DUMMY KNIFES SET	

# LB 8200 / HYDRAULICS PARTS, KIT



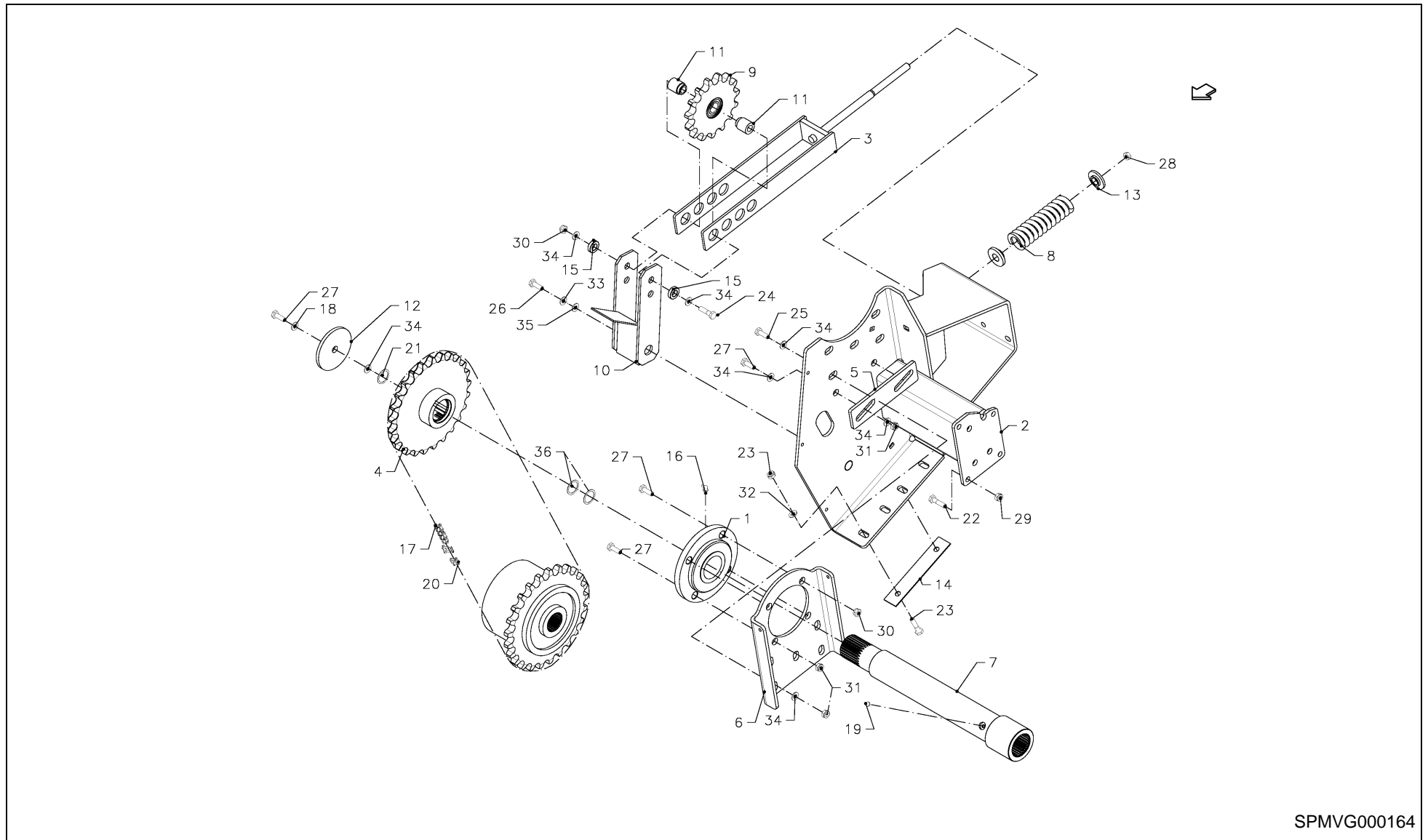
0501GR-3-038

# LB 8200 / HYDRAULICS PARTS, KIT



PosNo.	Part No.	Qty.	Description	Remark
1	VF06215425	2	COMPRESSION SPRING	
2	VF06576501	2	PIN	
3	VF16514629	2	HYDR. RAM	
4	VF16519184	2	WASHER/DISC/PLATE	
5	VF16618323	2	CLIP	
6	VN31419018	1	SEAL RING A18X22X1.5	
7	VG38271201V	1	COUPLING	
8	VG38271203V	1	COUPLING	
9	VR38271213	2	COUPLING	
10	VR38273202	1	COUPLING	
11	VG38275200V	1	COUPLING	
12	VR38275401	1	COUPLING	
13	KG01069161	2	LOCK NUT M16 10	
14	KG01251961	4	SPLIT PIN 4X40 ST	
15	KG01267761	4	WASHER M16	
16	VRR0069801	1	HOSE	
17	VRR0069901	1	VALVE, SHUT-OFF	
18	VRR0257801	1	QUICK-DISCONNECT COUPLING	
19	VRR0290001	1	HOSE, HP	
20	VRR0465701	1	COVEHOOD	
21	VRR0519901	1	THROTTLE, VALVE	
22	VRR0682102	1	HOSE, HP	
23	VRR0682202	1	HOSE, HP	
24	VRR0703493	1	SUPPORT	
25	VGWA183V	2	PIN	

# LB 8200 / TENSIONER, CHAIN



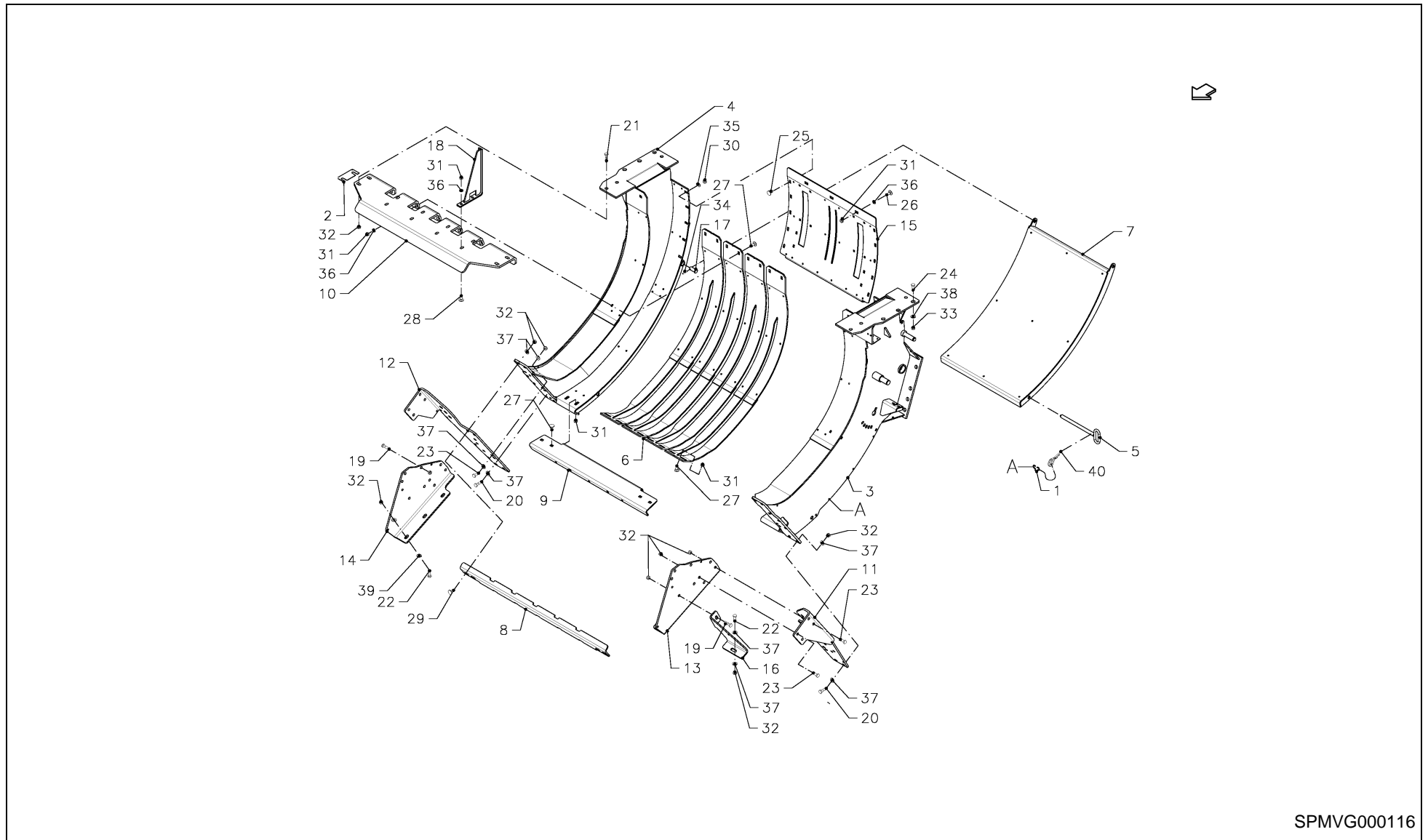
SPMVG000164



## LB 8200 / TENSIONER, CHAIN

PosNo.	Part No.	Qty.	Description	Remark
1	VR40737011	1	CUSHION, BALL	
2	VGGP01328K0	1	SUPPORT	
3	VGGP01637K0	1	TENSIONNER	
4	VGGP0327K0	1	SPROCKET	
5	VGGP1331K0	1	STRIP	
6	VGGP474K0	1	SUPPORT	
7	VGGR86	1	AS	
8	VGPZ328K0	1	SPRING, COMPRESSION	
9	VRR0211400	1	SPROCKET	
10	VRR0482482	1	SUPPORT	
11	VRR0482893	2	SLEEVE	
12	VRR0489593	1	RING	
13	VRR0635493	1	RING	
14	VRR0642182	1	PLATE	
15	VRR0831993	2	RING	
16	VF06213887	1	GREASE NIPPLE	
17	VR17653553	1	CHAIN	
18	VG37129064V	1	WASHER, BELLEVILLE	
19	VG38229007	1	GREASE NIPPLE	
20	VR43202701	1	OFFSET LINK	
21	VG AH00133	1	SHIM SET -X20.5X35	
22	KG00336961	4	HEX. BOLT M12X45 10.9	
23	KG00357461	2	HEX. BOLT M12X45 8.8	
24	KG00363061	1	HEX. BOLT M16X130 8.8	
25	KG00459061	5	HEX. SCREW M16X45 10.9	
26	KG00474261	1	HEX. SCREW M10X25 8.8	
27	KG00480361	7	HEX. SCREW M16X45 8.8	
28	KG01052361	1	HEX. NUT M16 8	
29	KG01068961	6	LOCK NUT M12 10	
30	KG01069161	9	LOCK NUT M16 10	
31	KG01069161	5	LOCK NUT M16 10	
32	KG01267561	2	WASHER M12	
33	VGND3147V	1	WASHER	
34	VGND3173V	16	RING	
35	VGNP705V	1	RING	
36	VGTH00145	1	SHIM SET	

# LB 8200 / FEED UNIT ASSY

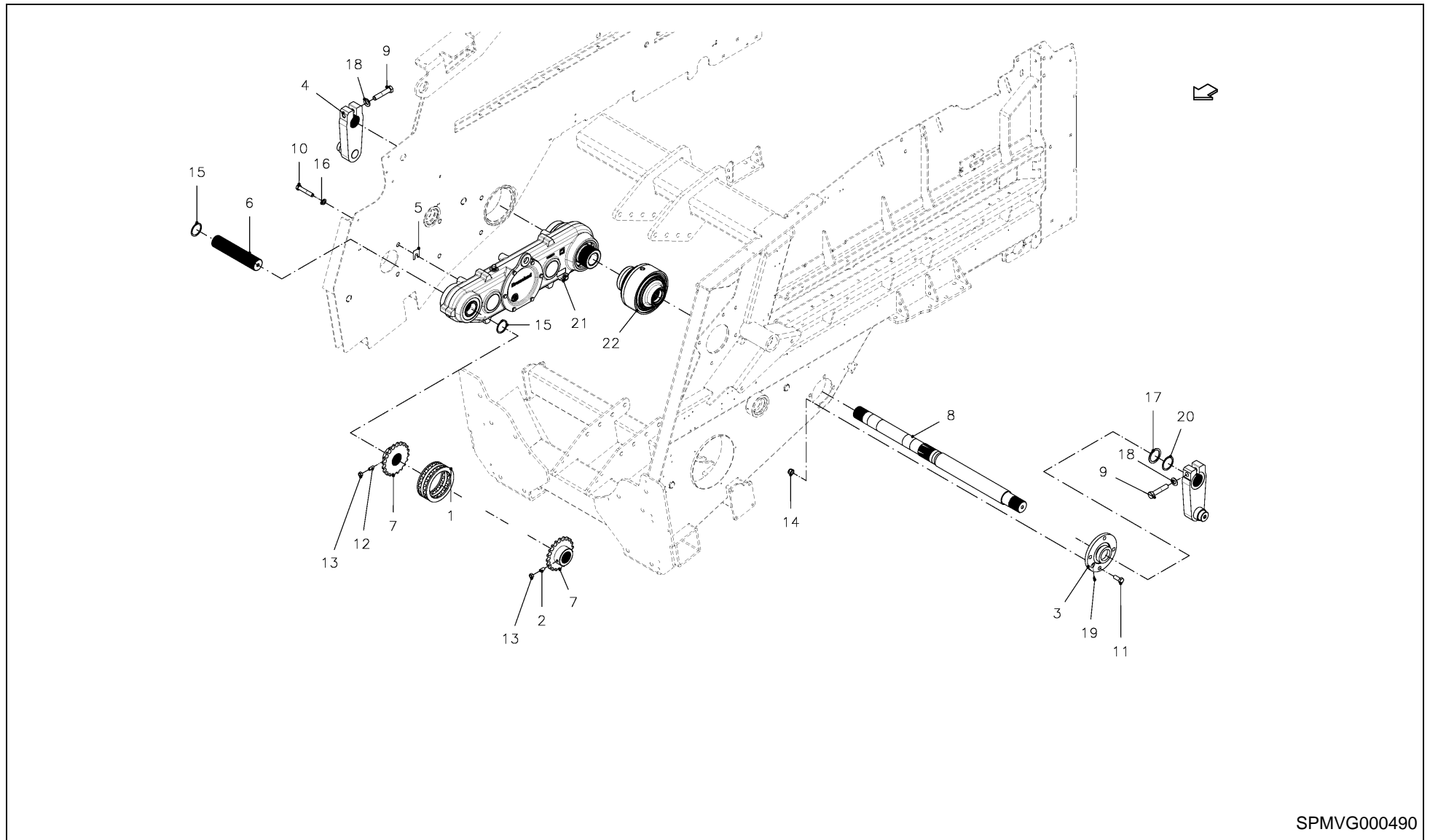


SPMVG000116



## LB 8200 / FEED UNIT ASSY

PosNo.	Part No.	Qty.	Description	Remark
1	VGEP381V	2	BEVESTIGINGSRING	
2	VGGB124V	2	PLATE, SHIM	
3	VGGP0401K0	1	SUPPORT	
4	VGGP0402K0	1	SUPPORT, RH	
5	VGGP0424V	2	LOCKING LEVER	
6	VGGR027K0	4	GUIDE	
7	VGGR031K0	1	DOOR, PROTECTION, CPL.	
8	VGGR317K0	1	SUPPORT	
9	VGGR318K0	1	PLATE	
10	VGGR32K0	1	SUPPORT	
11	VGGR367K0	1	SUPPORT, LH	
12	VGGR368K0	1	SUPPORT, RH	
13	VGGR369K0	1	SUPPORT, LH	
14	VGGR370K0	1	SUPPORT, RH	
15	VGGR396K0	1	PLATE	
16	VGGR67K0	1	SUPPORT	
17	VGMA242V	2	PEN	
18	VRR0718182	4	SUPPORT	
19	KG00336961	5	HEX. BOLT M12X45 10.9	
20	KG00357461	4	HEX. BOLT M12X45 8.8	
21	KG00357561	4	HEX. BOLT M12X50 8.8	
22	KG00476661	9	HEX. SCREW M12X35 8.8	
23	KG00477361	3	HEX. SCREW M12X70 8.8	
24	KG00480261	8	HEX. SCREW M16X40 8.8	
25	KG00639061	10	CARRIAGE BOLT M8X20 8.8	
26	KG00641361	3	CARRIAGE BOLT M10X20 8.8	
27	KG00641561	20	CARRIAGE BOLT M10X30 8.8	
28	KG00641661	8	CARRIAGE BOLT M10X35 8.8	
29	KG00645061	4	CARRIAGE BOLT M12X40 8.8	
30	KG01068761	10	LOCK NUT M8 10	
31	KG01068861	31	LOCK NUT M10 10	
32	KG01068961	48	LOCK NUT M12 10	
33	KG01069161	8	LOCK NUT M16 10	
34	KG01186062	2	TENSION PIN 4X20	
35	KG01267361	10	WASHER M8	
36	KG01267461	31	WASHER M10	
37	KG01267561	50	WASHER M12	
38	KG01267761	10	WASHER M16	
39	VGND3163V	12	WASHER, PLAIN	
40	VGPZ00160V	2	SPRING CLIP ASSY DIAM, 3MM	



SPMVG000490

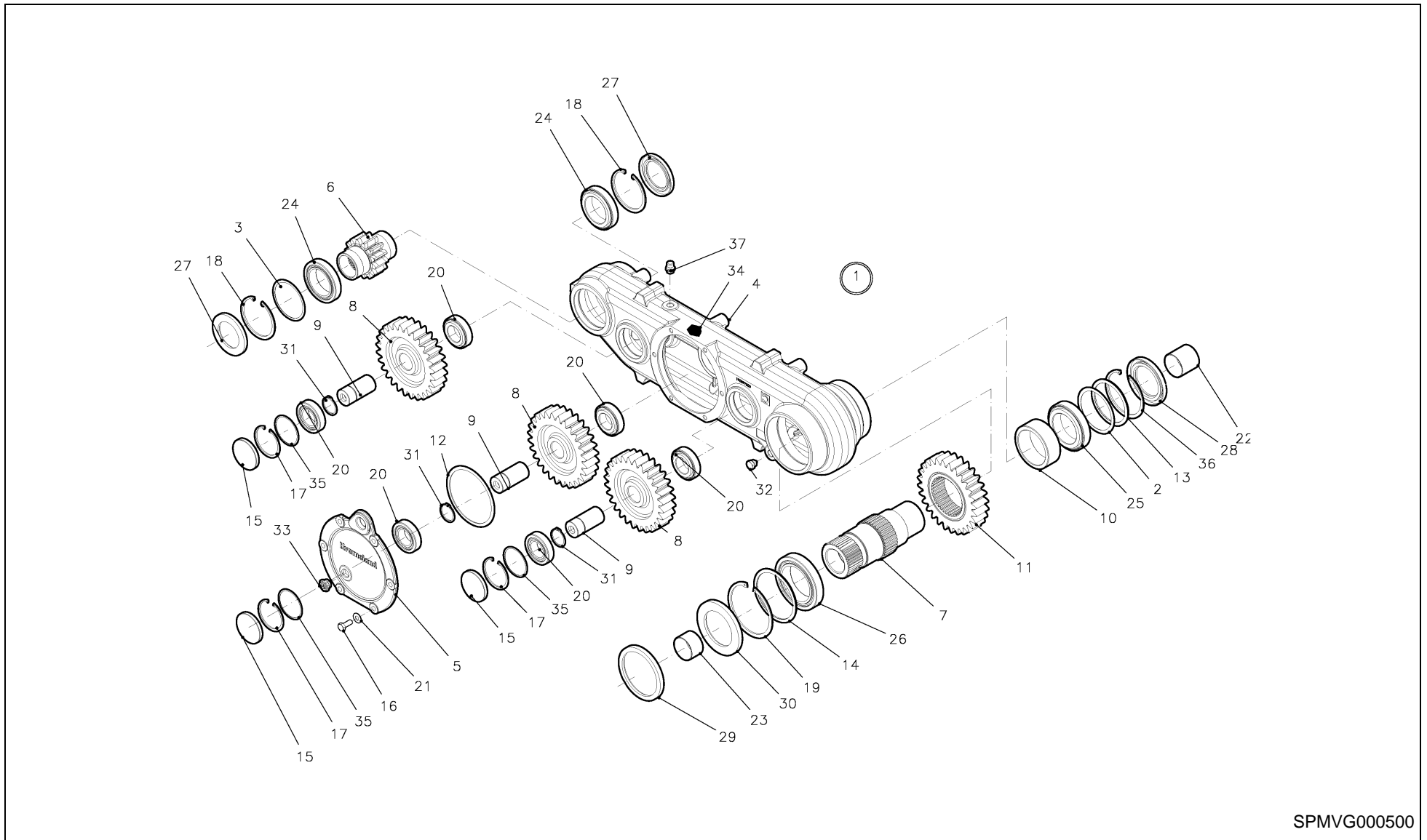


# LB 8200 / DRIVE



PosNo.	Part No.	Qty.	Description	Remark
1	VR17655003	1	CHAIN, DUPLEX	
2	VR30301231	1	SET SCREW, HEX.SCH	
3	VR40737011	1	CUSHION, BALL	
4	VGGP0601K0	2	ARM	
5	VGGP611V	10	PLATE, SHIM	
6	VGGP625	1	SHAFT, SPLINE	
7	VGGP752	2	SPROCKET	
8	VGGR25	1	AXLE	
9	KG00341061	2	HEX. BOLT M20X100 10.9	
10	KG00362661	4	HEX. BOLT M16X90 8.8	
11	KG00480261	4	HEX. SCREW M16X40 8.8	
12	KG00937900	1	SET SCREW M12X30 45H	
13	KG01052161	2	HEX. NUT M12 8	
14	KG01069161	4	LOCK NUT M16 10	
15	KG01111162	2	CIRCLIP-A 60 X 2	
16	KG01282061	4	SPRING WASHER M16	
17	VGMT141V	1	RING	
18	VGND3175V	2	CIRCLIP	
19	VGND9047V	1	GREASE NIPPLE	
20	VGTH00145	1	SHIM SET	
21	VGGP001857K0	1	GEARBOX ASSY	
22	VGGP00819	1	COUPLING	

# LB 8200 / GEARBOX ASSY



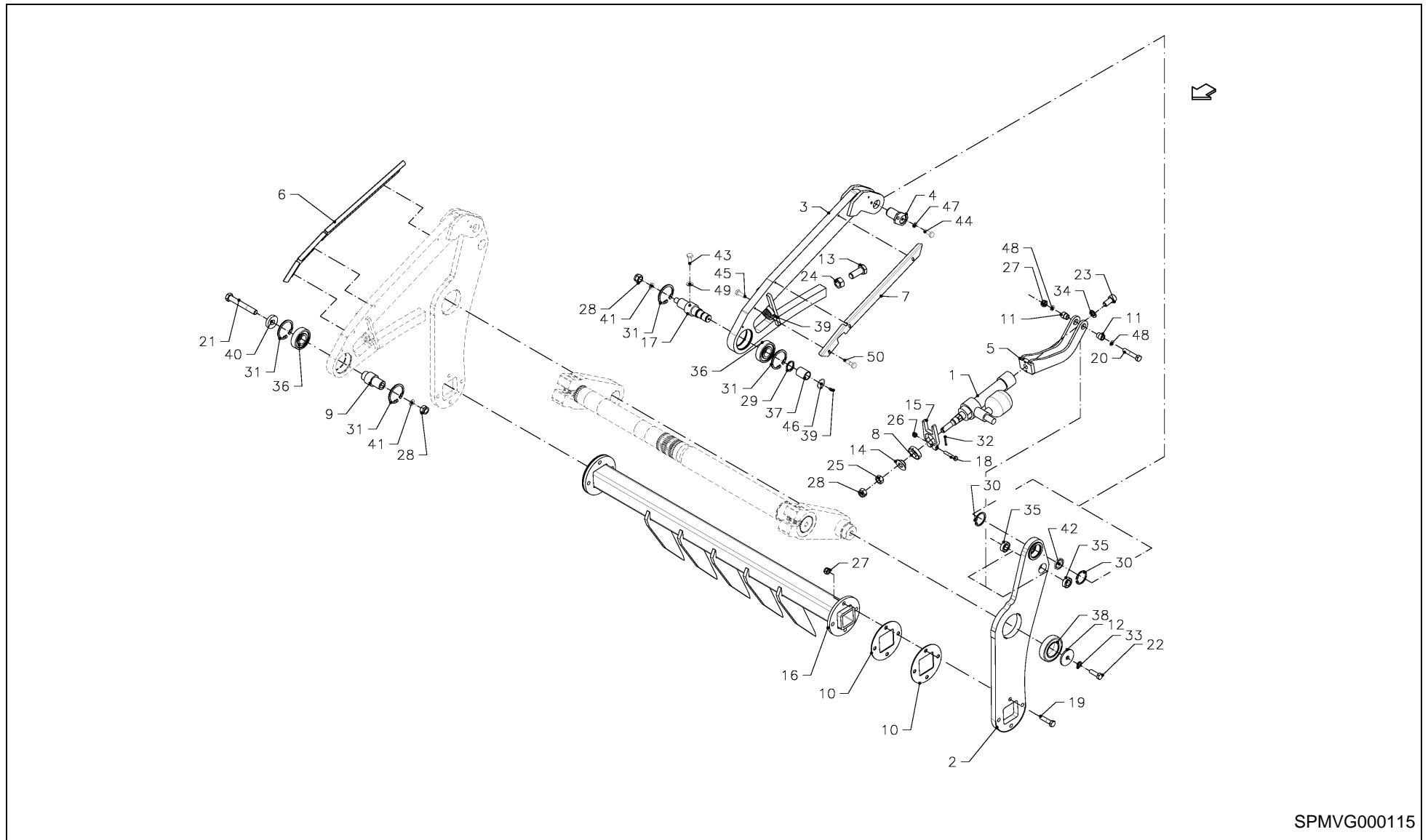
SPMVG000500



## LB 8200 / GEARBOX ASSY

PosNo.	Part No.	Qty.	Description	Remark
1	VGGP001857K0	1	GEARBOX ASSY	
2	VGGP00871	1	SHIM SET	
3	VGGP00872	1	SHIM SET	
4	VGGP1857	1	GEARBOX	
5	VGGP1858	1	LID	
6	VGGP859	1	WHEEL, TOOTHED	
7	VGGP00860	1	SHAFT ASSY	
8	VGGP861	3	WHEEL, TOOTHED	
9	VGGP862	3	SHAFT, DRIVE	
10	VGGP863	1	SLEEVE	
11	VGGP864	1	WHEEL, TOOTHED	
12	VGGP1859	1	O-RING	
13	VGGP869	1	RING	
14	VGGP870	1	RING	
15	KG00001800	3	SEAL COVER 85X10	
16	KG00596400	6	CHEESE HEAD SCREW M12X30 12.9	
17	KG01119200	3	CIRCLIP-B 85 X 4	
18	KG01132500	1	CIRCLIP-B 115 X 4	
19	KG01133300	1	CIRCLIP-B 150 X 4	
20	KG01800600	6	TAPER ROLLER BEARING 32209	
21	VGND3148V	6	WASHER	
22	VGND5263	1	SLEEVE, ROTATION	
23	VGND5264	1	SLEEVE, ROTATION	
24	VGND5265	2	CUSHION, TAPERED ROLLER	
25	VGND5266	1	CUSHION, TAPERED ROLLER	
26	VGND5267	1	CUSHION, TAPERED ROLLER	
27	VGND6360	2	OIL SEAL	
28	VGND6361	1	OIL SEAL	
29	VGND6362	1	OIL SEAL	
30	VGND6363	1	OIL SEAL	
31	KG01099900	3	CIRCLIP-A 45 X 2.5	
32	VGND92183V	1	PLUG, MAGNETIC	
33	VGND92185	1	GAUGEGLAS	
34	VGND9824		OMALA 100 SHELL(OLIE/LTR.BULK)	4 ltr
35	VGZR00510	1	SHIM SET -X73X85	
36	KG01132900	1	CIRCLIP-B 130 X 4	
37	VGND92184V	1	BREATHER	

# LB 8200 / FORK, INTAKE-



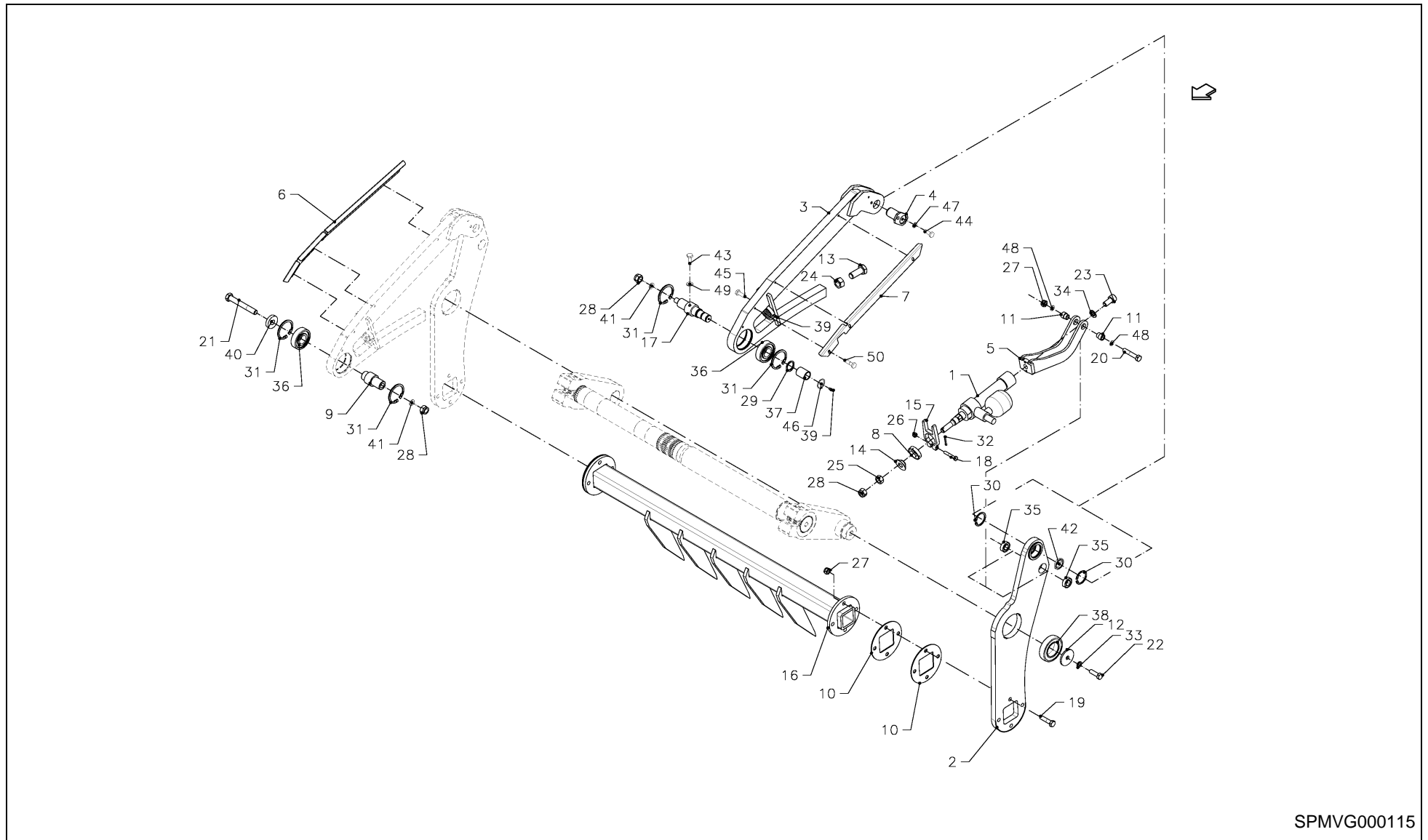
SPMVG000115

# LB 8200 / FORK, INTAKE-



PosNo.	Part No.	Qty.	Description	Remark
1	VGGP00855K0	2	CYLINDER	
2	VGGP0504K0	2	ARM, STEERING	
3	VGGP0510K0	2	ARM, STEERING	
4	VGGP0528V	2	PEN	
5	VGGP0935K0	2	ARM	
6	VGGP1326K0	1	PROFILE	
7	VGGP1327K0	1	PROFILE	
8	VGGP451	2	SHELL	
9	VGGP507V	1	PEN	
10	VGGP529V	4	PLATE	
11	VGGP559	2	SLEEVE	
12	VGGP665V	2	RING	
13	VGGP753V	2	BOUT	
14	VGGP934V	2	RING	
15	VGGP939K0	2	PLATE	
16	VGGR019K0	1	FORK, INTAKE-	
17	VGGR33V	1	PIN	
18	KG00353461	2	HEX. BOLT M8X50 8.8	
19	KG00357561	8	HEX. BOLT M12X50 8.8	
20	KG00357861	2	HEX. BOLT M12X65 8.8	
21	KG00362961	1	HEX. BOLT M16X120 8.8	
22	KG00476761	2	HEX. SCREW M12X40 8.8	
23	KG00554561	2	CHEESE HEAD SCREW M16X30 8.8	
24	KG01041261	2	HEX. NUT M20X1.5 8	
25	KG01052361	2	HEX. NUT M16 8	
26	KG01068761	2	LOCK NUT M8 10	
27	KG01068961	19	LOCK NUT M12 10	
28	KG01069161	4	LOCK NUT M16 10	
29	KG01099062	1	CIRCLIP-A 30 X 2	
30	KG01128762	4	CIRCLIP-B 47 X 1.75	
31	KG01130500	4	CIRCLIP-B 72 X 2.5	
32	KG01251561	2	SPLIT PIN 4X25 ST	
33	KG01281861	2	SPRING WASHER M12	
34	KG01282061	2	SPRING WASHER M16	
35	KG01354500	4	BALL BEARING 6003-2RS	
36	KG01490300	2	BALL BEARING 6306-2RS C3	
37	VGND5253	1	RING, INNER RACE	
38	VGND5259	2	CUSHION, BALL, ADJUSTABLE	
39	VGND9004V	5	GREASE NIPPLE	
40	VRR0220393	1	RING	

# LB 8200 / FORK, INTAKE-

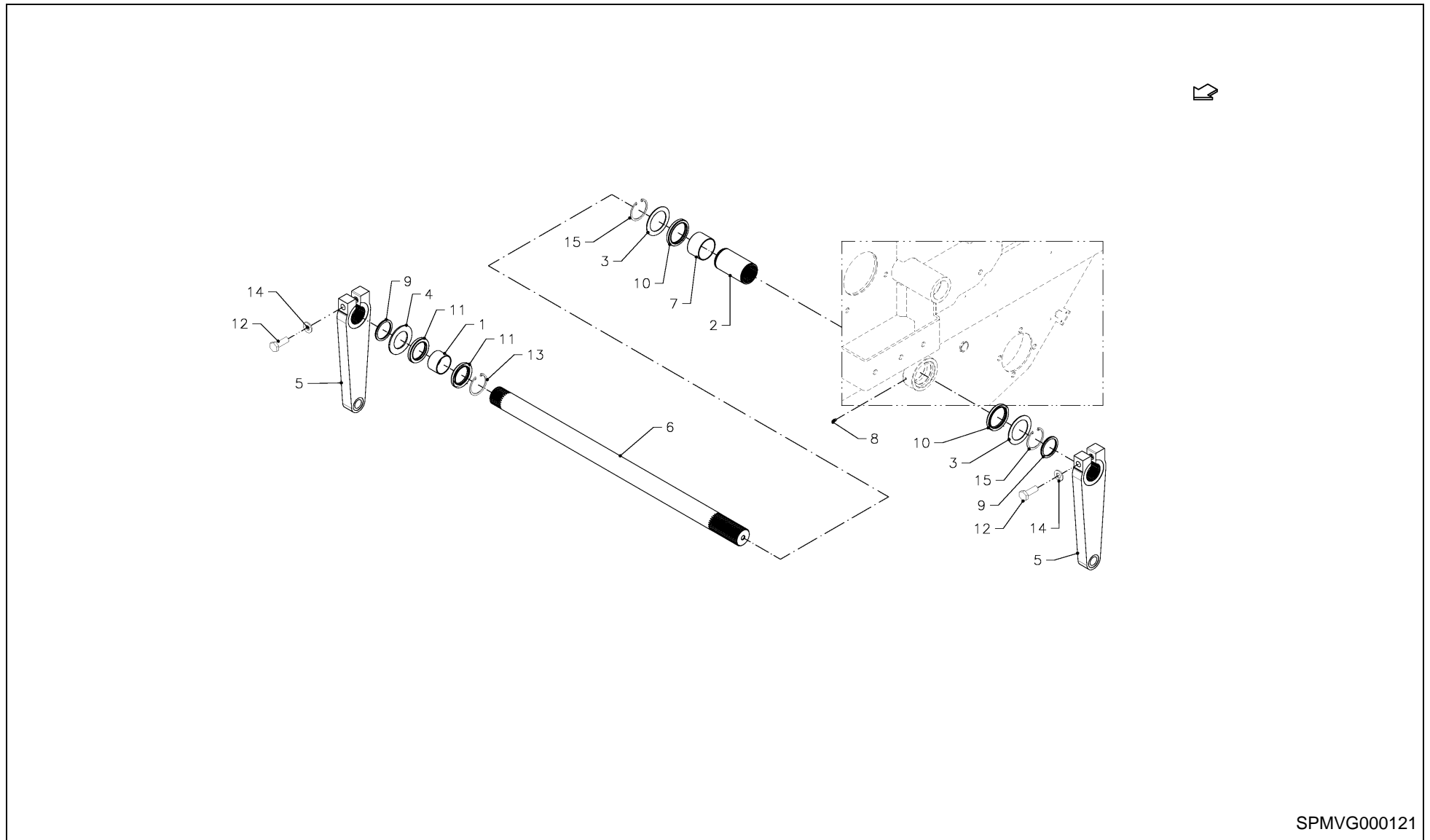


SPMVG000115

# LB 8200 / FORK, INTAKE-



PosNo.	Part No.	Qty.	Description	Remark
41	VG13925028V	2	RING	
42	VR40310406	2	BEARING SKF GE30ES-2RS	
43	KG00471461	1	HEX. SCREW M8X10 8.8	
44	KG00471961	2	HEX. SCREW M8X20 8.8	
45	KG00934162	2	SET SCREW M6X6 45H	
46	KG01098562	1	CIRCLIP-A 25 X 2	
47	KG01281661	2	SPRING WASHER M8	
48	KG01267561	4	WASHER M12	
49	VGND3146V	1	CIRCLIP	
50	KG01000161	6	FLANGED BOLT M6X12	



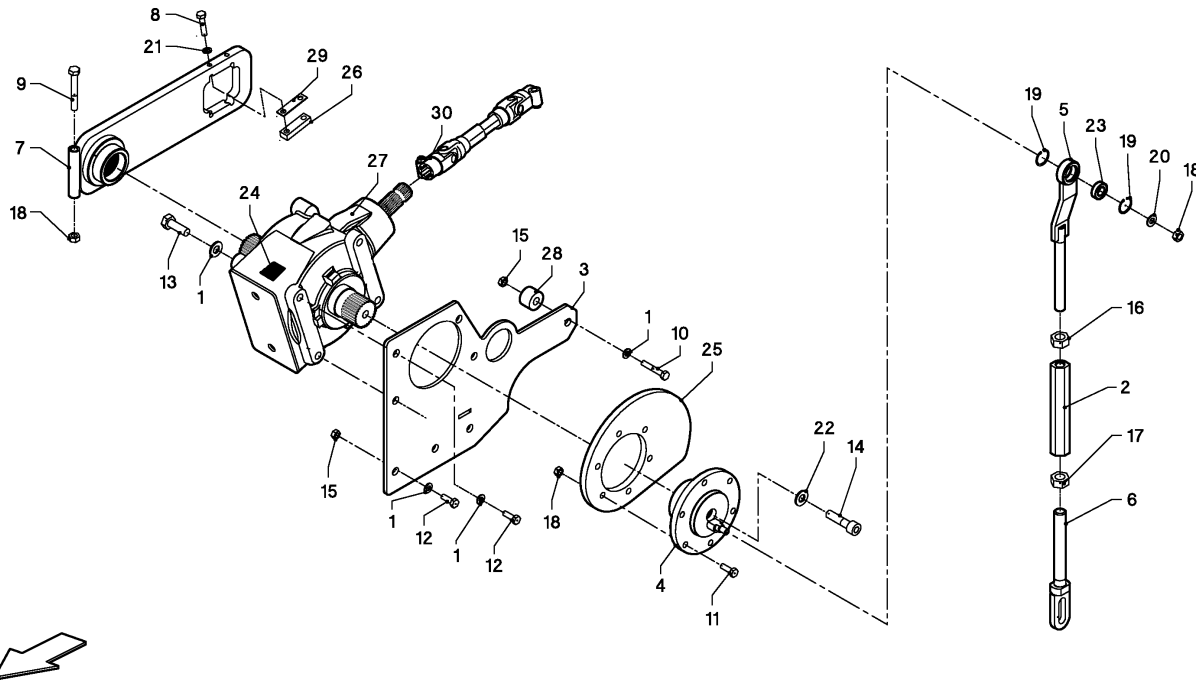


# LB 8200 / AXLE



PosNo.	Part No.	Qty.	Description	Remark
1	VN40227710	1	SLEEVE, ROTATION	
2	VGGP314	1	SLEEVE	
3	VGGP457V	2	RING	
4	VGGP458V	1	RING	
5	VGGP506K0	2	ARM	
6	VGGR26	1	AXLE	
7	VGND5255	1	SLEEVE, ROTATION	
8	VGND9004V	1	GREASE NIPPLE	
9	VGTH00145	2	SHIM SET	
10	KG00126600	2	RADIAL SHAFT SEAL - AS 70X90X10	
11	KG00149600	2	RADIAL SHAFT SEAL - AS 60X85X10	
12	KG00340461	2	SCREW TH 18X100 CL.10.9 NFE 27311	
13	KG01131100	1	CIRCLIP-B 85 X 3	
14	VGND3174V	2	CIRCLIP	
15	KG01111700	2	CIRCLIP-A 70 X 2.5	

# LB 8200 / LOCKING LEVER



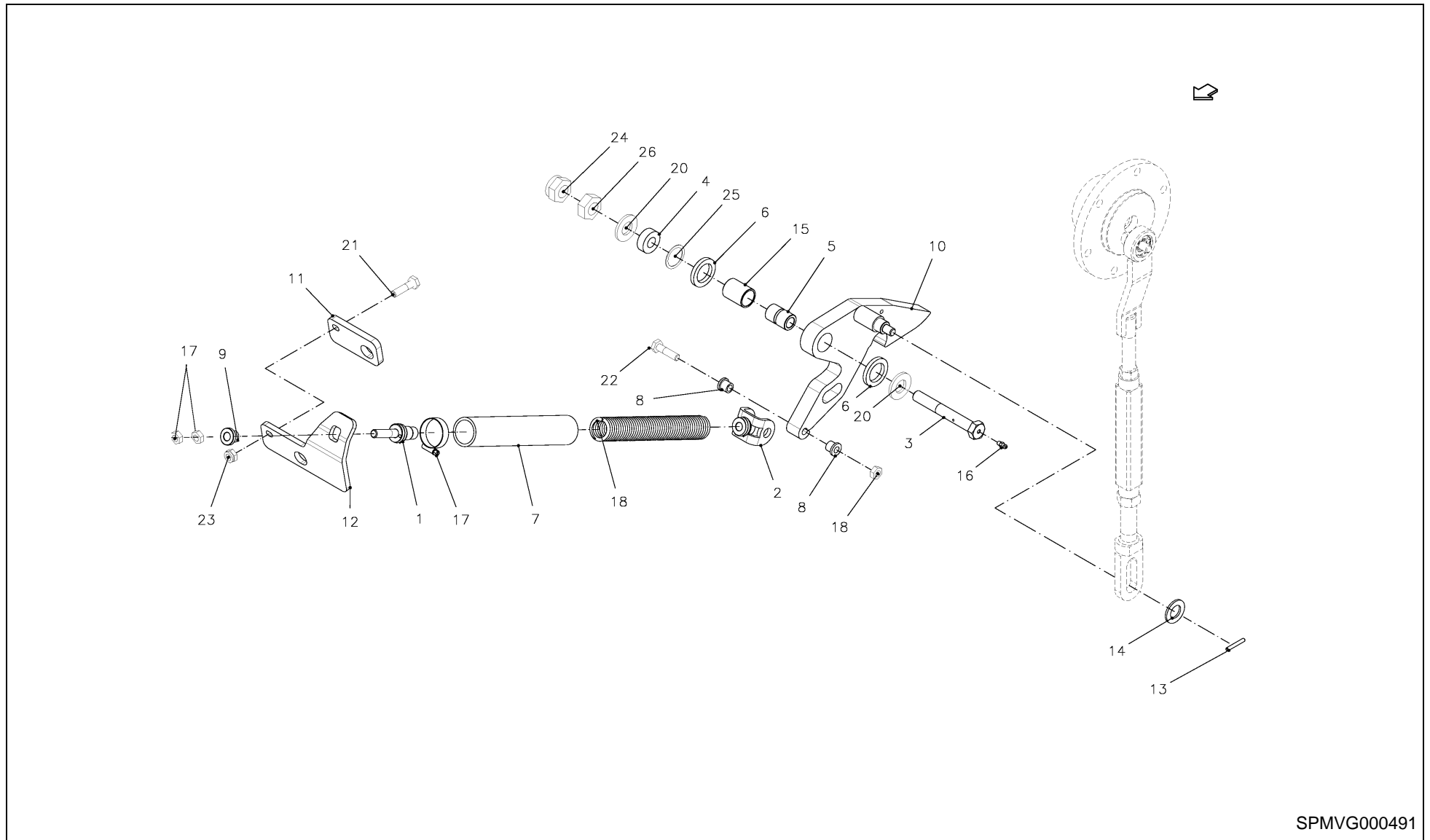
0501GR-3-045



## LB 8200 / LOCKING LEVER

PosNo.	Part No.	Qty.	Description	Remark
1	VG37129064V	12	WASHER, BELLEVILLE	
2	VGGP1352V	1	NUT, ADJUSTMENT	
3	VGGP905K0	1	SUPPORT	
4	VGGR035K0	1	DISC, ECCENTRIC	
5	VGGR037V	1	BRACKET	
6	VGGR042V	1	BRACKET, ADJUSTMENT	
7	VGGR064K0	1	CRANKSHAFT	
8	KG00353261	4	HEX. BOLT M8X40 8.8	
9	KG00358661	1	HEX. BOLT M12X130 8.8	
10	KG00362261	1	HEX. BOLT M16X65 8.8	
11	KG00476861	6	HEX. SCREW M12X45 8.8	
12	KG00480161	7	HEX. SCREW M16X35 8.8	
13	KG00480261	4	HEX. SCREW M16X40 8.8	
14	KG00627661	1	CHEESE HEAD SCREW M16X50 8.8	
15	KG01052361	4	HEX. NUT M16 8	
16	KG01052561	1	HEX. NUT M20 8	
17	KG01052761	1	HEX. NUT M24 8	
18	KG01068961	8	LOCK NUT M12 10	
19	KG01127562	2	CIRCLIP-B 35 X 1.5	
20	KG01267561	1	WASHER M12	
21	KG01281661	4	SPRING WASHER M8	
22	KG01282061	1	SPRING WASHER M16	
23	KG01354500	1	BALL BEARING 6003-2RS	
24	VGND9824		OMALA 100 SHELL(OLIE/LTR.BULK)	3,3 ltr
25	VRR0307482	1	CONTROL RUN	
26	VRR0412902	2	GUIDE	
27	VRR0519301	1	GEARBOX ASSY	
28	VRR0535193	1	SLEEVE	
29	VRR0658993	2	PLATE	
30	VRR0659001	1	SHAFT, UNIV. JOINT	

# LB 8200 / LOCKING LEVER



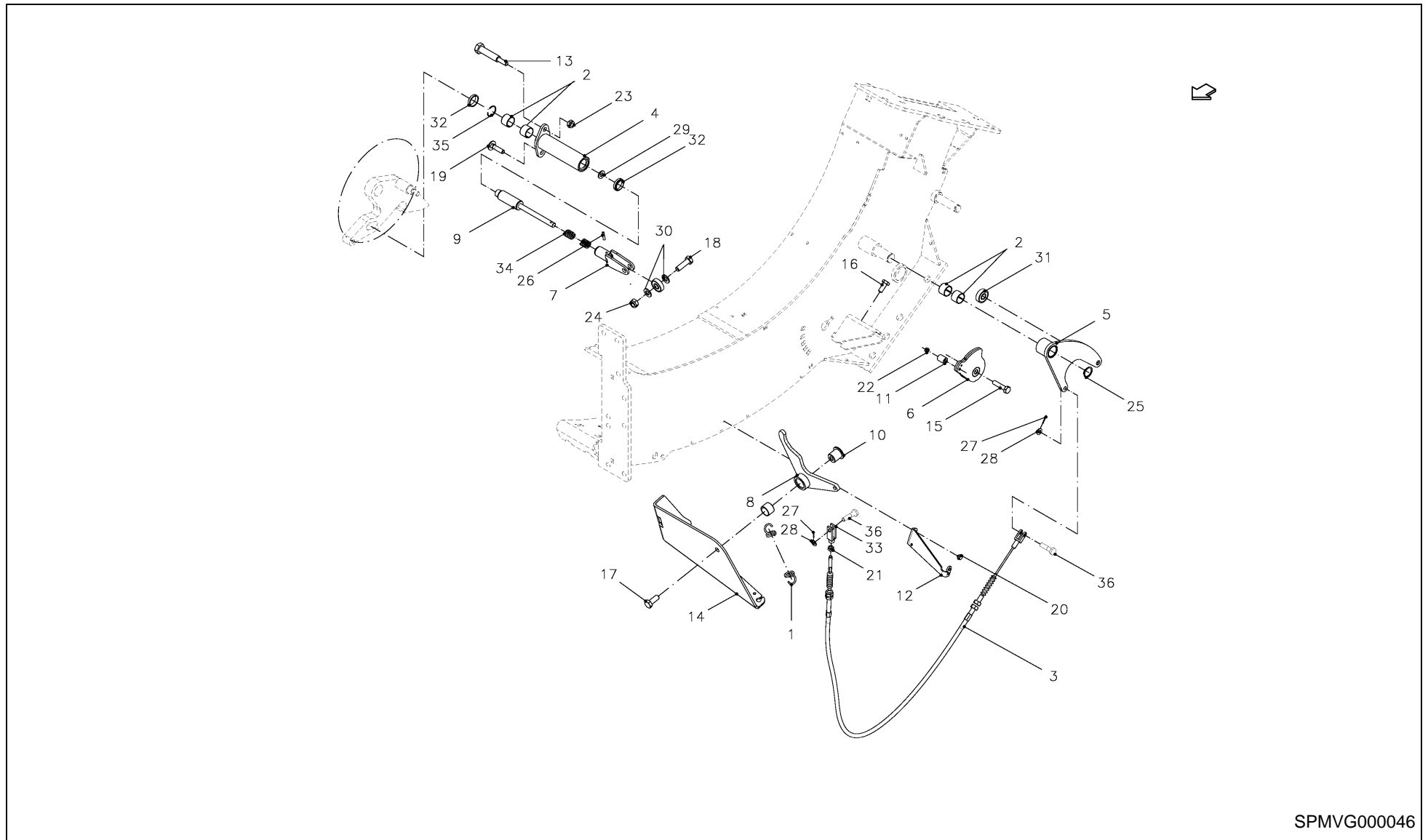
SPMVG000491



## LB 8200 / LOCKING LEVER

PosNo.	Part No.	Qty.	Description	Remark
1	VGGP0480V	1	HOLDER, SPRING	
2	VGGP0571V	1	VEERHOUDER	
3	VGGP1557	1	PIN	
4	VGGP1560V	1	RING	
5	VGGP526	1	SLEEVE, CUSHION	
6	VGGP672V	2	RING	
7	VGGP673	1	PIPE	
8	VGGP913	2	SLEEVE	
9	VGGP947V	1	SLEEVE	
10	GR0438K0	1	LOCKING LEVER	
11	VGGR158V	1	PLATE	
12	VGGR274K0	1	SUPPORT	
13	KG01188162	1	TENSION PIN 5X36	
14	KG01267961	1	WASHER M20	
15	VGND5253	1	RING, INNER RACE	
16	VGND9004V	1	GREASE NIPPLE	
17	KG01052161	2	HEX. NUT M12 8	
18	KG01068861	1	LOCK NUT M10 10	SECURED WITH LOCTITE 243
20	KG01267761	2	WASHER M16	
21	KG00353261	1	HEX. BOLT M8X40 8.8	
22	KG00355861	1	HEX. BOLT M10X70 8.8	
23	KG01068761	1	LOCK NUT M8 10	
24	KG01069161	1	LOCK NUT M16 10	SECURED WITH LOCTITE 243
25	VGMT00310	1	SHIM SET	
26	KG01052361	1	HEX. NUT M16 8	

# LB 8200 / PIN, LOCKING



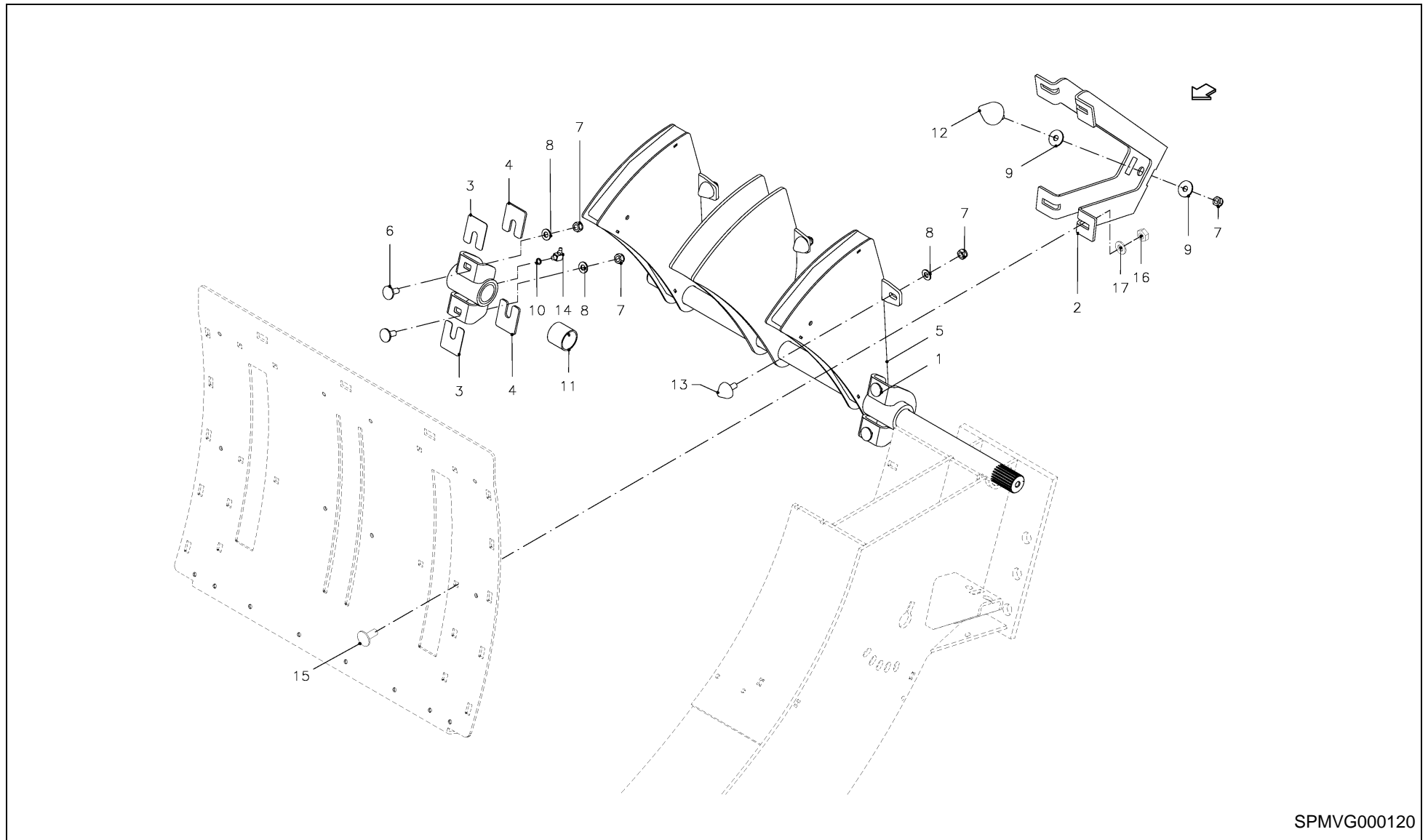
SPMVG000046

# LB 8200 / PIN, LOCKING



PosNo.	Part No.	Qty.	Description	Remark
1	VG18601320V	1	SPRING, TENSION	
2	VR40227280	5	BUSH	
3	VGGP001340	1	CABLE ASSY	
4	VGGP01034V	1	SUPPORT	
5	VGGP01050K0	1	ARM	
6	VGGP01053V	1	CAM	
7	VGGP01337V	1	YOKE	
8	VGGP01367K0	1	ARM	
9	VGGP1030	1	PIN	
10	VGGP1369V	1	SLEEVE	
11	VGGP1373V	1	SLEEVE	
12	VGGP1775K0	1	SUPPORT	
13	VGGP950V	1	BOLT, SPEC.	
14	VGGR0224K0	1	SUPPORT	
15	KG00355361	1	HEX. BOLT M10X45 8.8	
16	KG00474200	1	HEX. SCREW M10X25 8.8	
17	KG00476561	1	HEX. SCREW M12X30 8.8	
18	KG00476761	1	HEX. SCREW M12X40 8.8	
19	KG00641761	1	CARRIAGE BOLT M10X40 8.8	
20	KG01000161	2	FLANGED BOLT M6X12	
21	KG01051961	1	HEX. NUT M8 8	
22	KG01067361	1	LOCK NUT M6 8	
23	KG01068861	3	LOCK NUT M10 10	
24	KG01068961	1	LOCK NUT M12 10	
25	KG01108362	1	CIRCLIP-A 25 X 1.2	
26	KG01187762	1	TENSION PIN 5X26	
27	KG01248161	2	SPLIT PIN 2X16 ST	
28	KG01267361	2	WASHER M8	
29	KG01267461	2	WASHER M10	
30	KG01267561	2	WASHER M12	
31	VGND5257	2	ROLLER, CAM	
32	VGND6369	2	WIPER	
33	VGND9801V	1	CLEVIS ASSY G8X32DIN71752	
34	VGPZ468	1	SPRING, COMPRESSION	
35	VGPZ472	1	CIRCLIP	
36	VGGP1655V	2	PIN	

# LB 8200 / MEASURING PLATES



SPMVG000120

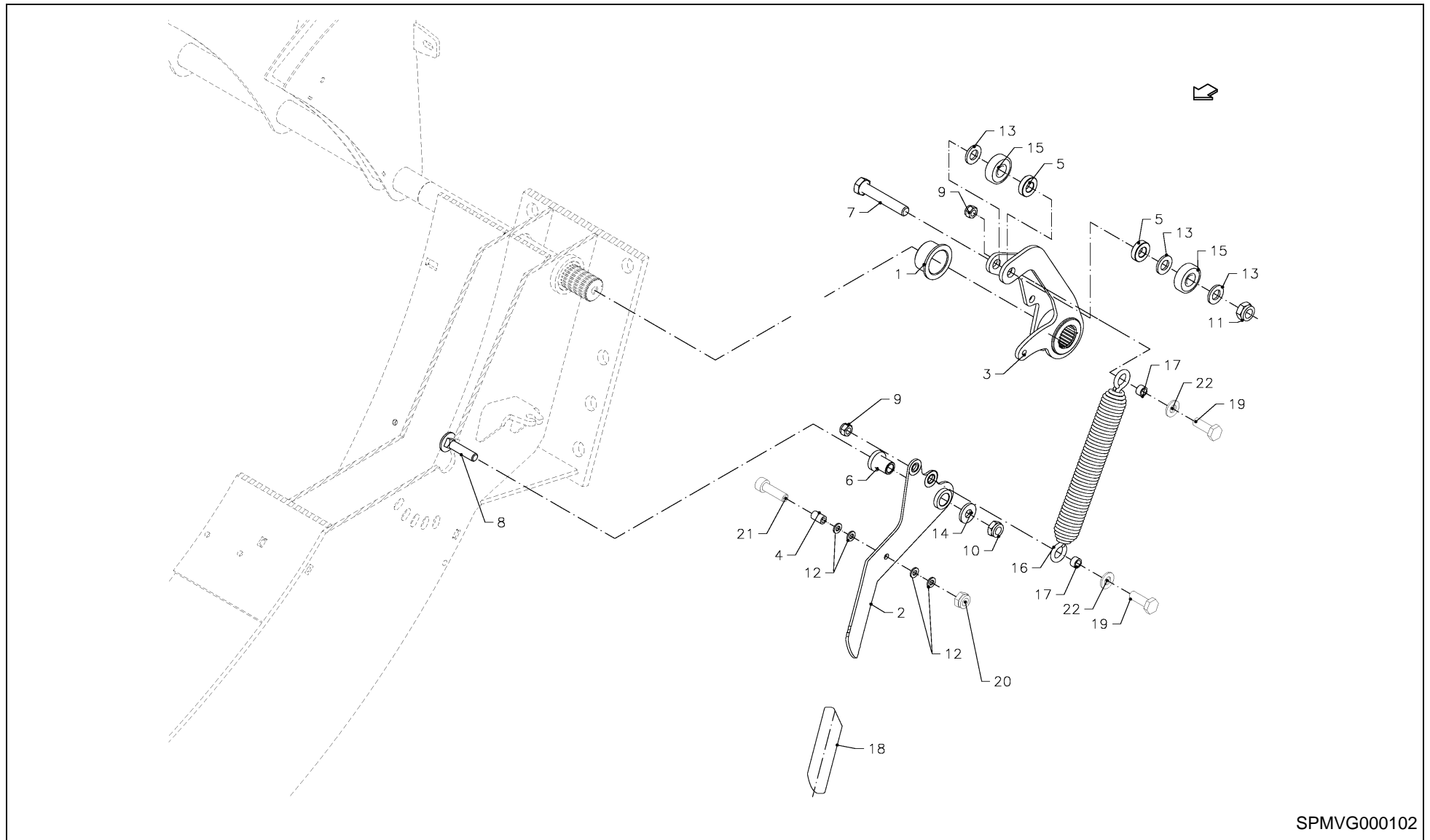




## LB 8200 / MEASURING PLATES

PosNo.	Part No.	Qty.	Description	Remark
1	VGGP001622K0	2	HOUSING, CUSHION, CPL.	
2	VGGP1644K0	2	SUPPORT	
3	VGGP1664V		PLATE, SHIM	GIVE QUANTITY WHEN ORDERING
4	VGGP1751V	2	PLATE, SHIM	
5	VGGR0395K0	1	MEASURING PLATES	
6	KG00639061	4	CARRIAGE BOLT M8X20 8.8	
7	KG01068761	12	LOCK NUT M8 10	
8	KG01267361	10	WASHER M8	
9	VGND3030V	4	WASHER, PLAIN	
10	VGND3141	2	WASHER, PLAIN 1X6X10	
11	VGND5280	2	SLEEVE, ROTATION	
12	VGND90036	2	DAMPER VIBRATION	
13	VGND90037	6	DAMPER VIBRATION	
14	VGND9248V	2	GREASE NIPPLE	
15	VGGM152V	8	CARRIAGE BOLT	
16	KG01051961	8	HEX. NUT M8 8	
17	VGND3146V	8	CIRCLIP	

# LB 8200 / ADJUSTMENT MEASURING PLATES



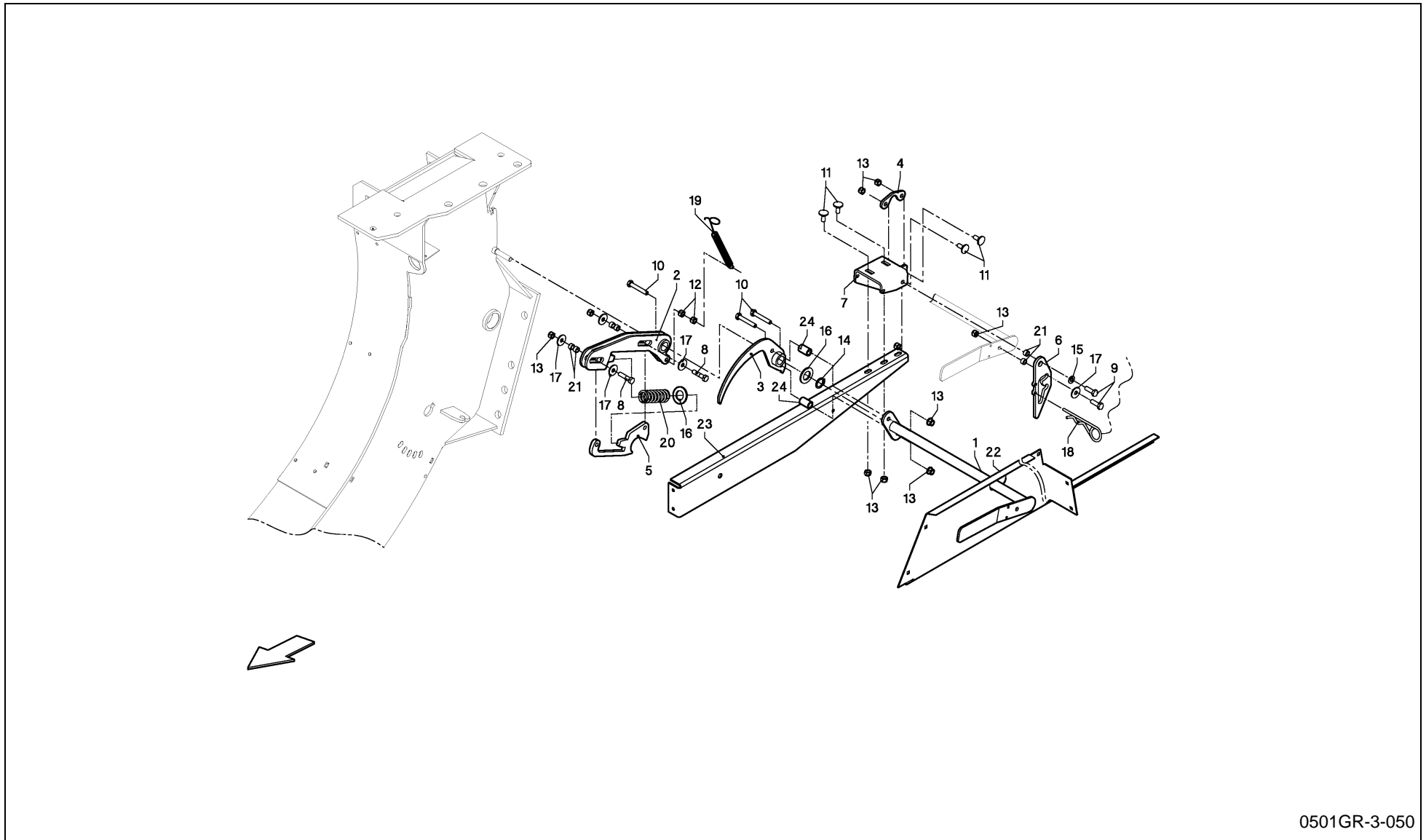
SPMVG000102



## LB 8200 / ADJUSTMENT MEASURING PLATES

PosNo.	Part No.	Qty.	Description	Remark
1	VGBR468	1	SLEEVE, CUSHION	
2	VGGP0704K0	1	HANDLE	
3	VGGP0994K0	1	ARM	
4	VGGP707V	1	SLEEVE	
5	VGGP756V	2	SLEEVE	
6	VGGP757V	2	SLEEVE	
7	KG00357961	1	HEX. BOLT M12X70 8.8	
8	KG00641861	1	CARRIAGE BOLT M10X45 8.8	
9	KG01068761	2	LOCK NUT M8 10	
10	KG01068861	1	LOCK NUT M10 10	
11	KG01068961	1	LOCK NUT M12 10	
12	KG01267261	4	WASHER M6	
13	KG01267561	3	WASHER M12	
14	VGMH416V	1	RING	
15	VGND5257	2	ROLLER, CAM	
16	VGPZ475V	1	SPRING, TENSION	
17	VRR0213393	2	SLEEVE	
18	VGWA453	1	GRIP	
19	KG00472161	2	HEX. SCREW M8X25 8.8	
20	KG01067361	1	LOCK NUT M6 8	
21	VGND1613V	1	ALLEN BOLT	
22	VGND3030V	2	WASHER, PLAIN	

# LB 8200 / ADJUSTMENT MEASURING PLATES



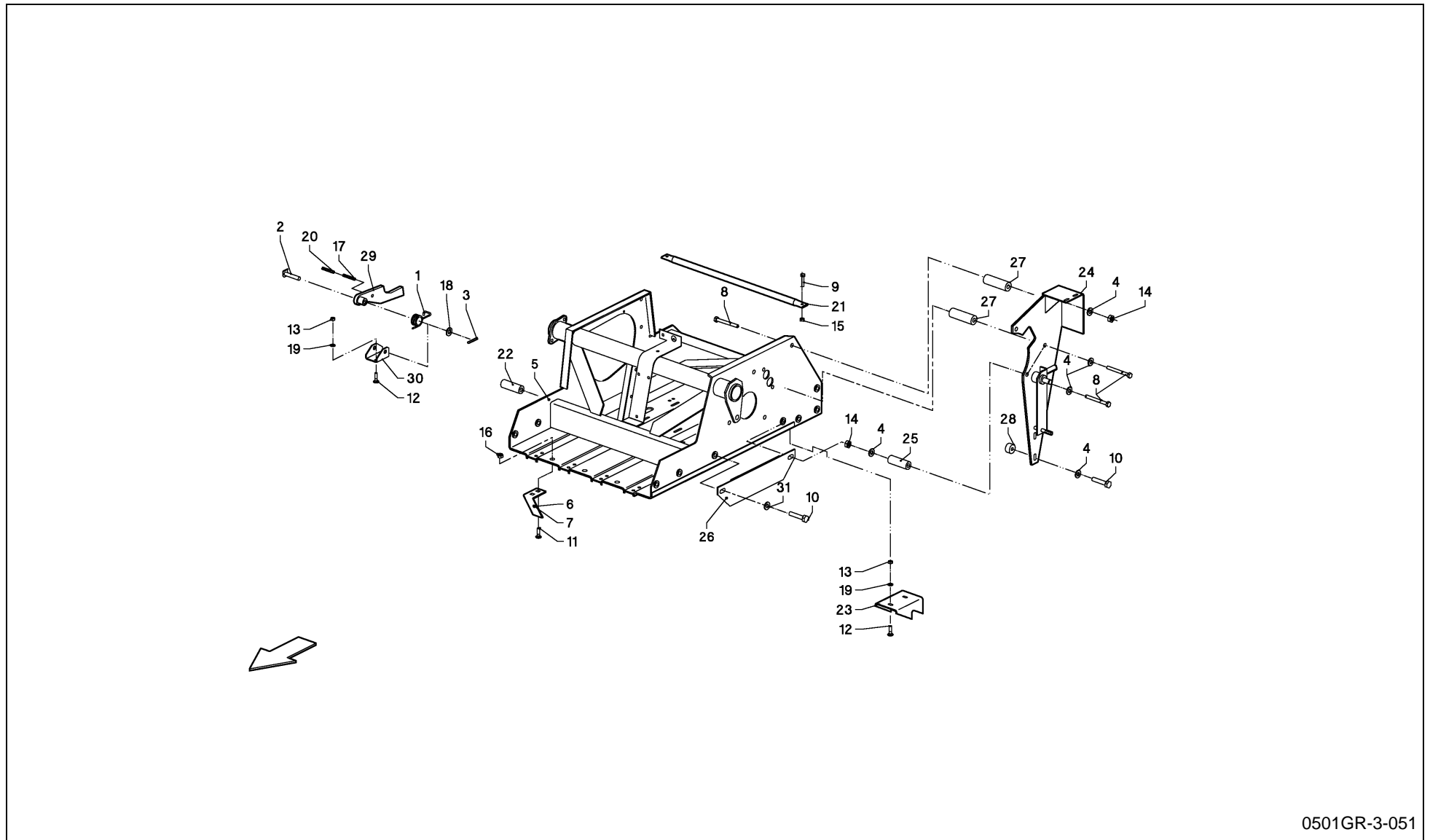
0501GR-3-050

# LB 8200 / ADJUSTMENT MEASURING PLATES



PosNo.	Part No.	Qty.	Description	Remark
1	VGGP01113K0	1	HANDLE	
2	VGGP01146K0	1	SUPPORT	
3	VGGP01157K0	1	HOOK	
4	VGGP1120V	1	PLATE	
5	VGGP1148K0	1	PLATE	
6	VGGP1149K0	1	PLATE	
7	VGGP1150K0	1	PLATE	
8	KG00353161	2	HEX. BOLT M8X35 8.8	
9	KG00472161	2	HEX. SCREW M8X25 8.8	
10	KG00472661	3	HEX. SCREW M8X50 8.8	
11	KG00639061	4	CARRIAGE BOLT M8X20 8.8	
12	KG01051961	2	HEX. NUT M8 8	
13	KG01068761	10	LOCK NUT M8 10	
14	KG01098200	1	CIRCLIP-A 20 X 1.75	
15	KG01267361	1	WASHER M8	
16	KG01267961	2	WASHER M20	
17	VGND3030V	5	WASHER, PLAIN	
18	VGPZ00160V	1	SPRING CLIP ASSY DIAM, 3MM	
19	VGPZ129V	1	SPRING, TENSION	
20	VGPZ19V	1	SPRING, COMPRESSION	
21	VRR0213393	4	SLEEVE	
22	VRR0675382	1	SHIELD, UPPER, LH	
23	VRR0715382	1	SUPPORT, LH	
24	VGWA956V	2	BUSH	

# LB 8200 / KNOTTING APPARATUS



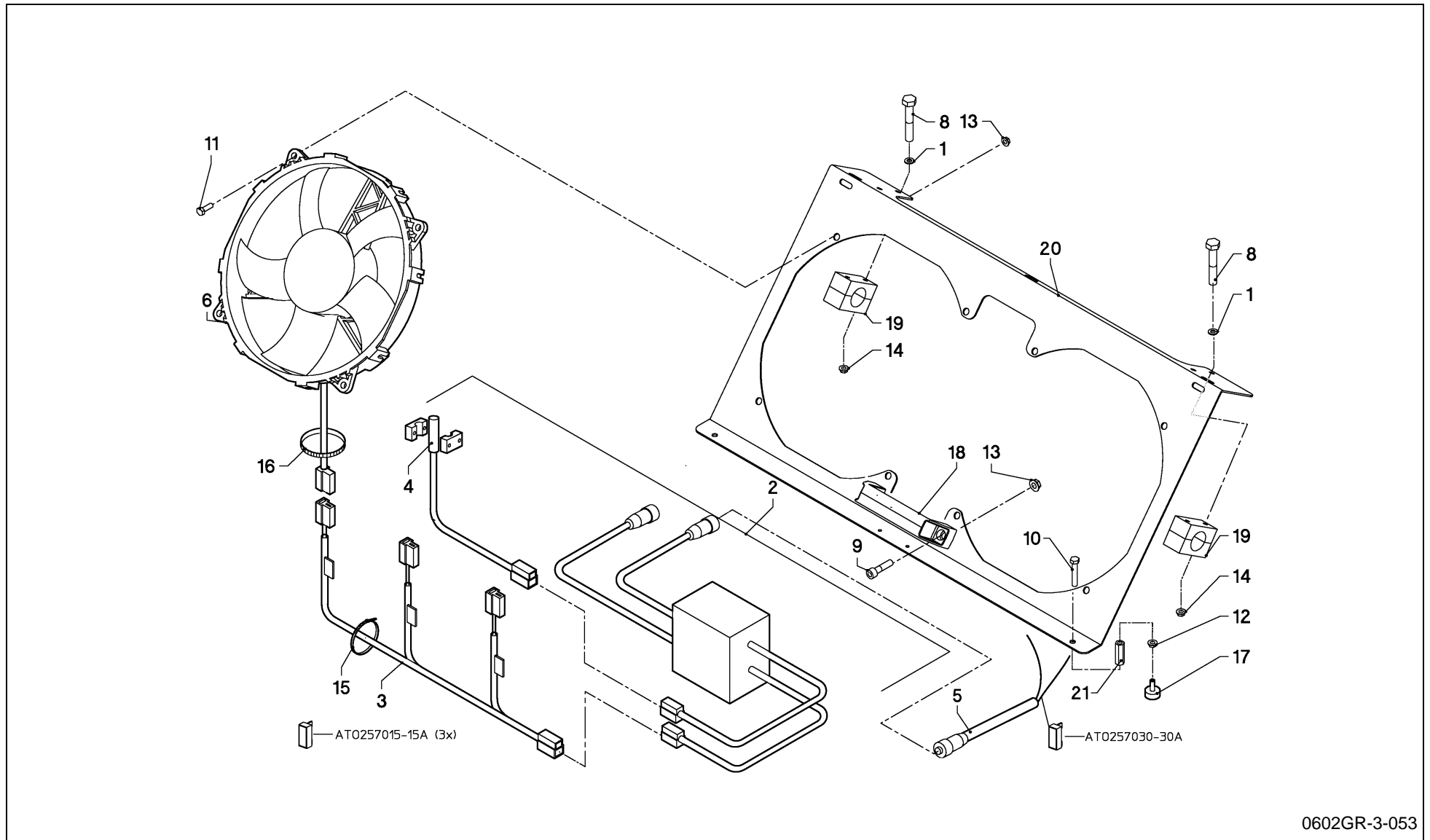
0501GR-3-051

# LB 8200 / KNOTTING APPARATUS



PosNo.	Part No.	Qty.	Description	Remark
1	VR18604562	3	SPRING, TORSION	
2	VR25018003	3	PIN	
3	VR30803337	3	PIN, TENSION	
4	VG37129064V	5	WASHER, BELLEVILLE	
5	VGGR0134K0	1	FRAME	
6	VGGR175K0	4	STRIP	
7	VGGR176K0	4	STRIP	
8	KG00363461	3	HEX. BOLT M16X170 8.8	
9	KG00472161	2	HEX. SCREW M8X25 8.8	
10	KG00480061	2	HEX. SCREW M16X30 8.8	
11	KG00641461	4	CARRIAGE BOLT M10X25 8.8	
12	KG00641661	12	CARRIAGE BOLT M10X35 8.8	
13	KG01052061	12	HEX. NUT M10 8	
14	KG01052361	2	HEX. NUT M16 8	
15	KG01061261	2	LOCK NUT M8 8	
16	KG01068861	4	LOCK NUT M10 10	
17	KG01195362	3	TENSION PIN 12X36	
18	KG01267761	3	WASHER M16	
19	VGND3147V	12	WASHER	
20	VGND4031V	3	PIN, TENSION	
21	VRR0109182	1	BAR, PULL	
22	VRR0305382	1	PIPE	
23	VRR0368382	3	HOLDER	
24	VRR0409482	1	SUPPORT	
25	VRR0411582	1	PIPE	
26	VRR0411982	1	PLATE	
27	VRR0473882	2	PIPE	
28	VRR0473993	1	SLEEVE	
29	VRR0476982	3	BRACKET	
30	VRR0578682	3	BRACKET	
31	VGTK50V	20	WASHER, PLAIN 4X16.5X43	

# LB 8200 / FAN, SET



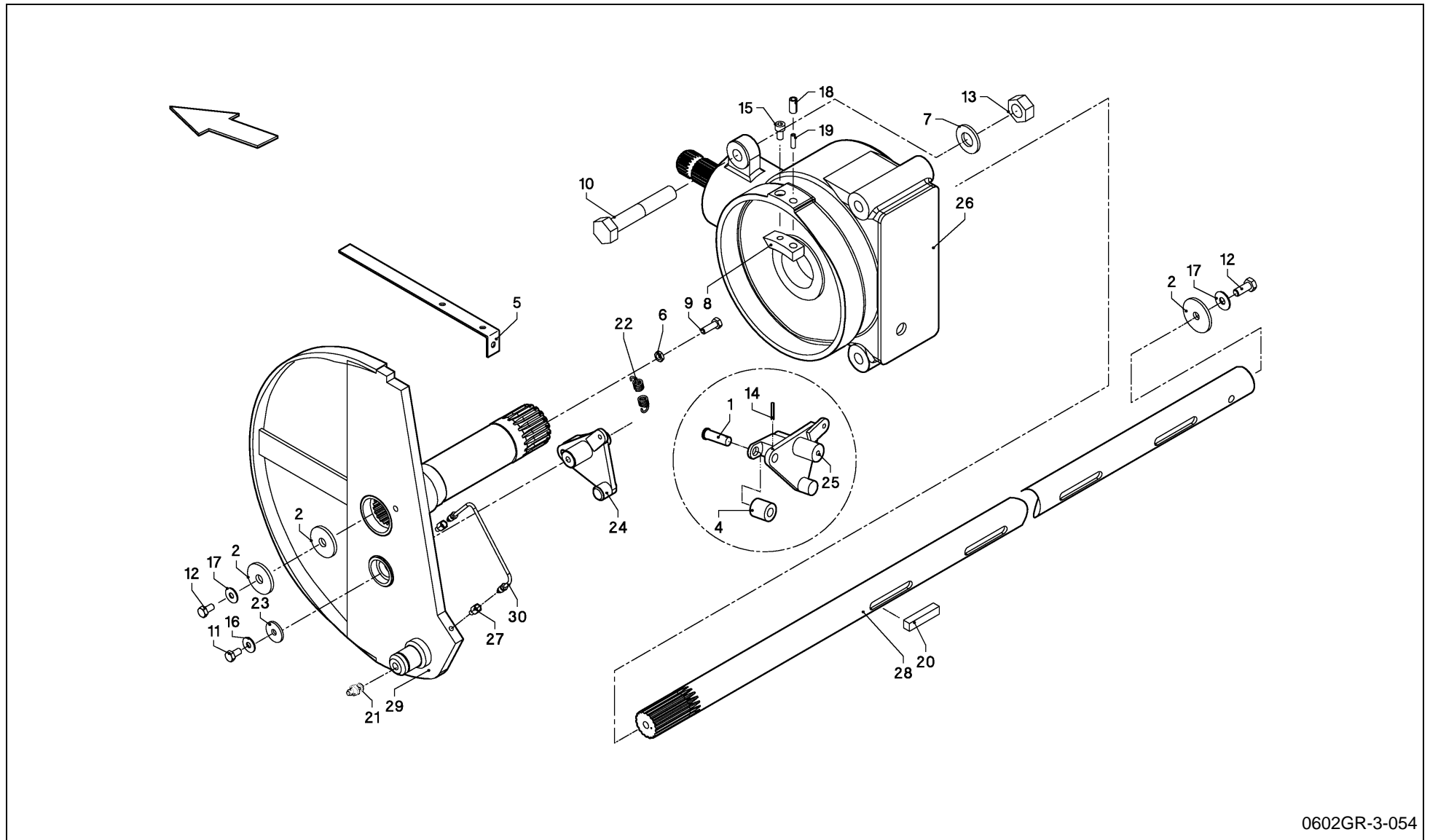
0602GR-3-053





## LB 8200 / FAN, SET

PosNo.	Part No.	Qty.	Description	Remark
1	VG37129050V	4	WASHER, BELLEVILLE	
2	VN79730407	1	BB FAN SWITCH RELAIS BOX	
3	VNB0262073	1	SET CABLE FANS 3X	
4	VNB0391273	1	SENSOR ASSY PROX PLAST L=0.3M	
5	VNB0398573	1	CABLE BATTERY L=5M	
6	VGGP1111	2	FAN, SET	
8	KG00351261	4	HEX. BOLT M6X50 8.8	
9	KG00544961	2	CHEESE HEAD SCREW M8X16 8.8	
10	KG00980561	2	FLANGED BOLT M6X12 90	
11	KG00981261	8	FLANGED BOLT M8X20 90	
12	KG01061161	4	LOCK NUT M6 8	
13	KG01061261	14	LOCK NUT M8 8	
14	KG01067361	4	LOCK NUT M6 8	
15	VGND95044	11	CABLE TIE	
16	VGND9843	3	CABLE TIE	
17	VRR0096801	2	STOP	
18	VRR0166601	1	HANDLE	
19	VRR0429301	2	CLAMP	
20	VRR0839982	1	PLATE	
21	VGND2164V	2	NUT, HEX SPEC.	



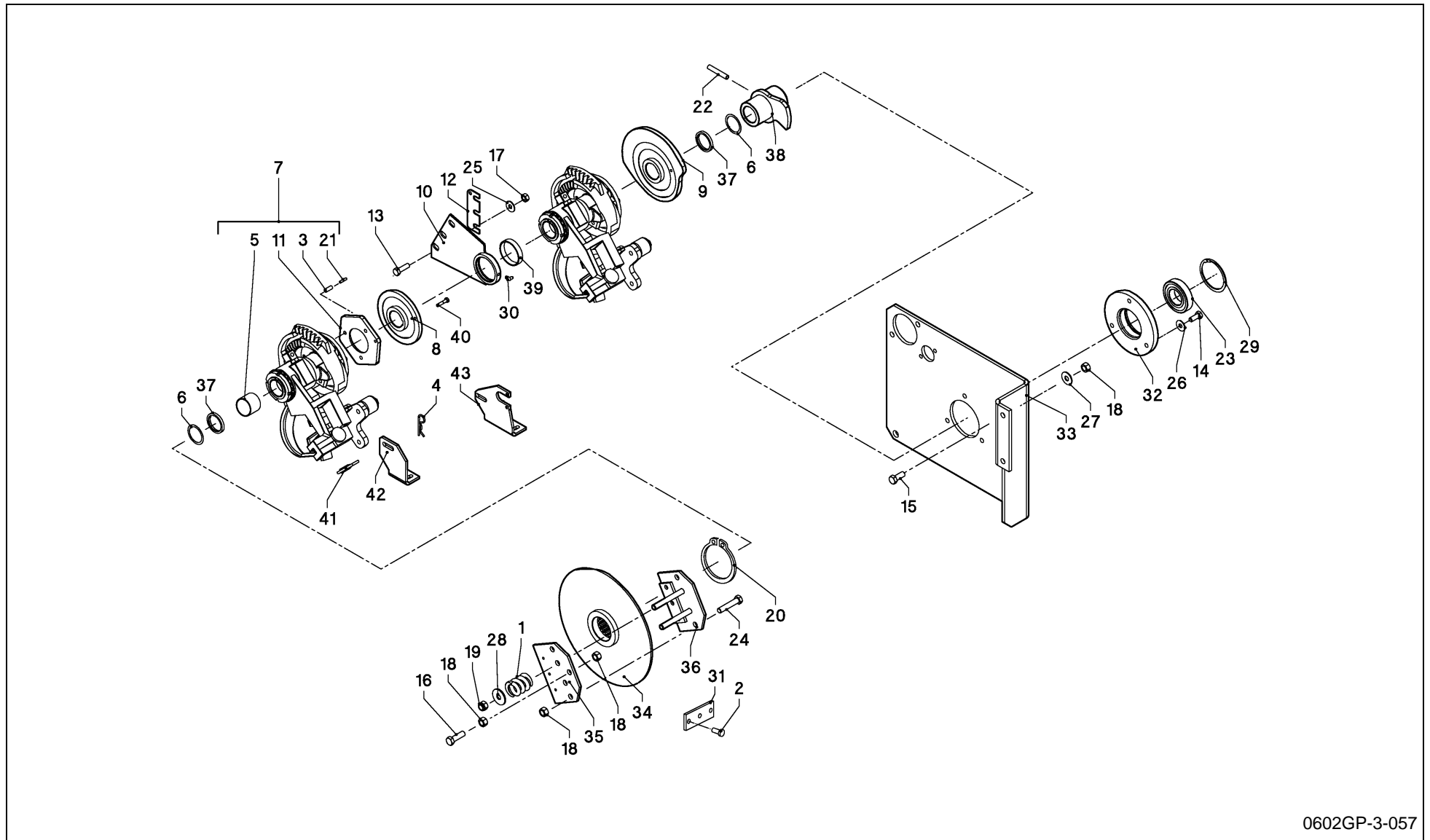
0602GR-3-054

# LB 8200 / GEARBOX



PosNo.	Part No.	Qty.	Description	Remark
1	VR11695006	1	PIN	
2	VR13925001	3	RING	
4	VR13955005	1	ROLLER, CYLINDER	
5	VR19057016	1	STRIP	
6	VG37064250V	1	NUT, HEX SPEC.	
7	VG37129064V	1	WASHER, BELLEVILLE	
8	VGGP1163	1	CATCH	
9	KG00353161	1	HEX. BOLT M8X35 8.8	
10	KG00362061	1	HEX. BOLT M16X55 8.8	
11	KG00471761	1	HEX. SCREW M8X16 8.8	
12	KG00474261	2	HEX. SCREW M10X25 8.8	
13	KG01052361	1	HEX. NUT M16 8	
14	KG01207762	1	TENSION PIN 3X30	
15	VGND1616	1	INBUSBOUT M8X1X20 MET BORGMIDDEL	SECURED WITH LOCTITE 243
16	VGND3146V	1	CIRCLIP	
17	VGND3147V	2	WASHER	
18	VGND4157V	1	PIN, TENSION	
19	VGND4158V	1	SPIRAAL SPANSTIFT 6X28	
20	VGND7020	4	KEY	
21	VGND9670V	1	GREASE NIPPLE M10X180DGR	
22	VGPZ474V	1	SPRING, TENSION	
23	VRR0236093	1	RING	
24	VRR0376800	1	LEVER	
25	VRR0376993	1	PAWL	
26	VRR0407201	1	GEARBOX ASSY	
27	VRR0480120	2	STUD COUPLING	
28	VRR0588702	1	SHAFT, DRIVE	
29	VRR0695682	1	ARM	
30	VRR0695993	1	PIPE, HYDR.	

# LB 8200 / KNOTTING APPARATUS



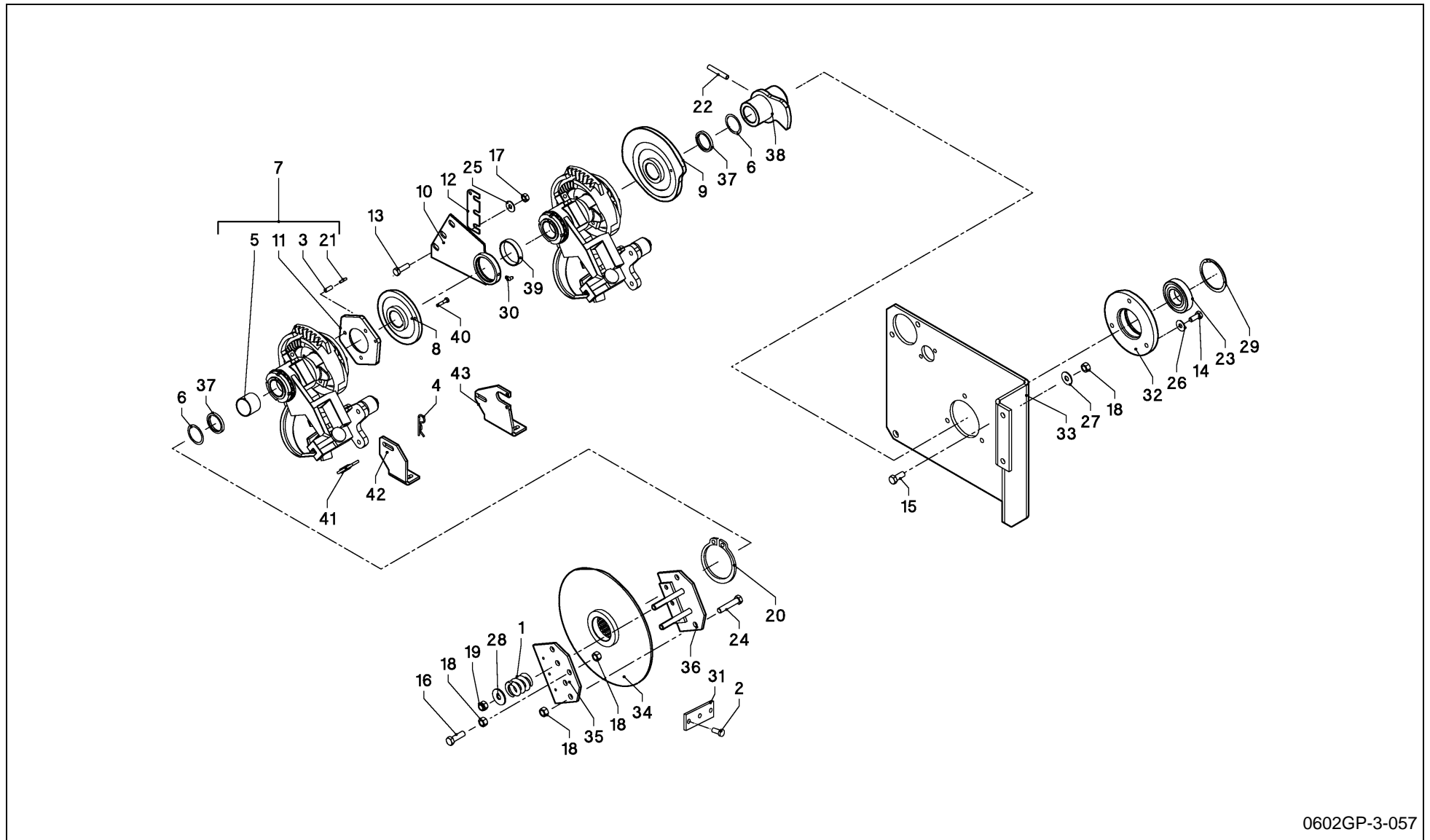
0602GP-3-057



## LB 8200 / KNOTTING APPARATUS

PosNo.	Part No.	Qty.	Description	Remark
1	VR18602811	2	SPRING, COMPRESSION	
2	VR30703482	6	RIVET, BLIND	
3	VR30803820	4	PIN, TENSION	
4	VR37158050	4	PIN	
5	VR40227740	8	SLEEVE, ROTATION	
6	VGAH00132	2	SHIM SET	GIVE QUANTITY WHEN ORDERING
7	VGGP001	4	KNOTTING APPARATUS	
8	VGGP1319V	3	HUB	
9	VGGP05V	1	CONTROL RUN	
10	VGGP0938K0	1	SUPPORT	
11	VGGP2V	4	FLANGE	
12	VGGP946V	2	PLATE, SHIM	
13	KG00641561	3	CARRIAGE BOLT M10X30 8.8	
14	KG00474261	3	HEX. SCREW M10X25 8.8	
15	KG00476561	4	HEX. SCREW M12X30 8.8	
16	KG00476761	1	HEX. SCREW M12X40 8.8	
17	KG01068861	3	LOCK NUT M10 10	
18	KG01052161	6	HEX. NUT M12 8	
19	KG01068961	2	LOCK NUT M12 10	
20	KG01111162	1	CIRCLIP-A 60 X 2	
21	KG01187562	4	TENSION PIN 5X20	
22	KG01194262	1	TENSION PIN 10X60	
23	KG01382000	1	BALL BEARING 6208-2RS	
24	VGND1321V	2	BOLT M12X65-10.9	
25	KG01267461	3	WASHER M10	
26	VGND3147V	3	WASHER	
27	VGND3148V	4	WASHER	
28	VGND3163V	2	WASHER, PLAIN	
29	KG01130900	1	CIRCLIP-B 80 X 2.5	
30	VGND9027V	1	GREASE NIPPLE M6X135DEG	
31	VRR0237178	2	DISC, FRICTION	
32	VRR0377582	1	FLANGE	
33	VRR0394782	1	PLATE	
34	VRR0460082	1	DISC	
35	VRR0569600	1	DISC, FRICTION	
36	VRR0569700	1	DISC, FRICTION	
37	VRR0573893	2	RING	
38	VRR0575982	1	TRACK, CAM CONTROL	
39	VRR0576002	1	SLEEVE	
40	VRR0579900	1	SHEAR BOLT SET	

# LB 8200 / KNOTTING APPARATUS

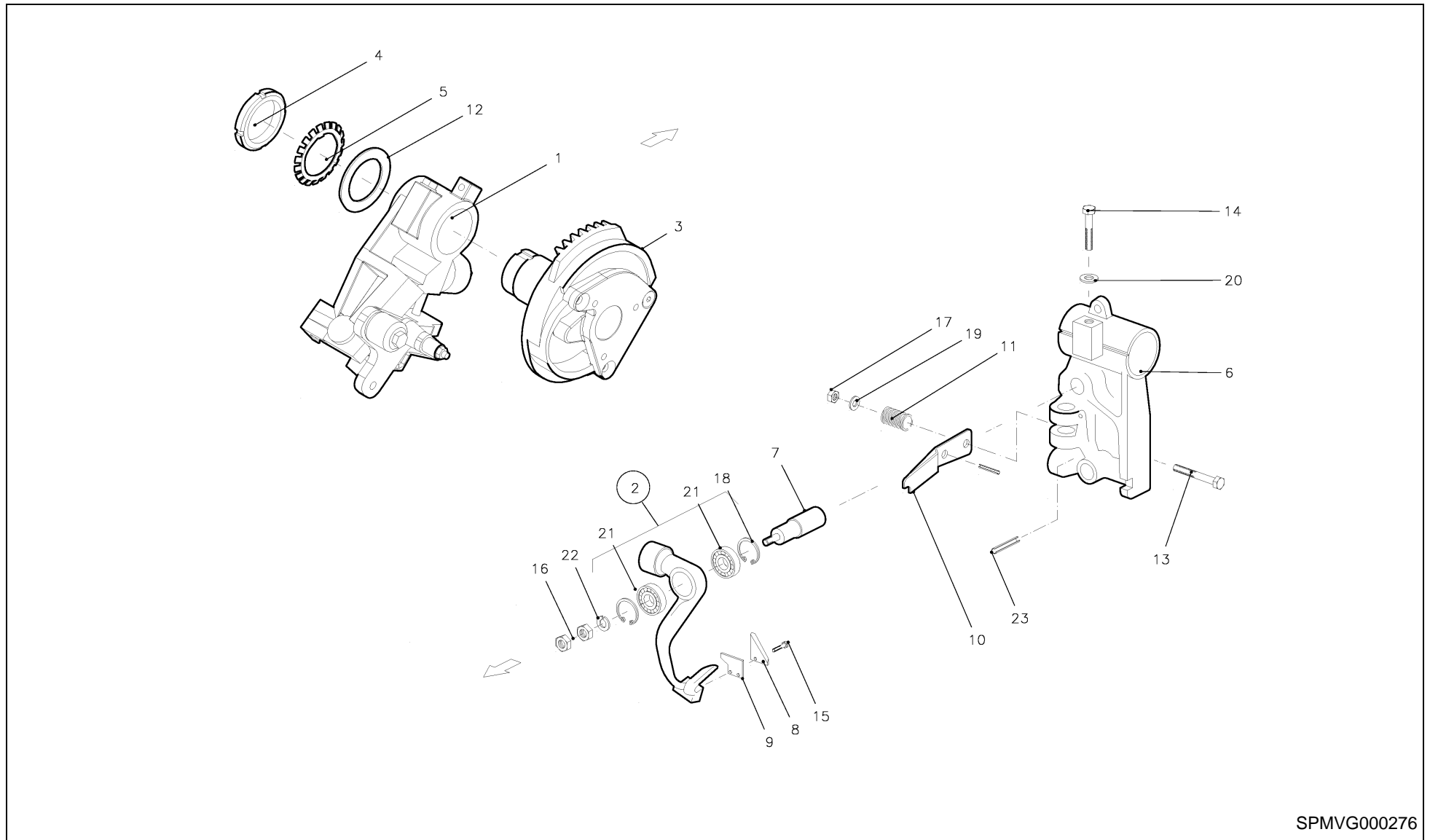


0602GP-3-057

# LB 8200 / KNOTTING APPARATUS



PosNo.	Part No.	Qty.	Description	Remark
41	VRR0698593	4	PIN	
42	VRR0814382	2	SUPPORT	
43	VRR0825882	2	SUPPORT	



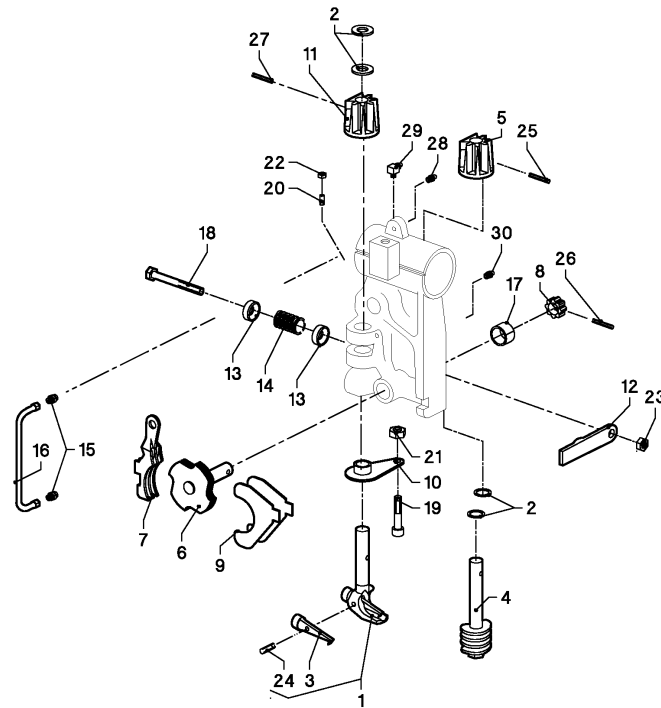
SPMVG000276



# LB 8200 / LEVER



PosNo.	Part No.	Qty.	Description	Remark
1	VGGP0015	4	KNOTTING APPARATUS	
2	VGGP0021	4	LEVER	
3	VGGP0044	4	KNOTTERDISC	
4	VGGP17V	4	NUT, LOCK	
5	VGGP18V	4	WASHER, PLAIN	
6	VGGP19V	4	FRAME	
7	VGGP20	4	AXLE	
8	VGGP22	4	BLADES	
9	VGGP23V	4	STOP	
10	VGGP24	4	LEVER	
11	VGGP25V	6	SPRING, COMPRESSION	
12	VGGP43V	4	WASHER, PLAIN	
13	VGGP1607V	4	BOLT	
14	KG00355561	8	HEX. BOLT M10X55 8.8	
15	KG00467261	8	HEX. SCREW M5X16 8.8	
16	KG01052061	8	HEX. NUT M10 8	
17	KG01068761	4	LOCK NUT M8 10	
18	KG01127562	8	CIRCLIP-B 35 X 1.5	
19	KG01267361	4	WASHER M8	
20	KG01267461	4	WASHER M10	
21	KG01354500	8	BALL BEARING 6003-2RS	
22	VGND3157V	4	WASHER, PLAIN	
23	VGND4152	8	PIN, TENSION	

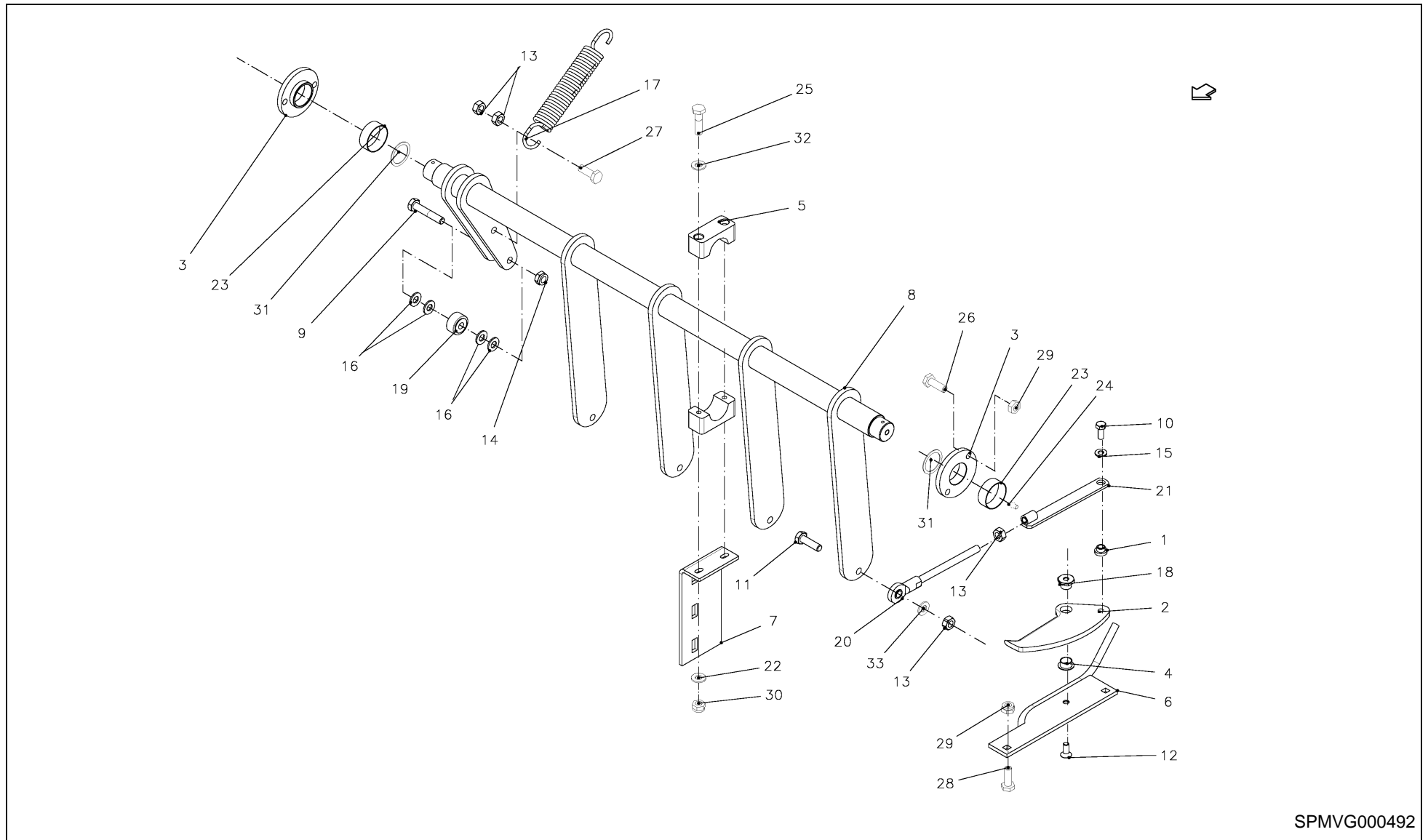


# LB 8200 / BRAKE



PosNo.	Part No.	Qty.	Description	Remark
1	VGGP001322	4	BILL HOOK	GIVE QUANTITY WHEN ORDERING
2	VGGP0045	4	SHIM	
3	VGGP001321	4	HOOK	
4	VGGP26	4	WORM	
5	VGGP27V	4	WHEEL, TOOTHED	
6	VGGP28V	4	DISC	
7	VGGP29V	4	BRAKE PAD	
8	VGGP30	4	WHEEL, TOOTHED	
9	VGGP31V	4	PLATE	
10	VGGP32V	4	TRACK, CAM CONTROL	
11	VGGP34V	4	WHEEL, TOOTHED	
12	VGGP36V	4	LEVER	
13	VGGP37V	8	WASHER, PLAIN	
14	VGGP38V	4	SPRING	
15	VGGP39V	8	COUPLING	
16	VGGP40V	4	HOSE	
17	VGGP41	4	RING	
18	KG00356061	4	HEX. BOLT M10X80 8.8	
19	KG00892963	4	COUNTERSUNK HEAD SCREW M5X25 4.8	
20	KG00968762	4	SET SCREW M8X25 45H	
21	KG01044600	4	HEX. NUT M5 A2	
22	KG01051961	4	HEX. NUT M8 8	
23	KG01068861	4	LOCK NUT M10 10	
24	VGND4148	4	PIN	
25	VGND4149	4	PIN, TENSION	
26	VGND4150	4	PIN, TENSION	
27	VGND4151	4	PIN, TENSION	
28	VGND9004V	4	GREASE NIPPLE	
29	VGND98026V	8	GREASE NIPPLE	
30	VGND9813V	8	GREASE NIPPLE	

# LB 8200 / TWINE PLATE



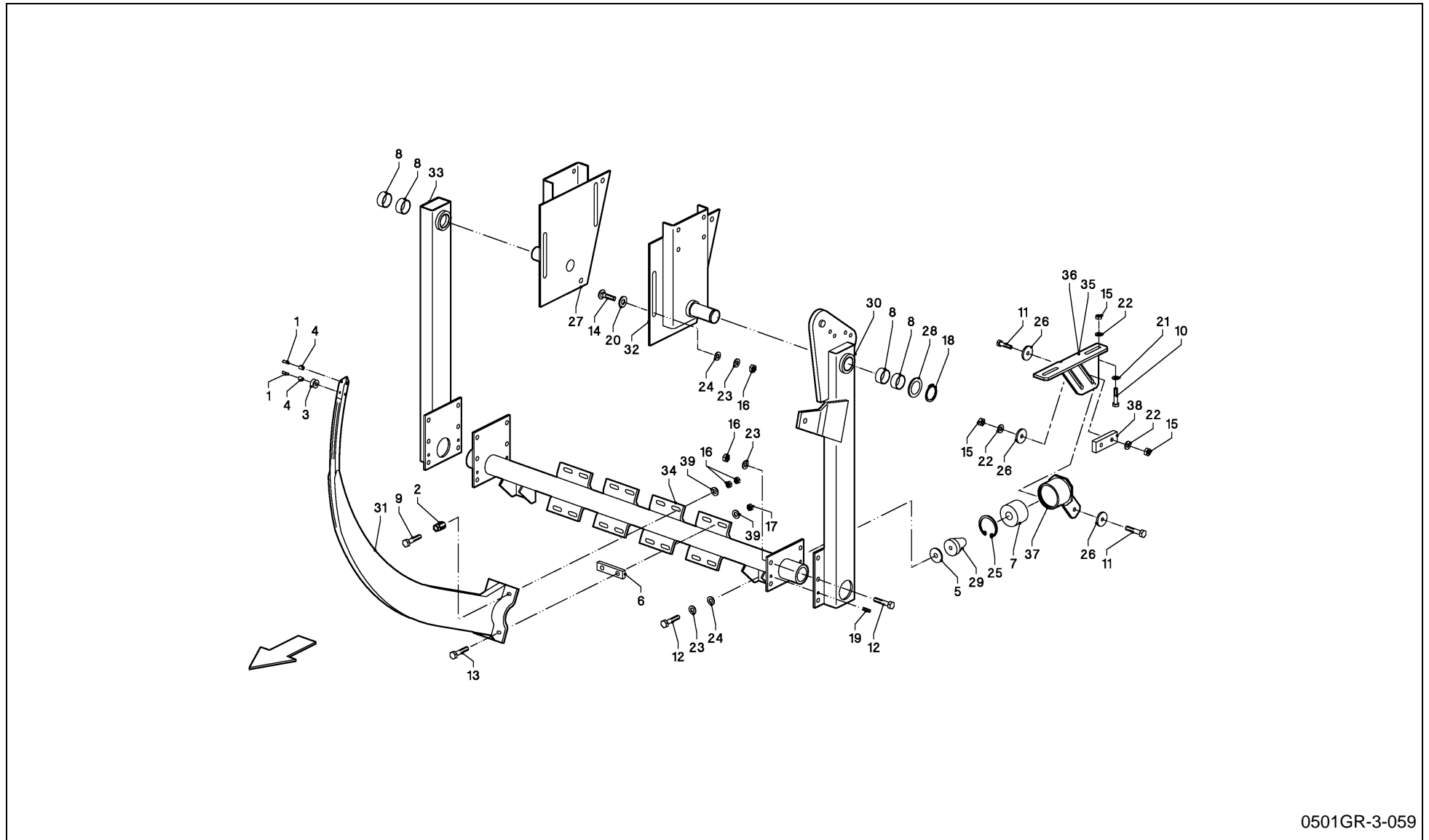
SPMVG000492

# LB 8200 / TWINE PLATE



PosNo.	Part No.	Qty.	Description	Remark
1	VR13698033	4	SLEEVE	
2	VR23500013	4	PLATE	
3	VR25078013	2	BRACKET	
4	VR40227530	4	RING	
5	VGGP001880	1	SADDLE ASSY, SINGLE	
6	VGGP0813K0	4	PLATE	
7	VGGP943K0	1	SUPPORT	
8	VGGR0160K0	1	AXLE	
9	KG00355561	1	HEX. BOLT M10X55 8.8	
10	KG00471961	4	HEX. SCREW M8X20 8.8	
11	KG00474461	4	HEX. SCREW M10X35 8.8	
12	KG00847761	4	COUNTERSUNK HEAD SCREW M8X20 10.9	
13	KG01052061	10	HEX. NUT M10 8	
14	KG01072361	1	LOCK NUT M10 8	
15	KG01267361	4	WASHER M8	
16	KG01267461	4	WASHER M10	
17	VG18601321V	1	SPRING, TENSION	
18	VRR0203693	4	NUT, HEX SPEC.	
19	VRR0370901	1	ROLLER, CAM	
20	VRR0381100	4	ROD, CONTROL	
21	VRR0381393	4	ROD, CONTROL	
22	VG37129050V	2	WASHER, BELLEVILLE	
23	VN40227300	2	BUSH	
24	VG38229007	2	GREASE NIPPLE	
25	KG00351761	2	HEX. BOLT M6X75 8.8	
26	KG00472161	4	HEX. SCREW M8X25 8.8	
27	KG00474561	1	HEX. SCREW M10X40 8.8	
28	KG00639061	8	CARRIAGE BOLT M8X20 8.8	
29	KG01061261	12	LOCK NUT M8 8	
30	KG01069161	2	LOCK NUT M16 10	
31	VGMT00310	2	SHIM SET	
32	VGND3034V	2	WASHER, PLAIN	
33	VGND3147V	4	WASHER	

# LB 8200 / FRAME, NEEDLE

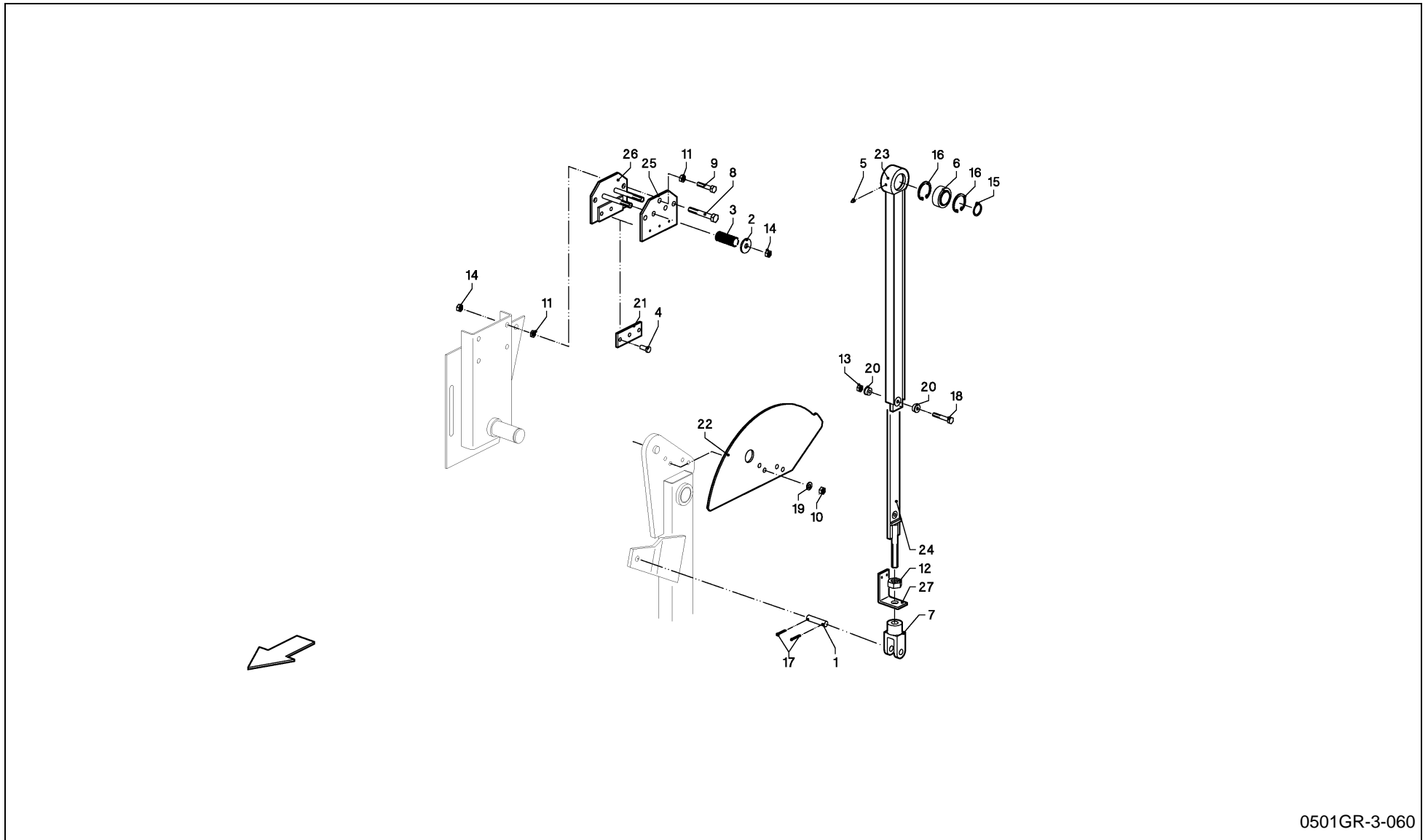


0501GR-3-059



## LB 8200 / FRAME, NEEDLE

PosNo.	Part No.	Qty.	Description	Remark
1	VR11297005	8	AXLE	
2	VR13525009	8	BOLT	
3	VR13888006	4	ROLLER, CYLINDER	
4	VR13944005	8	SLEEVE	
5	VR13972004	4	WASHER	
6	VR15173016	4	STRIP	
7	VR17033857	2	DAMPER	
8	VR40227740	4	SLEEVE, ROTATION	
9	KG00357961	8	HEX. BOLT M12X70 8.8	
10	KG00474461	4	HEX. SCREW M10X35 8.8	
11	KG00474561	4	HEX. SCREW M10X40 8.8	
12	KG00476561	10	HEX. SCREW M12X30 8.8	
13	KG00476961	8	HEX. SCREW M12X50 8.8	
14	KG00645061	8	CARRIAGE BOLT M12X40 8.8	
15	KG01052061	6	HEX. NUT M10 8	
16	KG01052161	32	HEX. NUT M12 8	
17	KG01068961	8	LOCK NUT M12 10	
18	KG01109862	1	CIRCLIP-A 40 X 1.75	
19	KG01191562	4	TENSION PIN 8X30	
20	KG01267761	8	WASHER M16	
21	VGMT152V	4	RING	
22	VGND3147V	6	WASHER	
23	VGND3148V	8	WASHER	
24	VGND3163V	10	WASHER, PLAIN	
25	KG01130400	2	CIRCLIP-B 70 X 2.5	
26	VGNP705V	8	RING	
27	VRR0042682	1	BRACE, RH	
28	VRR0085293	1	RING	
29	VRR0375293	2	STOP	
30	VRR0398100	1	ARM, LH	
31	VRR0398300	4	NEEDLE	
32	VRR0449382	1	BRACE, LH	
33	VRR0459500	1	ARM, RH	
34	VRR0492482	1	BRACE	
35	VRR0574582	1	BRACE, LH	
36	VRR0574682	1	BRACE, RH	
37	VRR0575082	2	BRACKET	
38	VRR0631882	2	STOP	
39	VGTH100V	16	RING	



0501GR-3-060

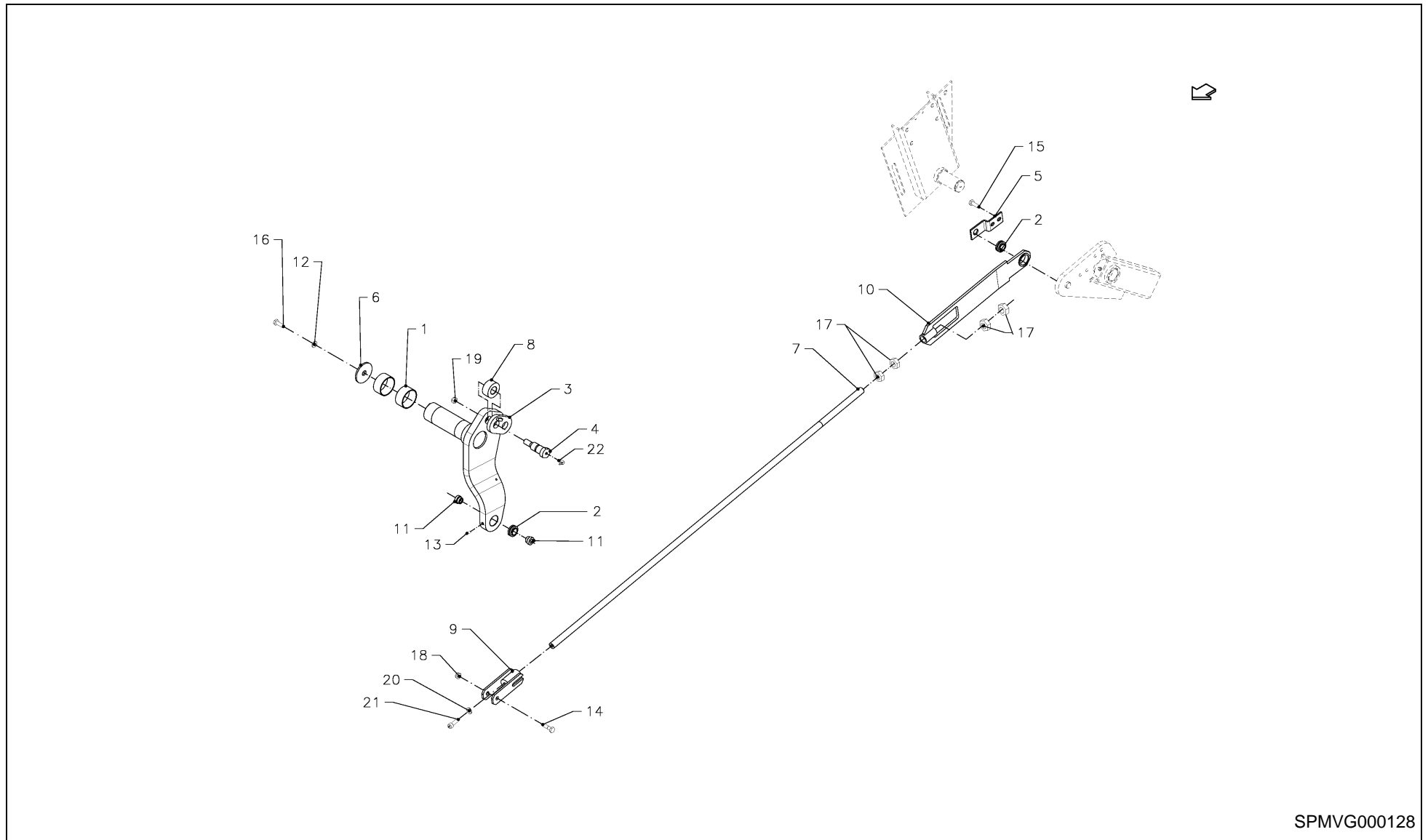


# LB 8200 / BAR, DRIVE



PosNo.	Part No.	Qty.	Description	Remark
1	VR11955003	1	PIN	
2	VG13925033V	2	RING	
3	VR18602811	2	SPRING, COMPRESSION	
4	VR30703482	6	RIVET, BLIND	
5	VG38229007	1	GREASE NIPPLE	
6	VR40310406	1	BEARING SKF GE30ES-2RS	
7	VGGP01313V	1	YOKE	
8	KG00358261	2	HEX. BOLT M12X90 8.8	
9	KG00476761	1	HEX. SCREW M12X40 8.8	
10	KG01052061	3	HEX. NUT M10 8	
11	KG01052161	3	HEX. NUT M12 8	
12	KG01052761	1	HEX. NUT M24 8	
13	KG01068761	1	LOCK NUT M8 10	GIVE QUANTITY WHEN ORDERING
14	KG01068961	4	LOCK NUT M12 10	
15	KG01108862	2	CIRCLIP-A 30 X 1.5	
16	KG01128762	2	CIRCLIP-B 47 X 1.75	
17	KG01251961	2	SPLIT PIN 4X40 ST	
18	VGGP00689	1	SHEAR BOLT SET	GIVE QUANTITY WHEN ORDERING
19	VGND3147V	2	WASHER	
20	VRR0016102	2	SLEEVE	
21	VRR0237178	2	DISC, FRICTION	
22	VRR0449193	1	DISC	
23	VRR0531482	1	BAR	
24	VRR0531782	1	BAR	
25	VRR0569600	1	DISC, FRICTION	
26	VRR0569700	1	DISC, FRICTION	
27	VRR0688182	1	BRACE	

# LB 8200 / BAR, DRIVE



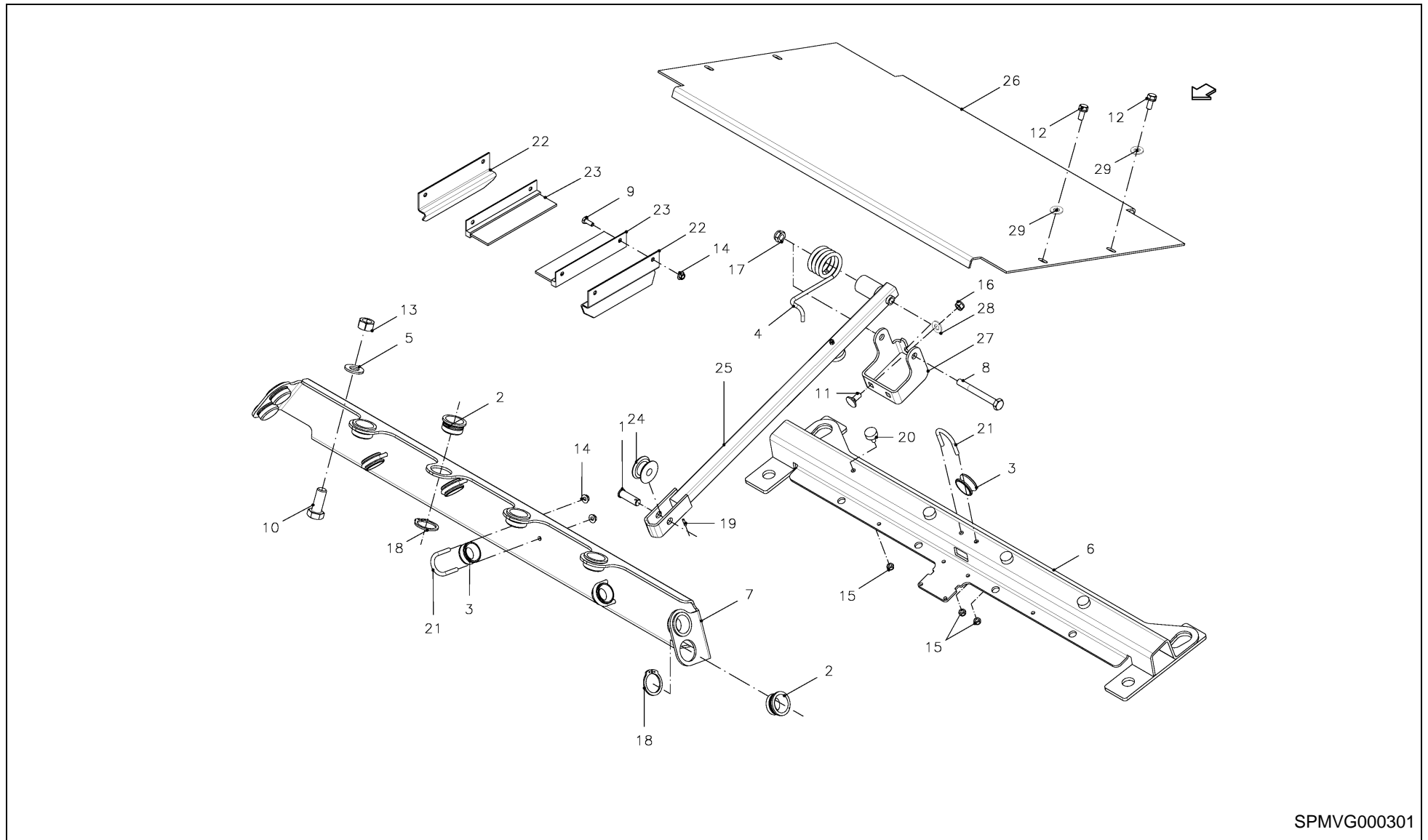
SPMVG000128

# LB 8200 / BAR, DRIVE



PosNo.	Part No.	Qty.	Description	Remark
1	VN40227720	2	SLEEVE, ROTATION	
2	VN40310404	2	CUP AND BALL JOINT	
3	VGGB0401K0	1	LEVER	
4	VRR0219302	1	AXLE	
5	VRR0290182	1	STRIP	
6	VRR0476693	1	RING	
7	VRR0632282	1	STRIP	
8	VRR0632393	1	RING	
9	VRR0632782	1	YOKE	
10	VRR0633500	1	STRIP	
11	VRR0633693	2	PIPE, SPACING	
12	VG37129064V	1	WASHER, BELLEVILLE	
13	VG38229007	1	GREASE NIPPLE	
14	KG00357961	1	HEX. BOLT M12X70 8.8	
15	KG00474461	2	HEX. SCREW M10X35 8.8	
16	KG00480261	1	HEX. SCREW M16X40 8.8	
17	KG01052561	4	HEX. NUT M20 8	
18	KG01068961	1	LOCK NUT M12 10	
19	KG01069161	1	LOCK NUT M16 10	
20	VGND3147V	1	WASHER	
21	VRR0712800	1	SHEAR BOLT SET	3xM10
22	VN41702900	1	GREASE NIPPLE M8X1,25-90°	

# LB 8200 / PIPE, TWINE GUIDE



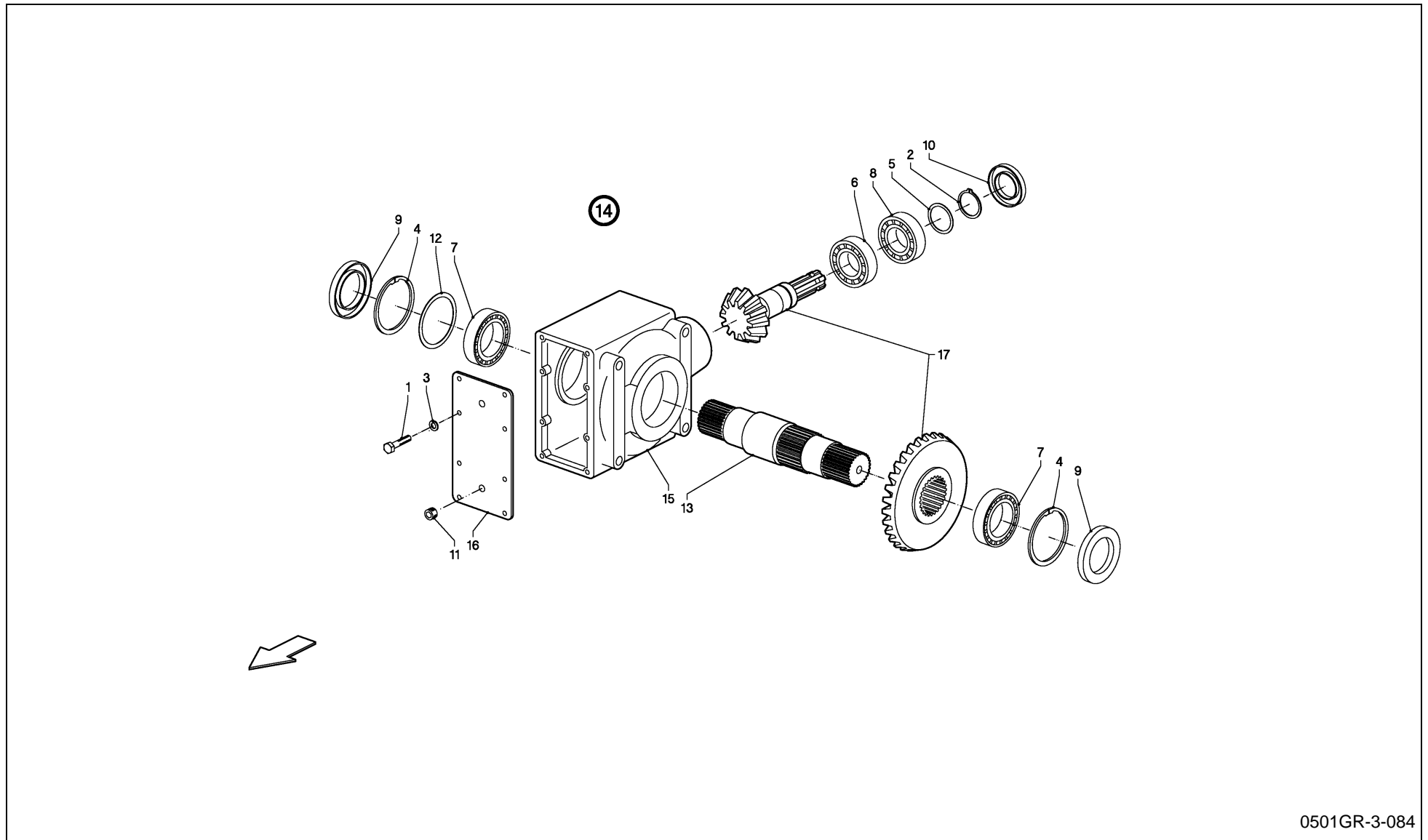
SPMVG000301



## LB 8200 / PIPE, TWINE GUIDE

PosNo.	Part No.	Qty.	Description	Remark
1	VR11695006	4	PIN	
2	VR13528010	8	PIPE, TWINE GUIDE	
3	VF16510738.61	5	TWINE GUIDE	
4	VR18604562	4	SPRING, TORSION	
5	VG37129064V	2	WASHER, BELLEVILLE	
6	VGGR0253K0	1	BEAM	
7	VGGR171K0	1	PLATE	
8	KG00356261	4	HEX. BOLT M10X90 8.8	
9	KG00468761	16	HEX. SCREW M6X16 8.8	
10	KG00480261	2	HEX. SCREW M16X40 8.8	
11	KG00639061	8	CARRIAGE BOLT M8X20 8.8	
12	KG01000861	4	FLANGED BOLT M8X25	
13	KG01052361	2	HEX. NUT M16 8	
14	KG01061161	24	LOCK NUT M6 8	
15	KG01067361	10	LOCK NUT M6 8	
16	KG01068761	8	LOCK NUT M8 10	
17	KG01068861	4	LOCK NUT M10 10	
18	KG01109362	8	CIRCLIP-A 35 X 1.5	
19	KG01184662	4	TENSION PIN 3X16	
20	VRR0096801	4	STOP	
21	VRR0403293	5	BRACE	
22	VRR0477082	8	GUIDE	
23	VRR0477102	8	BRUSH	
24	VRR0478902	4	ROLLER, CYLINDER	
25	VRR0479082	4	BRACE	
26	VRR0589682	1	PLATE	
27	VRR0835182	4	SUPPORT	
28	VGND3030V	8	WASHER, PLAIN	
29	VGND3146V	4	CIRCLIP	

# LB 8200 / GEARBOX ASSY

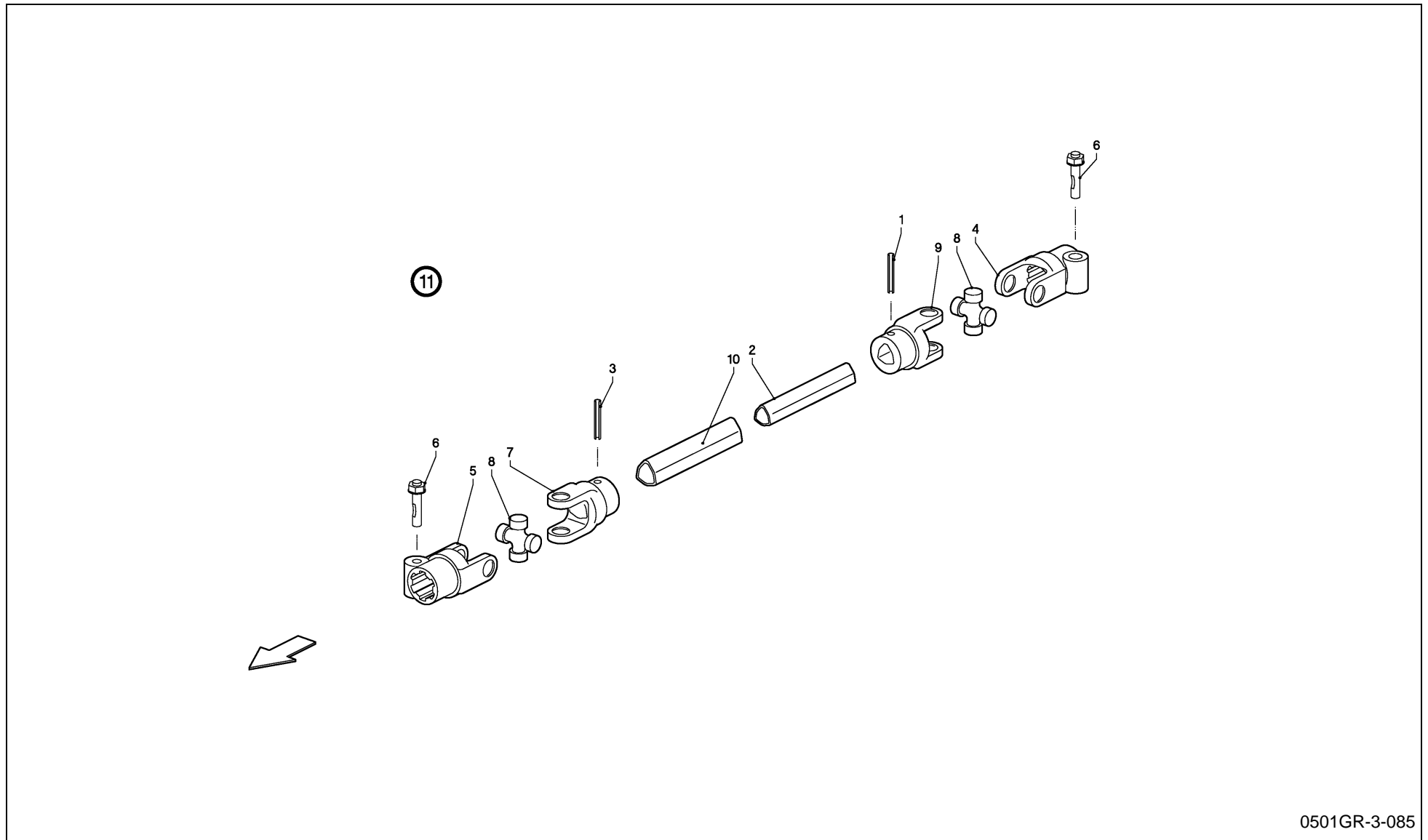


0501GR-3-084

# LB 8200 / GEARBOX ASSY



PosNo.	Part No.	Qty.	Description	Remark
1	KG00474061	8	HEX. SCREW M10X20 8.8	
2	KG01110162	1	CIRCLIP-A 45 X 1.75	
3	KG01281761	8	SPRING WASHER M10	
4	VRR0466208	2	SEEGER-RING	
5	VGTP0011	1	SHIM SET	GIVE QUANTITY WHEN ORDERING
6	VRR0466210	1	CUSHION, ASSY	
7	VRR0466211	2	CUSHION, ASSY	
8	VRR0466212	1	CUSHION, ASSY	
9	VRR0519202	2	OIL SEAL	
10	VRR0519203	1	OIL SEAL	
11	VRR0519204	4	PLUG	
12	VRR0519205	1	SHIM	GIVE QUANTITY WHEN ORDERING
13	VRR0519208	1	AXLE	
14	VRR0519301	1	GEARBOX ASSY	
15	VRR0519302	1	HOUSING	
16	VRR0519303	1	LID	
17	VRR0519304	1	PINION, BEVEL	



0501GR-3-085

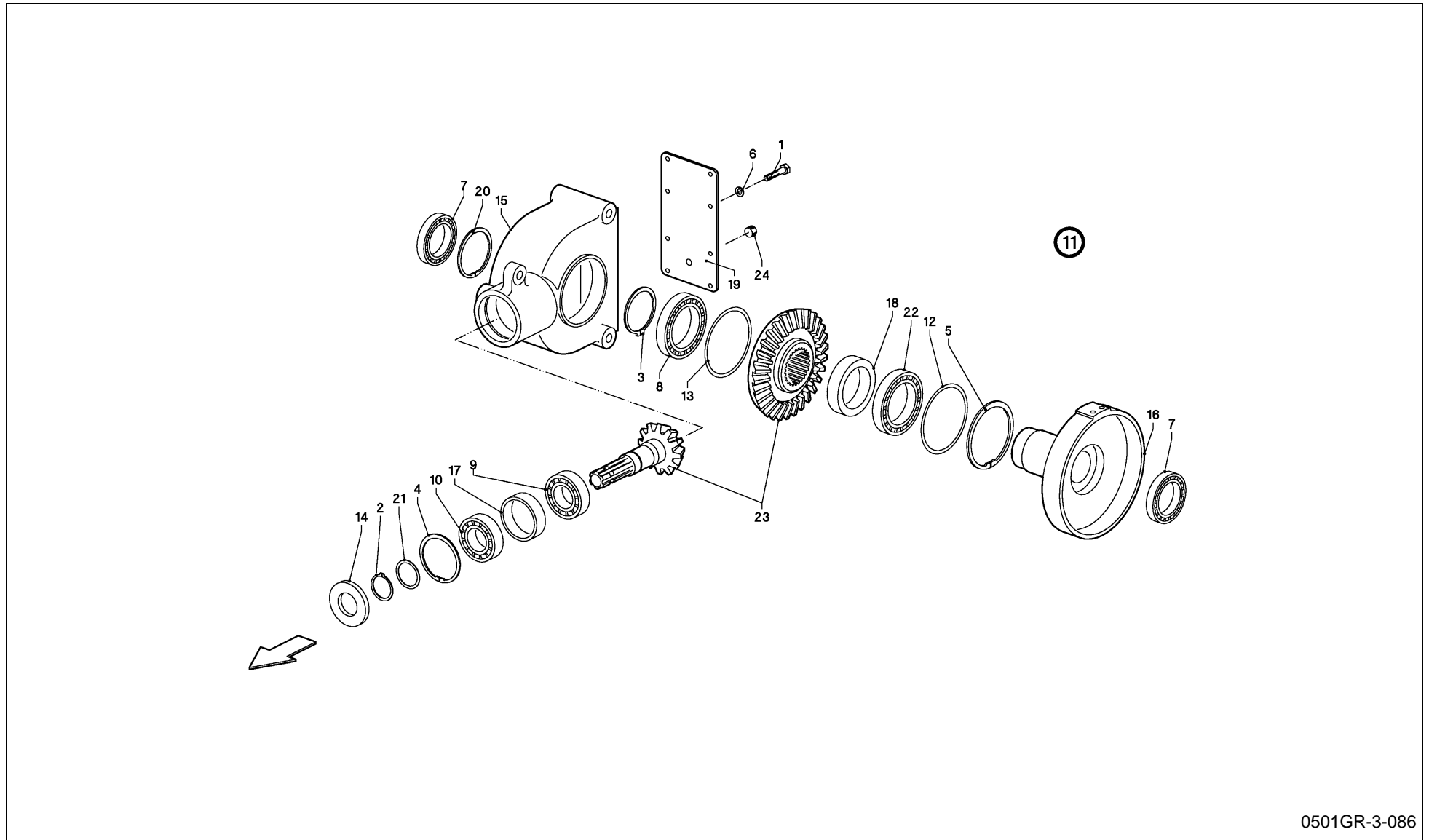


# LB 8200 / SHAFT, UNIV. JOINT



PosNo.	Part No.	Qty.	Description	Remark
1	VN30803855	1	TENSION PIN 8X55	
2	VGGP1165	1	PIPE	
3	KG01192162	1	TENSION PIN 8X60	
4	VRR0542302	1	YOKE	
5	VRR0542303	1	YOKE	
6	VRR0542305	2	BOLT	
7	VRR0542306	1	YOKE	
8	VRR0542307	2	CROSS ASSY	
9	VRR0542308	1	YOKE	
10	VRR0542310	1	PIPE, PROFILE	
11	VRR0659001	1	SHAFT, UNIV. JOINT	

LB 8200 / GEARBOX ASSY



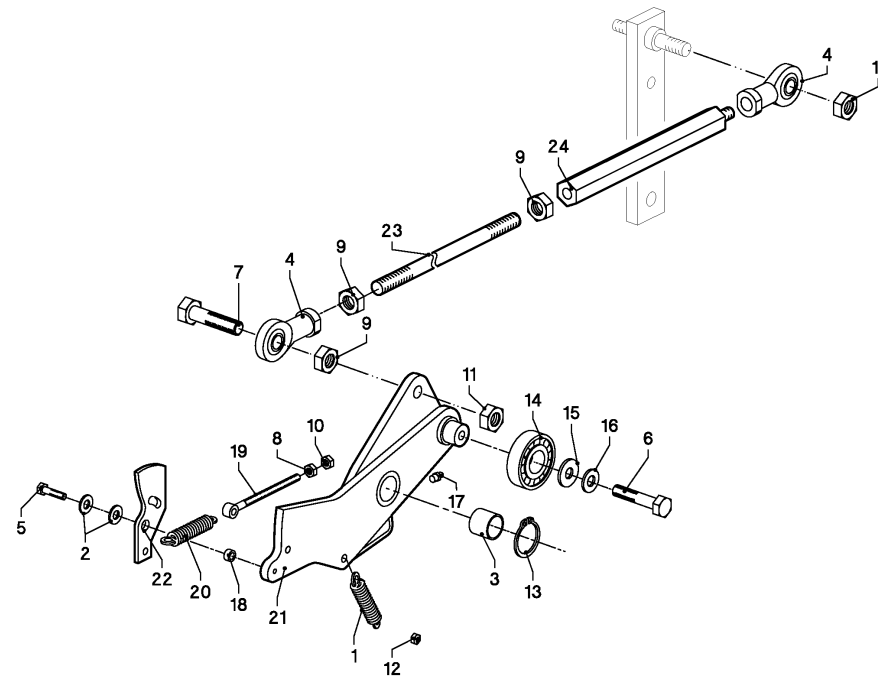
0501GR-3-086



## LB 8200 / GEARBOX ASSY

PosNo.	Part No.	Qty.	Description	Remark
1	KG00474261	8	HEX. SCREW M10X25 8.8	
2	KG01109862	1	CIRCLIP-A 40 X 1.75	
3	KG01112200	1	CIRCLIP-A 80 X 2.5	
4	KG01131400	2	CIRCLIP-B 90 X 3	
5	KG01132800	1	CIRCLIP-B 125 X 4	
6	KG01281761	8	SPRING WASHER M10	
7	KG01361400	2	BALL BEARING 6012-2RS	
8	KG01364200	1	BALL BEARING 6016-2RS	
9	KG01383700	1	BALL BEARING 6209	
10	KG01402200	1	BALL BEARING 6308	
11	VRR0407201	1	GEARBOX ASSY	
12	VRR0407202	1	OIL SEAL	
13	VRR0407203	1	OIL SEAL	
14	KG00122900	1	RADIAL SHAFT SEAL - AS 40X90X8	
15	VRR0407205	1	HOUSING	
16	VRR0407206	1	HUB	
17	VRR0407207	1	PIPE, SPACING	
18	VRR0407208	1	PIPE, SPACING	
19	VRR0407209	1	LID	
20	KG01131600	1	CIRCLIP-B 95 X 3	
21	VGAH00132	1	SHIM SET	GIVE QUANTITY WHEN ORDERING
22	KG01364900	1	BALL BEARING 6017-2RS	
23	VRR0407216	1	WHEELS, TOOTHED, SET	
24	VRR0519204	2	PLUG	

# LB 8200 / MEASUREMENT OF LENGTH

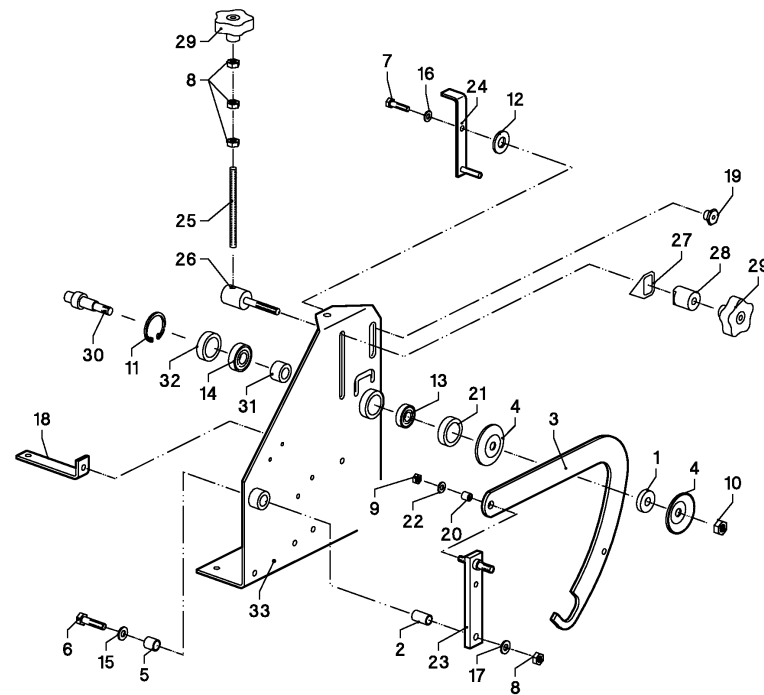


0501GR-3-062



## LB 8200 / MEASUREMENT OF LENGTH

PosNo.	Part No.	Qty.	Description	Remark
1	VG18601320V	1	SPRING, TENSION	
2	VG37129050V	2	WASHER, BELLEVILLE	
3	VR40227015	2	SLEEVE, ROTATION	
4	VR40311010	2	CUP AND BALL JOINT	SECURED WITH LOCTITE 243
5	KG00468761	1	HEX. SCREW M6X16 8.8	
6	KG00471761	1	HEX. SCREW M8X16 8.8	
7	KG00474561	1	HEX. SCREW M10X40 8.8	
8	KG01051761	1	HEX. NUT M6 8	
9	KG01052061	3	HEX. NUT M10 8	
10	KG01067361	1	LOCK NUT M6 8	
11	KG01068861	2	LOCK NUT M10 10	
12	KG01068961	1	LOCK NUT M12 10	
13	KG01107862	1	CIRCLIP-A 20 X 1.2	
14	KG01377800	1	BALL BEARING 6204-2RS	
15	VGND3030V	1	WASHER, PLAIN	
16	VGND3146V	1	CIRCLIP	
17	VGND9004V	1	GREASE NIPPLE	
18	VRR0234593	1	SLEEVE	
19	VRR0295593	1	BOLT, EYE	
20	VRR0295793	1	SPRING, TENSION	
21	VRR0379300	1	GUIDE CONDUCTION	
22	VRR0379493	1	FINGER	
23	VRR0380982	1	BAR	
24	VRR0396393	1	TENSIONNER	

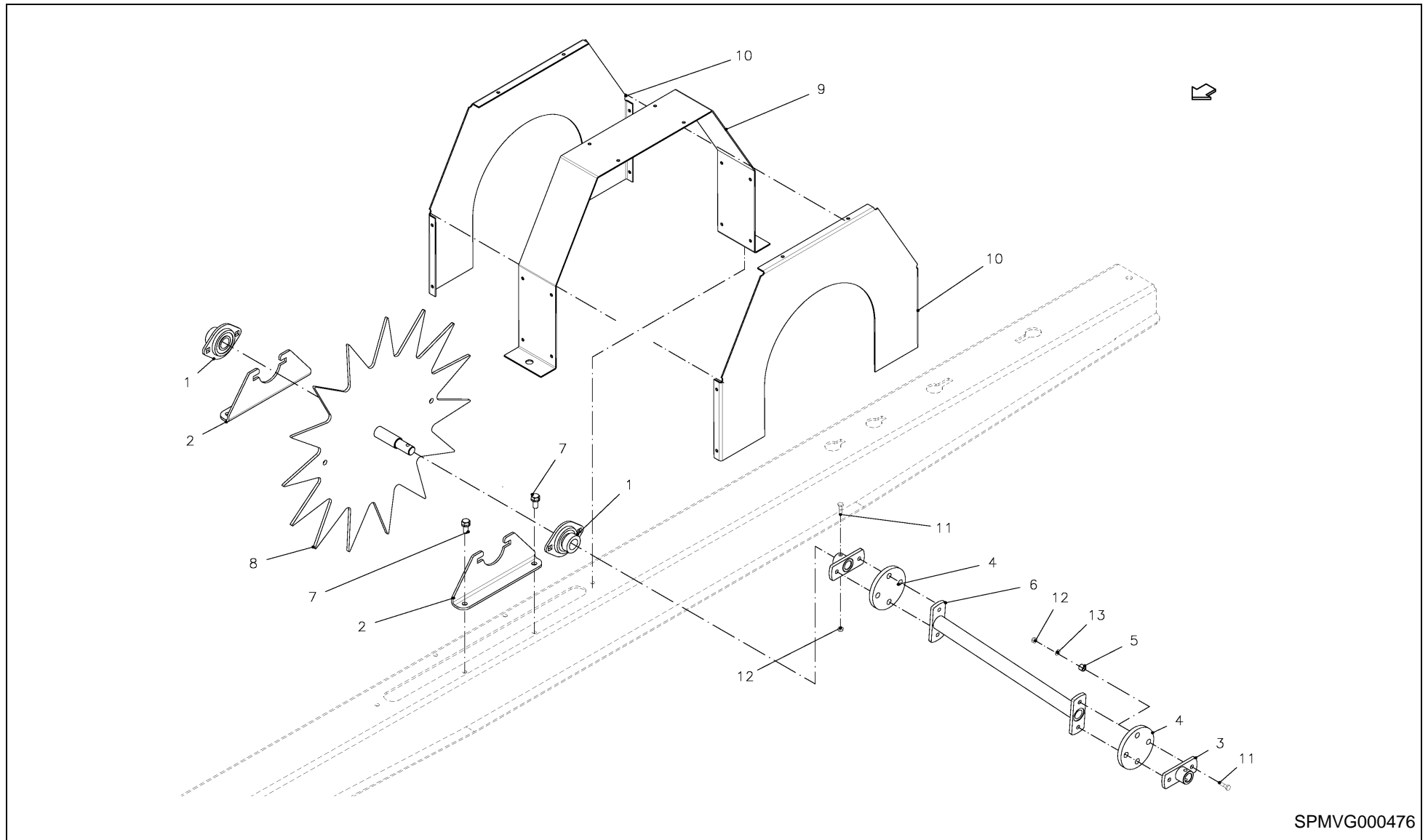


# LB 8200 / ARM



PosNo.	Part No.	Qty.	Description	Remark
1	VR13916014	1	ROLLER, CAM	
2	VR13975008	1	SLEEVE	
3	VG19077006V	1	ARM	
4	VR19182058	2	COVEHOOD	
5	VR40227609	1	BEARING	
6	KG00355561	1	HEX. BOLT M10X55 8.8	
7	KG00471761	3	HEX. SCREW M8X16 8.8	
8	KG01052061	4	HEX. NUT M10 8	
9	KG01068761	1	LOCK NUT M8 10	
10	KG01068961	3	LOCK NUT M12 10	
11	KG01128762	1	CIRCLIP-B 47 X 1.75	
12	KG01267761	1	WASHER M16	
13	KG01353800	1	BALL BEARING 6002-2RS	
14	VGND5260	1	BED, THRUST BALL	
15	VGMT152V	1	RING	
16	VGND3146V	1	CIRCLIP	
17	VGND3147V	1	WASHER	
18	VRR0047382	1	STRIP	
19	VRR0203693	2	NUT, HEX SPEC.	
20	VRR0213393	1	SLEEVE	
21	VRR0234193	1	WASHER, PLAIN	
22	VRR0236093	1	RING	
23	VRR0379982	1	LEVER	
24	VRR0380893	1	LOCKING LEVER	
25	VRR0521293	1	STUD, THREADED	
26	VRR0521393	1	PIN	
27	VRR0521493	1	POINTER	
28	VRR0521593	1	SLEEVE	
29	VRR0525901	2	NUT	
30	VRR0660793	1	AXLE	
31	VRR0660802	1	SLEEVE	
32	VRR0660993	1	RING	
33	VRR0665400	1	BRACE	

# LB 8200 / MEASURING WHEEL



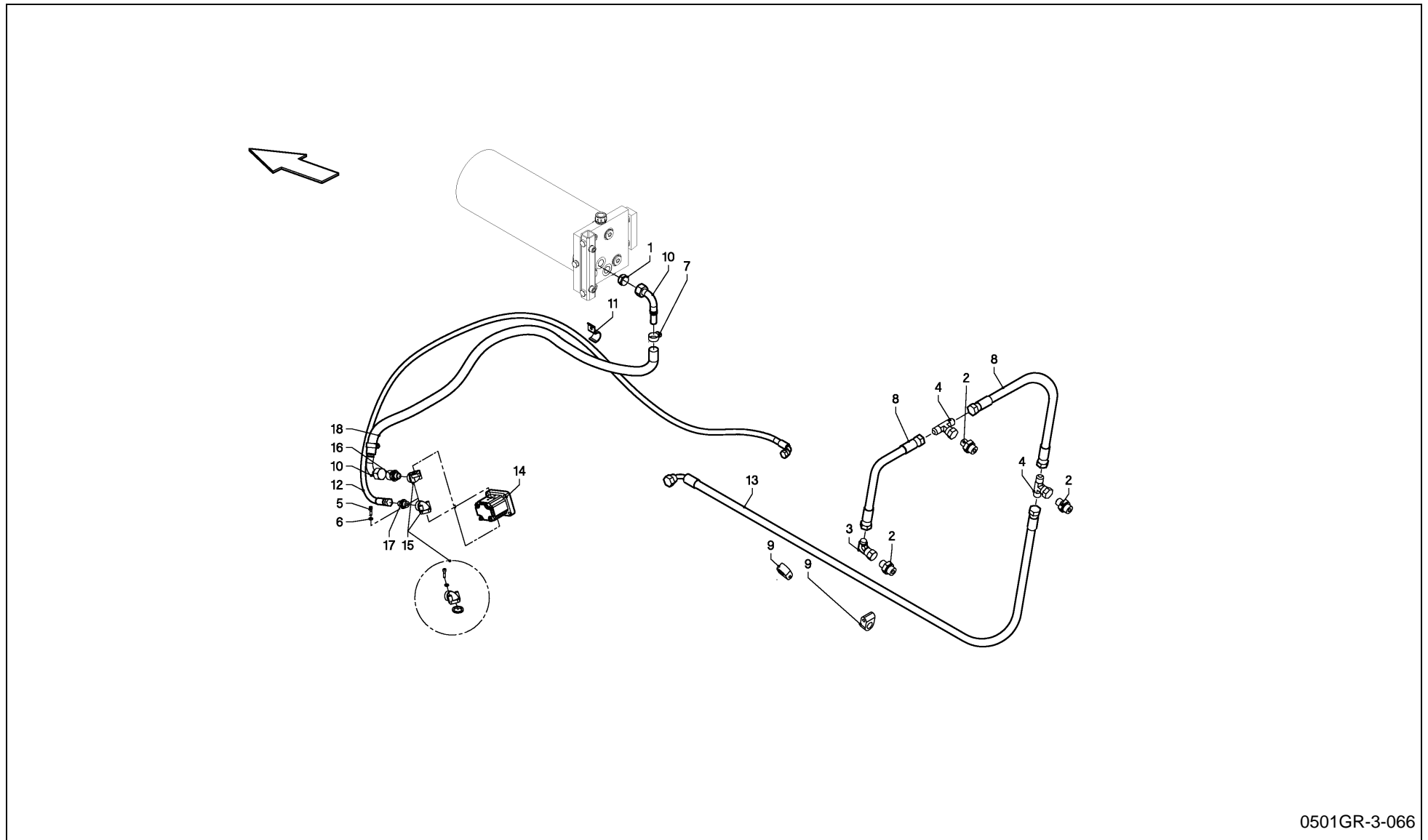
SPMVG000476





## LB 8200 / MEASURING WHEEL

PosNo.	Part No.	Qty.	Description	Remark
1	VR40711104	2	CUSHION, ASSY	
2	VGGB18K0	2	SUPPORT	
3	VGGP01140V	2	SLEEVE	
4	VGGP1141	2	RING, RUBBER	
5	VGGP1492V	8	SLEEVE	
6	VGGR0183K0	6	PIPE	
7	KG01000861	6	FLANGED BOLT M8X25	
8	VRR0660582	1	MEASURING WHEEL	
9	VRR0662282	1	SHIELD, UPPER	
10	VRR0662382	2	SHIELD, UPPER	
11	KG00469261	10	HEX. SCREW M6X30 8.8	
12	KG01067361	10	LOCK NUT M6 8	
13	VGND3034V	8	WASHER, PLAIN	



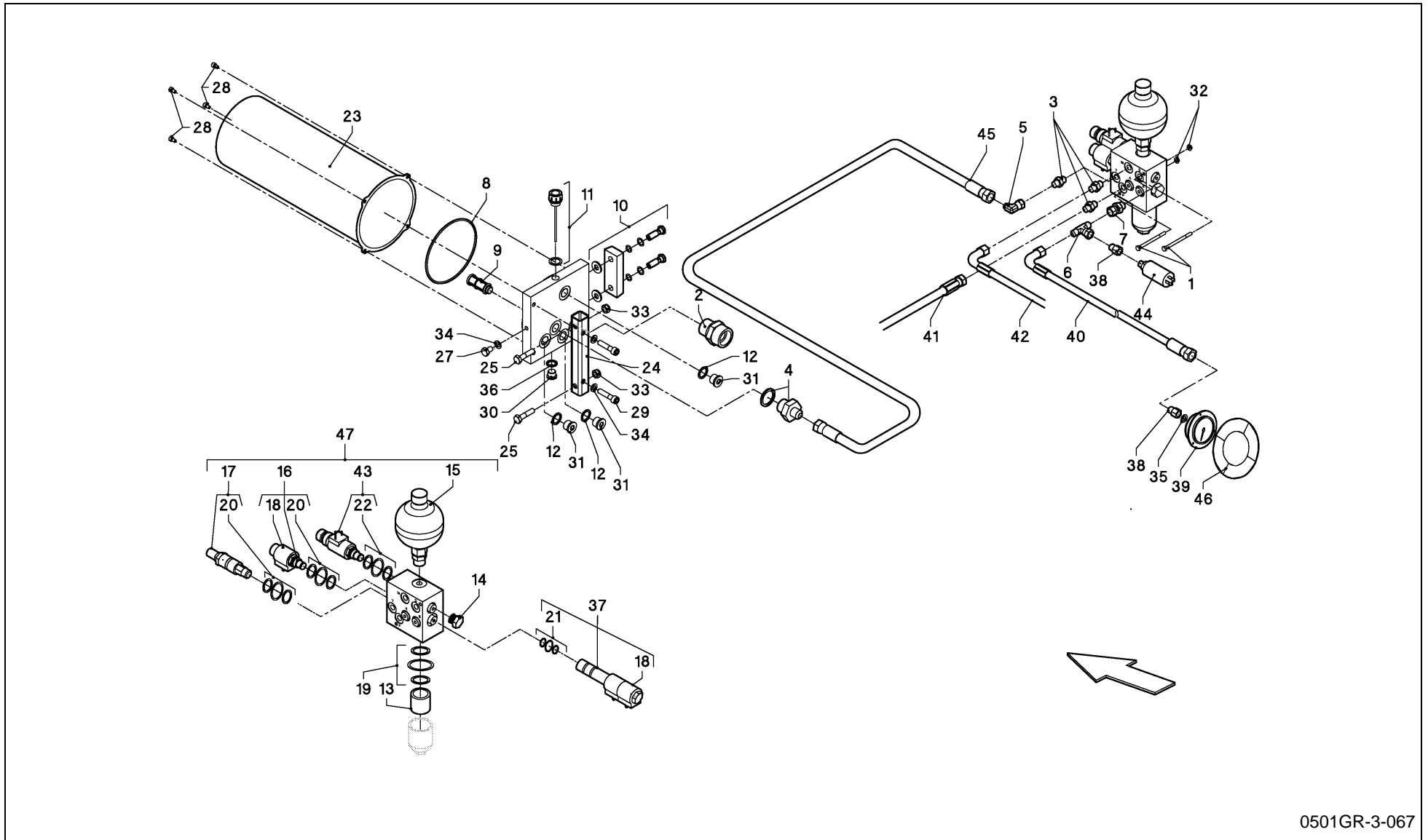
0501GR-3-066

# LB 8200 / HYDRAULICS



PosNo.	Part No.	Qty.	Description	Remark
1	VR38271007	1	COUPLING	
2	VG38271200V	3	STUD, REDUCING	
3	VG38272200V	1	ELBOW COUPLING	
4	VR38273201	2	TE.CONNECTOR	
5	KG00542261	4	CHEESE HEAD SCREW M5X20 8.8	
6	KG01281461	4	SPRING WASHER M5	
7	VGND9134	2	WORMSLANGKLEM (22 - 32 )	
8	VRR0050702	2	HOSE	
9	VRR0389601	8	CLAMP	
10	VRR0583801	2	STUD COUPLING, ELBOW	
11	VRR0587101	2	CLAMP	
12	VRR0587202	1	HOSE, HP	
13	VRR0611902	1	HOSE, HP	
14	VRR0634101	1	PUMP, HYDRAULIC	
15	VRR0634401	2	COUPLING	
16	VRR0635101	1	STUD COUPLING	
17	VRR0650601	1	STUD COUPLING	
18	VRR0651002	1	HOSE	

LB 8200 / VALVE UNIT, HYDR.



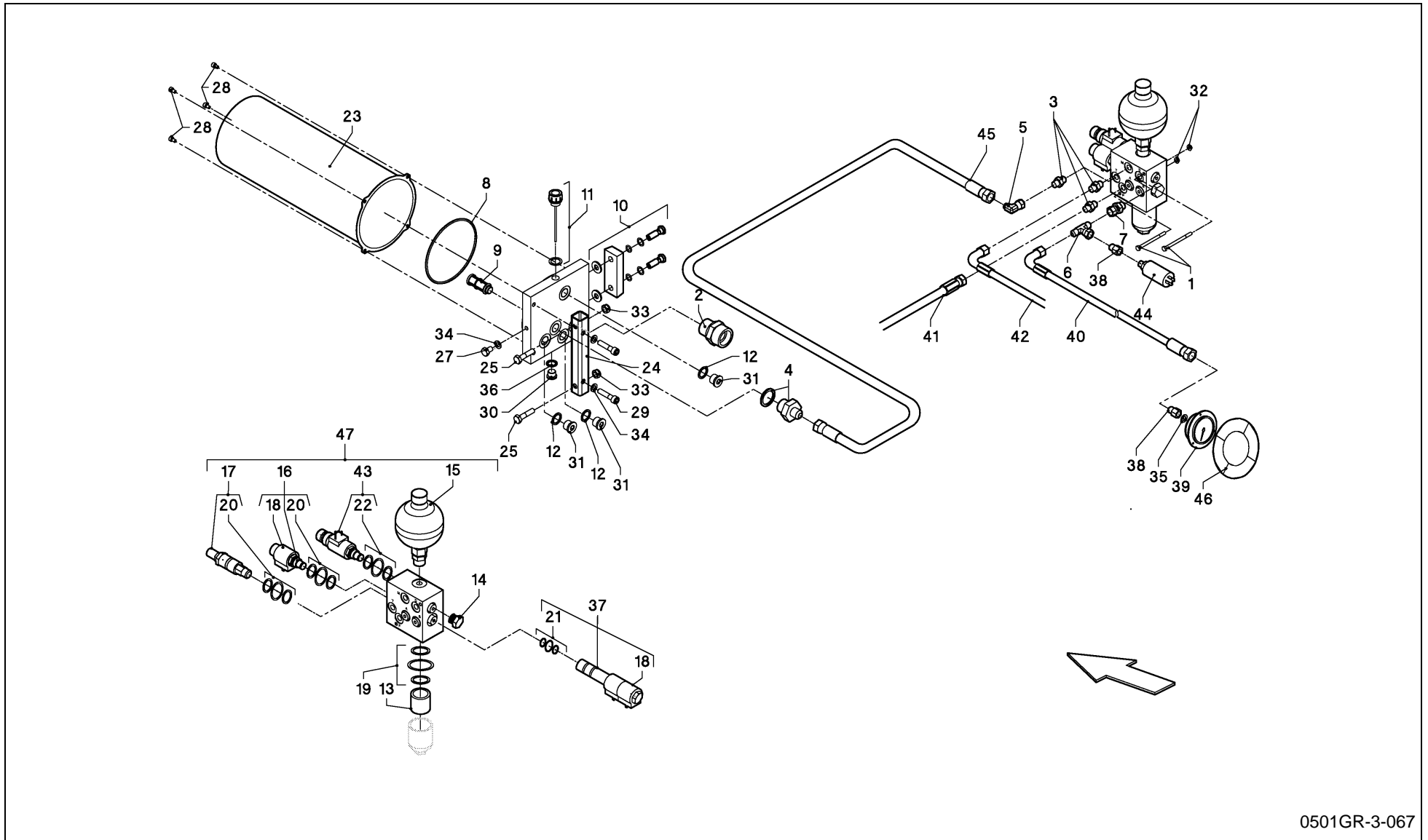
0501GR-3-067

# LB 8200 / VALVE UNIT, HYDR.



PosNo.	Part No.	Qty.	Description	Remark
1	VR30270680	2	BOLT, NUTTED	
2	VR38271007	1	COUPLING	
3	VG38271203V	3	COUPLING	
4	VR38271207	1	STUD COUPLING	
5	VG38272200V	1	ELBOW COUPLING	
6	VR38273201	1	TE.CONNECTOR	
7	VG38275200V	1	COUPLING	
8	VGGP1101	1	O-RING	
9	VGGP1102	1	FILTER	
10	VGGP1104	1	GAUGEGLAS	
11	VGGP1107	1	DIPSTICK	
12	VGGP1122	3	O-RING	
13	VGGP676	1	FILTER, ELEMENT	
14	VGGP677	1	NON-RETURN VALVE	
15	VGGP678	1	ACCUMULATOR, HYDR.	
16	VGGP679	1	VALVE	
17	VGGP680	1	PRESSURE VALVE	
18	VGGP681	1	COIL	
19	VGGP693	1	SEAL SET	
20	VGGP694	2	SEAL SET	
21	VGGP695	1	SEAL SET	
22	VGGP696	1	SEAL SET	
23	VGGP880	1	TANK	
24	VGGP914K0	1	TUBE, RHS	
25	KG00355361	2	HEX. BOLT M10X45 8.8	
27	KG00473961	2	HEX. SCREW M10X16 8.8	
28	KG00543161	4	CHEESE HEAD SCREW M6X10 8.8	
29	KG00547261	2	CHEESE HEAD SCREW M10X45 8.8	
30	KG01027761	1	PLUG G 3/8 5.8	
31	KG01027861	3	PLUG G 1/2 5.8	
32	KG01061161	2	LOCK NUT M6 8	
33	KG01068861	2	LOCK NUT M10 10	
34	KG01281761	4	SPRING WASHER M10	
35	VGND3141	1	WASHER, PLAIN 1X6X10	
36	VGND6148	1	RING, SEALING	
37	VGND92166	1	VALVE	
38	VRR0305801	2	STUD COUPLING	
39	VRR0305901	1	PRESSURE GAUGE	
40	VRR0368401	1	HOSE	
41	VRR0587202	1	HOSE, HP	

LB 8200 / VALVE UNIT, HYDR.

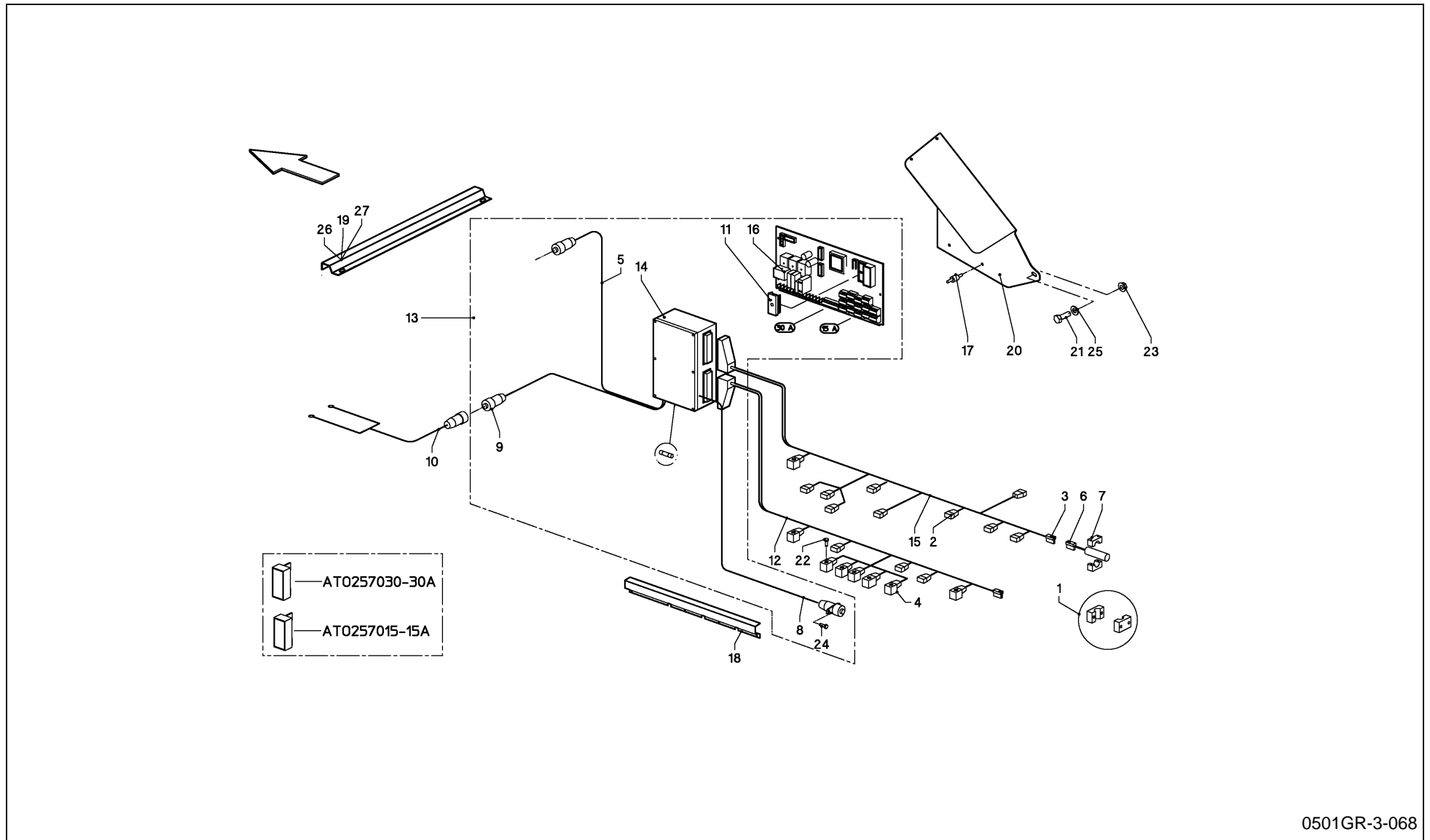


0501GR-3-067

# LB 8200 / VALVE UNIT, HYDR.



PosNo.	Part No.	Qty.	Description	Remark
42	VRR0611902	1	HOSE, HP	
43	VRR0650301	1	VALVE, RUN-OVER	
44	VRR0675701	1	SENSOR	
45	VGGP1901	1	HOSE, HP	
46	VRR0708574	1	DECAL	
47	VRR0717701	1	BLOCK, HYDR.	

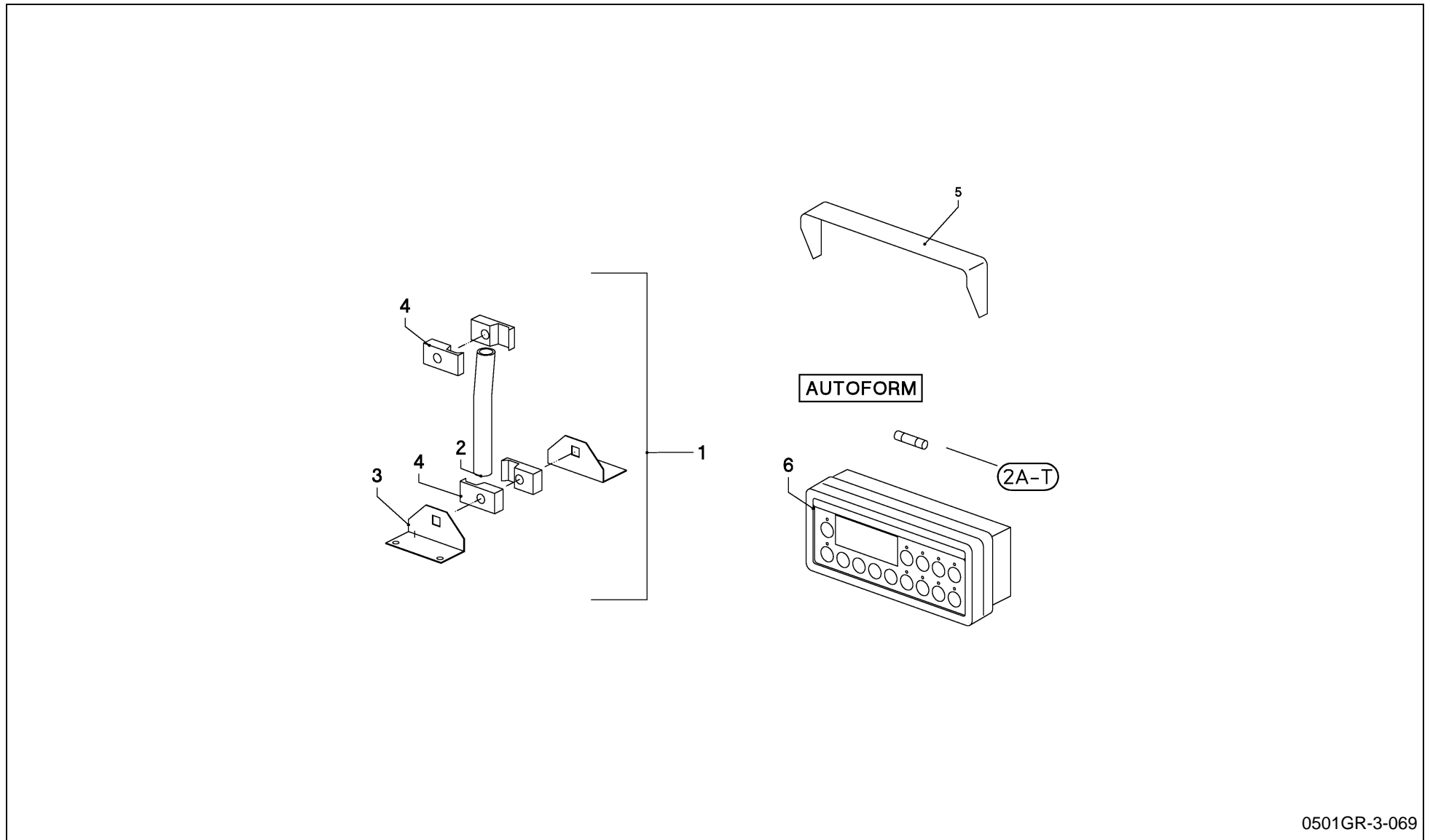






## LB 8200 / ELECTRICAL SYSTEM

PosNo.	Part No.	Qty.	Description	Remark
1	VN31903304	1	SET SENSOR CLAMP	
2	VNB0094473	1	CONNECTOR 4F SUPERSEAL	
3	VNB0336973	1	CONNECTOR 3F FASTIN-FASTON	
4	VNB0341373	1	CONNECTOR VALVE PG9	
5	VNB0370573	1	CABLE CAN L=6M	
6	VNB0372473	1	CONNECTOR 3M FASTIN FASTON	
7	VNB0391273	1	SENSOR ASSY PROX PLAST L=0.3M	
8	VNB0391773	1	CABLE FAN BLACKBOX AF2000	
9	VNB0398473	1	CABLE POWER L=6M	
10	VNB0398573	1	CABLE BATTERY L=5M	
11	MT00000162	1	EPROM AF2000 IN2 V1.05	
12	VNB0467173	1	CABLE MULTI 1	
13	VNB0534173	1	MACHINEBOX AUTO INFO 2000	
14	VNB0534273	1	HOUSING AUTOFORM	
15	VNB0534473	1	CABLE MULTI 2	
16	VNB0535873	1	PCB AUTOFORM INFO NO SOFTWARE	
17	VNB2541878	4	SHOCKABSORBER M6 20X20	
18	VGGP648K0	2	PROFILE	
19	VGGP877K0	1	PROFILE	
20	VGGR60K0	1	PLATE	
21	KG00471961	1	HEX. SCREW M8X20 8.8	
22	KG00671963	1	CHEESE HEAD SCREW M3X20 4.8	
23	KG01061261	1	LOCK NUT M8 8	
24	KG01840361	1	NUT, LOCK	
24	KG00671863	1	CHEESE HEAD SCREW M3X16 4.8	
25	VGND3146V	1	CIRCLIP	
26	VRR0244182	1	GUARD, PROTECT.	
27	VRR0244582	4	GUARD, PROTECT.	

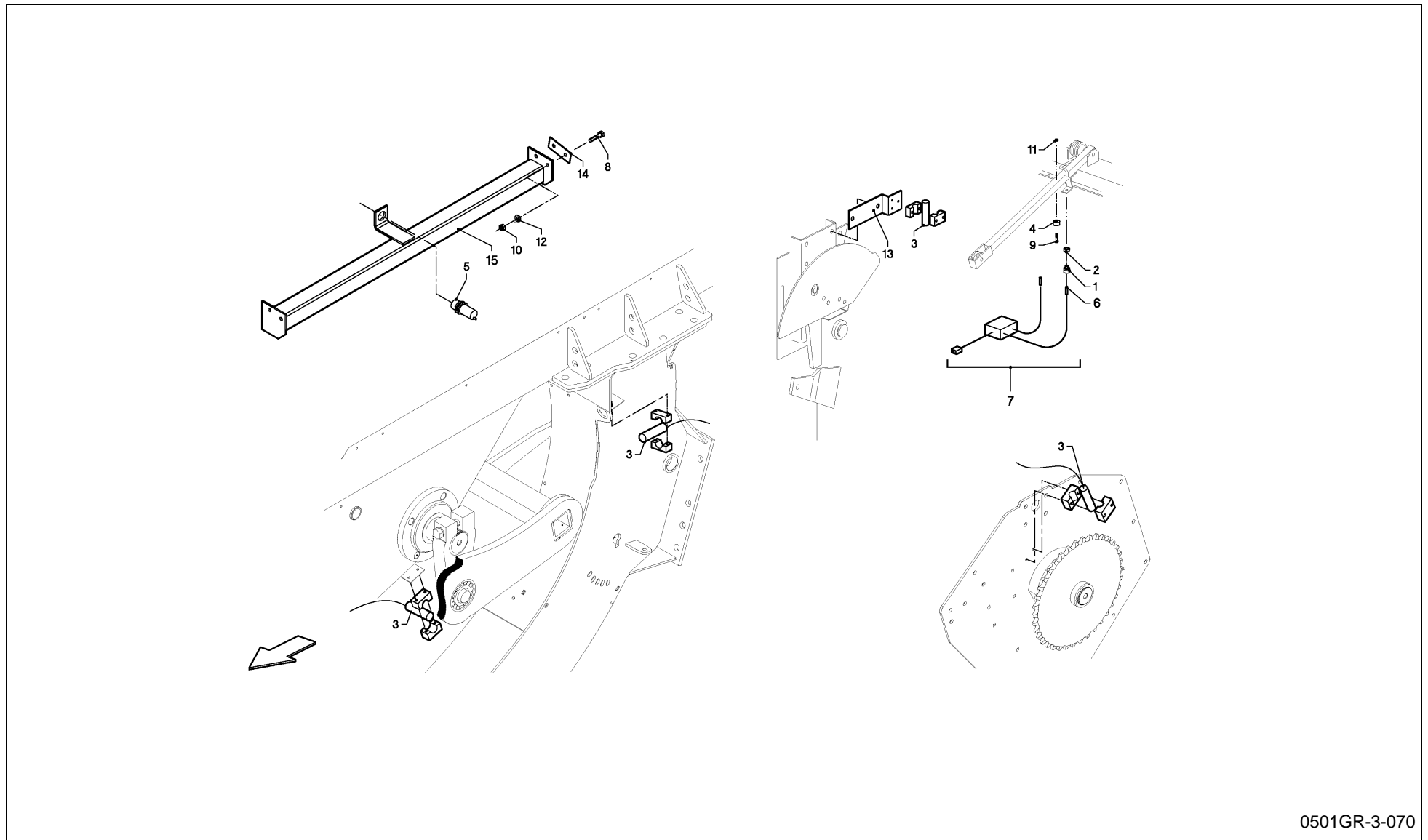


# LB 8200 / CONTROL BOX



PosNo.	Part No.	Qty.	Description	Remark
1	VN10285943	1	MOUNTING SUPPORT ASSY PILOTBOX	
2	VN19741632	1	PIPE	
3	MT00000240	2	MOUNTING PLATE	
4	VN19741634	4	CLAMP BLOCK	
5	VNB0077773	1	SUNCAP PILOTBOX	
6	VNB0535573	1	PILOTBOX AUTOFORM 2000	

# LB 8200 / SENSOR ASSY

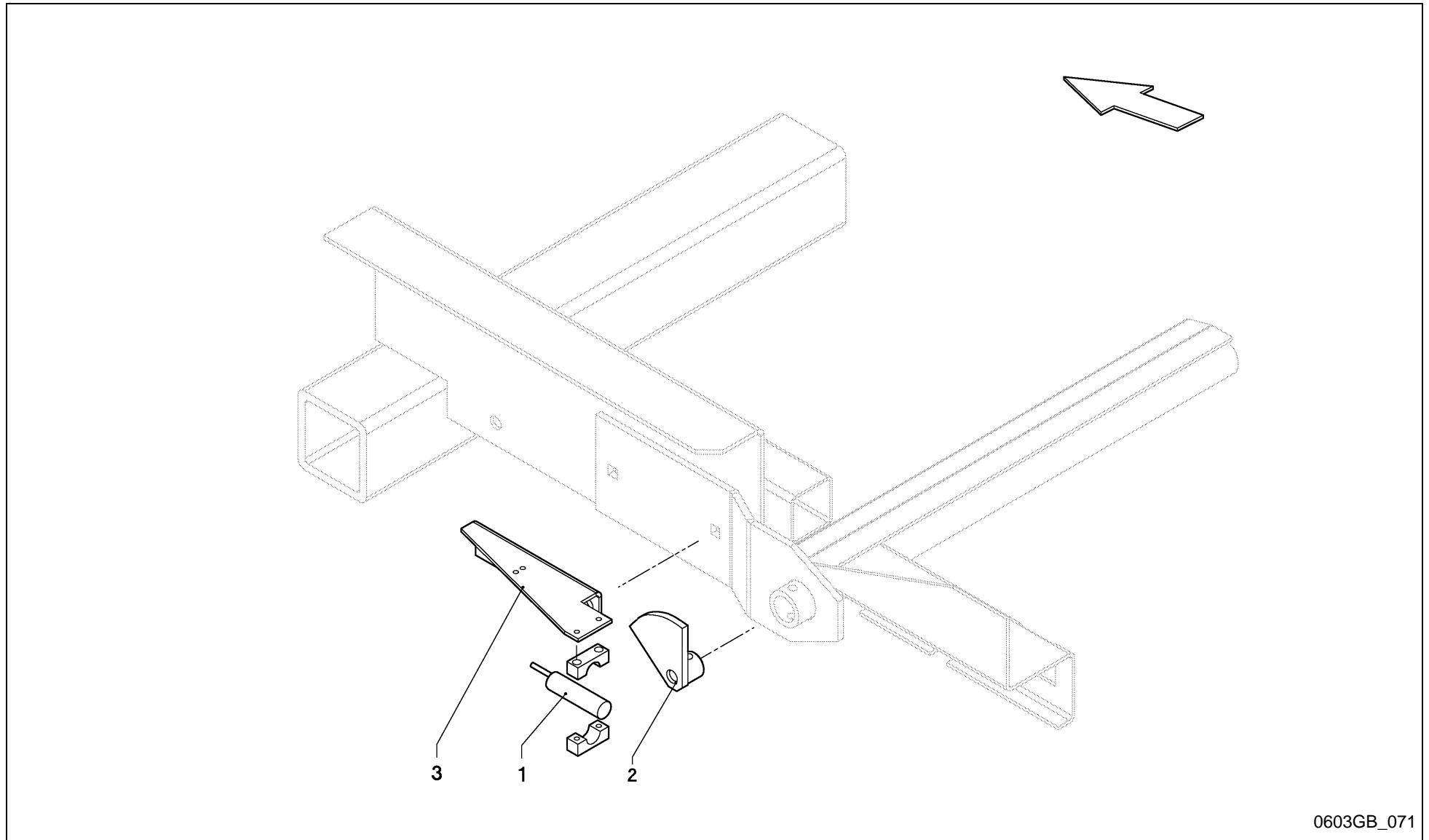


0501GR-3-070

# LB 8200 / SENSOR ASSY



PosNo.	Part No.	Qty.	Description	Remark
1	VNB0342973	4	CABLE GLAND PG7	
2	VNB0343573	4	CABLE GLAND NUT PG7	
3	VNB0391273	4	SENSOR ASSY PROX PLAST L=0.3M	
4	VNB0432973	4	MAGNET 20MM	
5	VNB0439373	1	SENSOR ASSY PROX L=0.3M	
6	VNB0440273	4	SENSOR REED SWITCH L=3.3M	
7	VNB0536073	1	SENSOR ASSY TWINE DETECTION 4X	
8	KG00474461	4	HEX. SCREW M10X35 8.8	
9	KG00844361	4	COUNTERSUNK HEAD SCREW M4X40 10.9	
10	KG01052061	4	HEX. NUT M10 8	
11	KG01067161	4	LOCK NUT M4 8	
12	VGND3147V	5	WASHER	
13	VRR0449282	1	SUPPORT	
14	VRR0498593	1	PLATE, SHIM	
15	VRR0690982	1	BEAM	

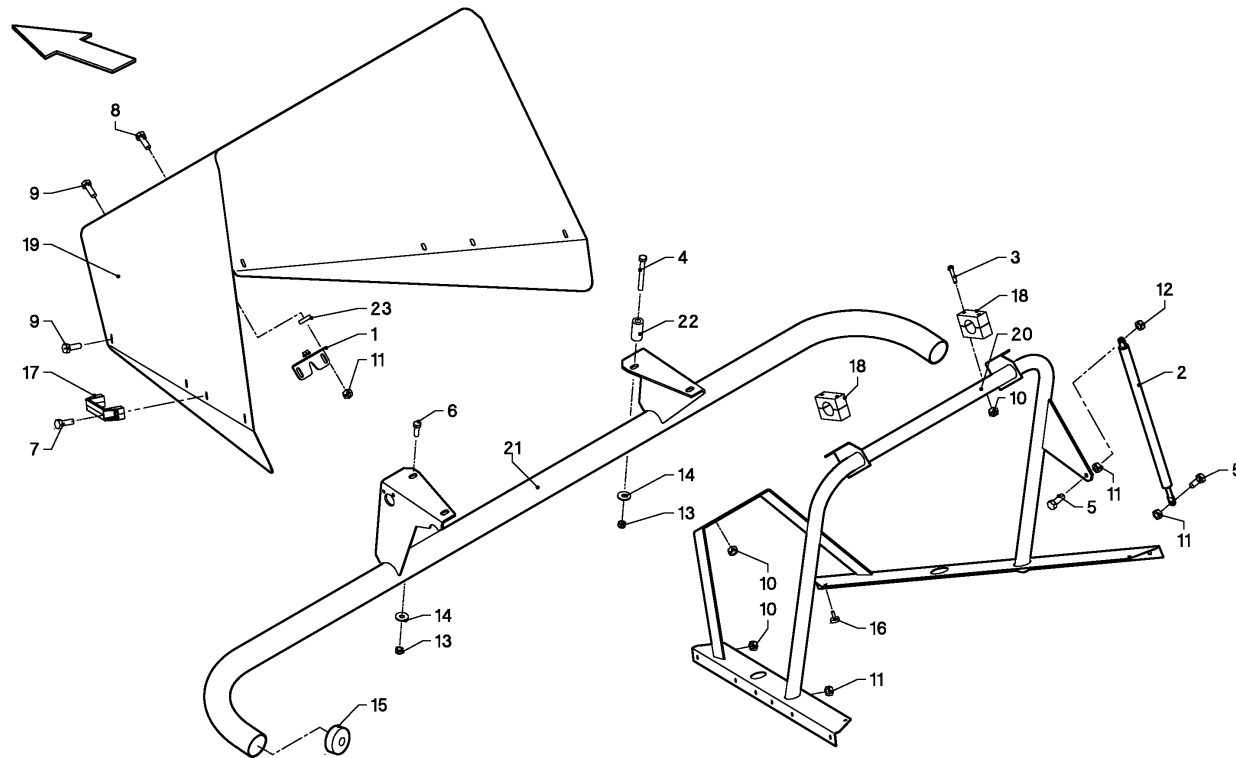


0603GB\_071

# LB 8200 / SENSOR ASSY



PosNo.	Part No.	Qty.	Description	Remark
1	VNB0391273	1	SENSOR ASSY PROX PLAST L=0.3M	
2	VRR0690082	1	POINTER	
3	VRR0690182	1	BRACE	



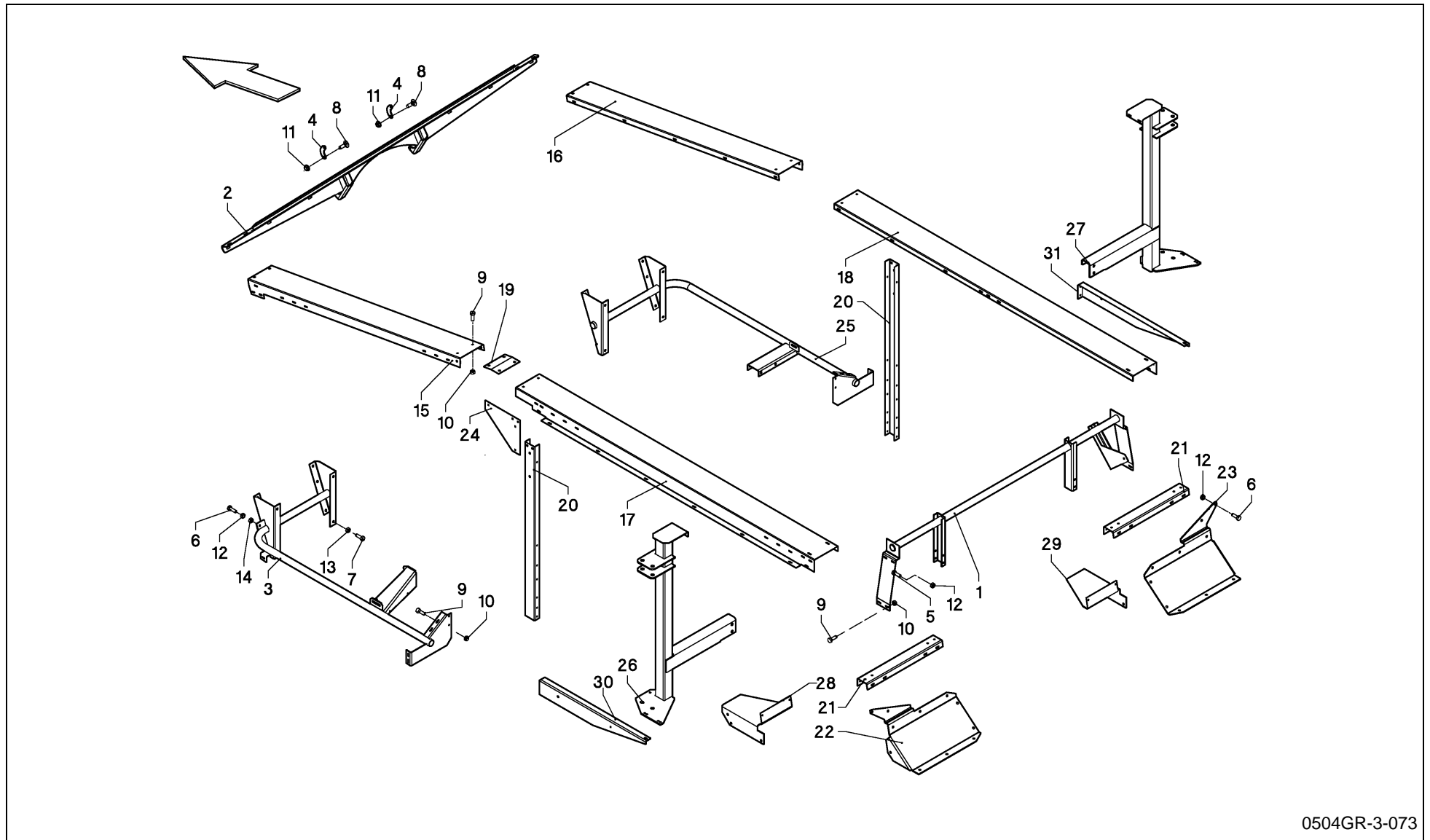




## LB 8200 / PROTECTION, CPL.

PosNo.	Part No.	Qty.	Description	Remark
1	VF16611457	1	FOLDING FASTENER	
2	VRR0345701	1	SPRING, GAS	
3	KG00351561	4	HEX. BOLT M6X65 8.8	
4	KG00356261	1	HEX. BOLT M10X90 8.8	
5	KG00472261	2	HEX. SCREW M8X30 8.8	
6	KG00474361	1	HEX. SCREW M10X30 8.8	
7	KG00545061	4	CHEESE HEAD SCREW M8X20 8.8	
8	KG00639261	2	CARRIAGE BOLT M8X30 8.8	
9	KG00980661	8	FLANGED BOLT M6X16 90	
10	KG01061161	8	LOCK NUT M6 8	
11	KG01061261	8	LOCK NUT M8 8	
12	KG01068761	1	LOCK NUT M8 10	
13	KG01068861	2	LOCK NUT M10 10	
14	VGMT152V	2	RING	
15	VF16615400	2	CAP, PLASTIC	
16	VRR0096801	2	STOP	
17	VRR0166601	1	HANDLE	
18	VRR0369701	2	FLANGE	
19	VRR0647094	1	SHIELD, UPPER	
20	VRR0647182	1	BRACE	
21	VRR0696894	1	GUARD RAIL	
22	VRR0697093	1	SLEEVE	
23	VGTH100V	4	RING	

# LB 8200 / FRAME, PROTECTION

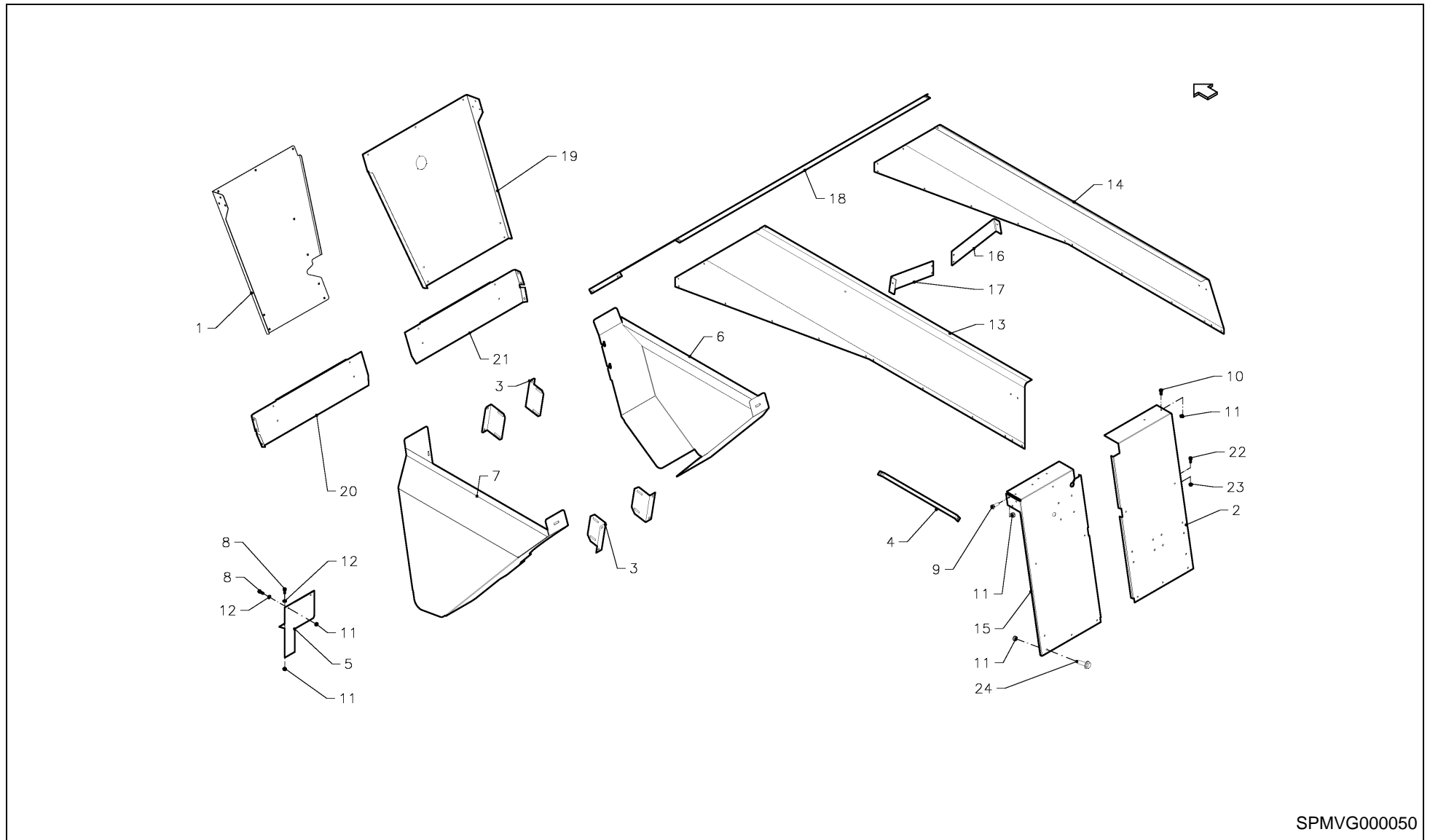


0504GR-3-073



## LB 8200 / FRAME, PROTECTION

PosNo.	Part No.	Qty.	Description	Remark
1	VGGR018K0	1	HOLDER, REAR	
2	VGGR0218K0	1	BEAM	
3	VGGR053K0	1	BRACE, LH	
4	VGGR220K0	2	PLATE	
5	KG00472161	1	HEX. SCREW M8X25 8.8	
6	KG00472261	2	HEX. SCREW M8X30 8.8	
7	KG00474261	1	HEX. SCREW M10X25 8.8	
8	KG00637161	4	CARRIAGE BOLT M6X20 8.8	
9	KG00980661	3	FLANGED BOLT M6X16 90	
10	KG01061161	3	LOCK NUT M6 8	
11	KG01061161	4	LOCK NUT M6 8	
12	KG01061261	3	LOCK NUT M8 8	
13	KG01061361	1	LOCK NUT M10	
14	KG01068761	1	LOCK NUT M8 10	
15	VRR0644982	1	BRACE, LH	
16	VRR0645082	1	BRACE, RH	
17	VRR0645182	1	SHIELD PROFILE, LH	
18	VRR0645282	1	SHIELD PROFILE, RH	
19	VRR0645882	2	STRIP	
20	VRR0645982	2	BRACE	
21	VRR0646282	2	BRACE	
22	VRR0658282	1	BRACE, LH	
23	VRR0658382	1	BRACE, RH	
24	VRR0658782	2	PLATE	
25	VRR0684682	1	BRACE, RH	
26	VRR0713582	1	SUPPORT, LH	
27	VRR0713682	1	SUPPORT, RH	
28	VRR0715182	1	SUPPORT, LH	
29	VRR0715282	1	SUPPORT, RH	
30	VRR0715382	1	SUPPORT, LH	
31	VRR0715482	1	SUPPORT, RH	

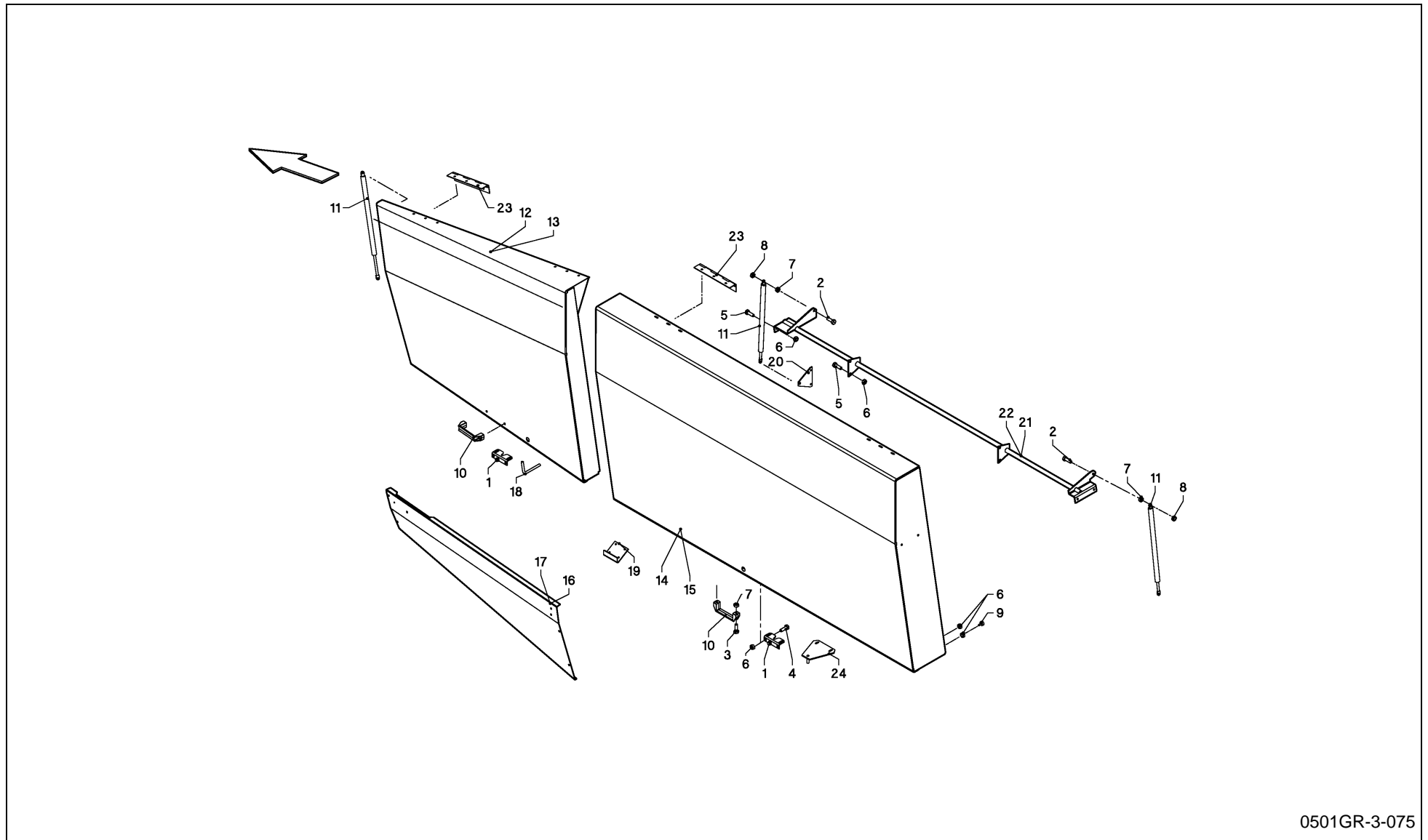


SPMVG000050



## LB 8200 / PROTECTION, CPL.

PosNo.	Part No.	Qty.	Description	Remark
1	VGGR203K0	1	GUARD, PROTECT., LH	
2	VRR0646482	1	PLATE, RH	
3	VGGP368K0	4	PLATE	
4	VGGP463K0	1	STRIP	
5	VGGP805	1	PROTECTION CURTAIN	
6	VGGR350K0	1	PLATE, RH	
7	VGGR351K0	1	PLATE, LH	
8	KG00468761	4	HEX. SCREW M6X16 8.8	
9	KG00637061	1	CARRIAGE BOLT M6X16 8.8	
10	KG00980761	1	FLANGED BOLT M6X20 90	
11	KG01061161	8	LOCK NUT M6 8	
12	VGND3034V	4	WASHER, PLAIN	
13	VRR0644782	1	GUARD, PROTECT., LH	
14	VRR0644882	1	GUARD, PROTECT., RH	
15	VRR0646382	1	PLATE, LH	
16	VRR0672282	1	BRACE, RH	
17	VRR0672382	1	BRACE, LH	
18	VRR0683282	1	PLATE	
19	VRR0684182	1	PLATE	
20	VRR0684282	1	PLATE	
21	VRR0684382	1	PLATE	
22	KG00472161	1	HEX. SCREW M8X25 8.8	
23	KG01061261	7	LOCK NUT M8 8	
24	KG00980661	1	FLANGED BOLT M6X16 90	



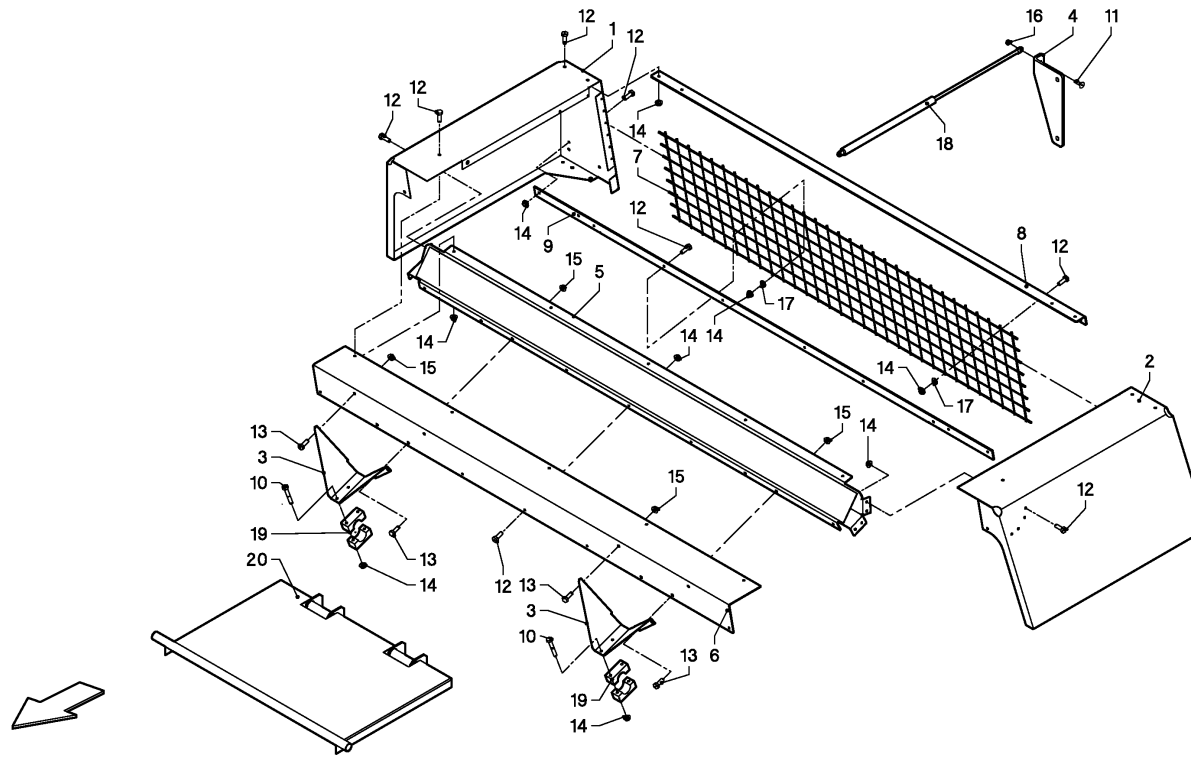
0501GR-3-075



## LB 8200 / PROTECTION, CPL.

PosNo.	Part No.	Qty.	Description	Remark
1	VF16611457	4	FOLDING FASTENER	
2	KG00353161	2	HEX. BOLT M8X35 8.8	
3	KG00623761	1	CHEESE HEAD SCREW M8X16 8.8	
4	KG00637061	1	CARRIAGE BOLT M6X16 8.8	
5	KG00980661	2	FLANGED BOLT M6X16 90	
6	KG01061161	5	LOCK NUT M6 8	
7	KG01061261	3	LOCK NUT M8 8	
8	KG01068761	2	LOCK NUT M8 10	
9	VRR0096801	8	STOP	
10	VRR0166601	4	HANDLE	
11	VRR0345701	6	SPRING, GAS	
12	VRR0647894	1	PLATE, LH	
13	VRR0647994	1	PLATE, RH	
14	VRR0649294	1	PLATE, LH	
15	VRR0649394	1	PLATE, RH	
16	VRR0655194	1	PLATE, LH	
17	VRR0655294	1	PLATE, RH	
18	VRR0659693	2	PIN	
19	VRR0659782	2	BRACE	
20	VRR0672682	2	BRACE	
21	VRR0673182	1	BRACE, LH	
22	VRR0673882	1	BRACE, RH	
23	VRR0676382	8	HINGE	
24	VRR0716882	2	BRACE	

# LB 8200 / PROTECTION, KNOTTING APPARATUS



0501GR-3-076

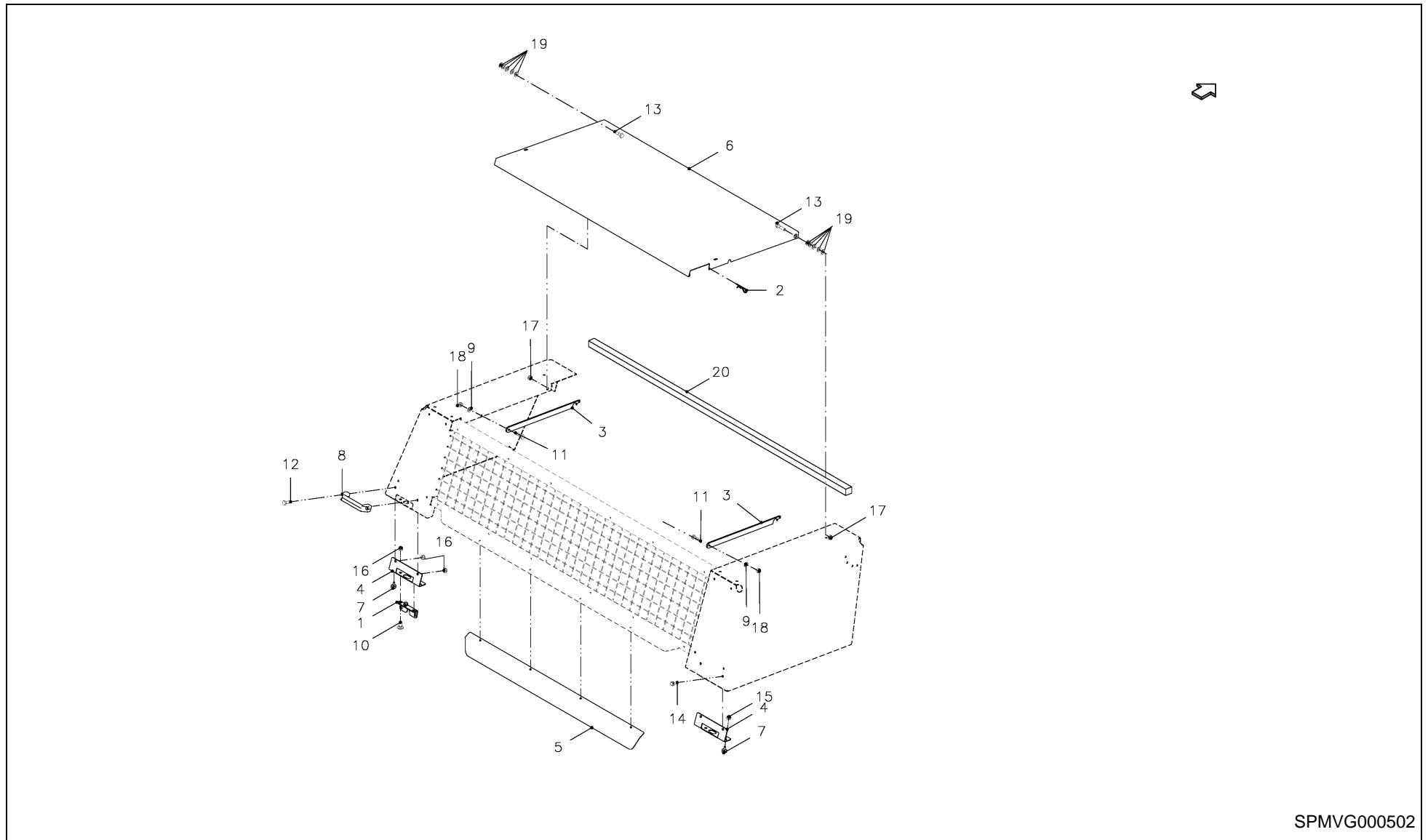


# LB 8200 / PROTECTION, KNOTTING APPARATUS



PosNo.	Part No.	Qty.	Description	Remark
1	VGGP1126K1	1	GUARD	
2	VGGP1127K1	1	GUARD	
3	VGGP352K0	2	SUPPORT	
4	VGGP461K0	1	PLATE	
5	VGGR016K0	1	PROFILE	
6	VGGR186K0	1	PROFILE	
7	VGGR187K0	1	CURTAIN	
8	VGGR188K0	1	PROFILE	
9	VGGR189K0	1	PROFILE	
10	KG00351561	4	HEX. BOLT M6X65 8.8	
11	KG00639361	1	CARRIAGE BOLT M8X35 8.8	
12	KG00980661	35	FLANGED BOLT M6X16 90	
13	KG00981161	6	FLANGED BOLT M8X16 90	
14	KG01061161	37	LOCK NUT M6 8	
15	KG01061261	6	LOCK NUT M8 8	
16	KG01068761	1	LOCK NUT M8 10	
17	VGND3034V	12	WASHER, PLAIN	
18	VRR0345701	1	SPRING, GAS	
19	VRR0369701	2	FLANGE	
20	VRR0444582	1	PLATE	

# LB 8200 / PROTECTION, KNOTTING APPARATUS



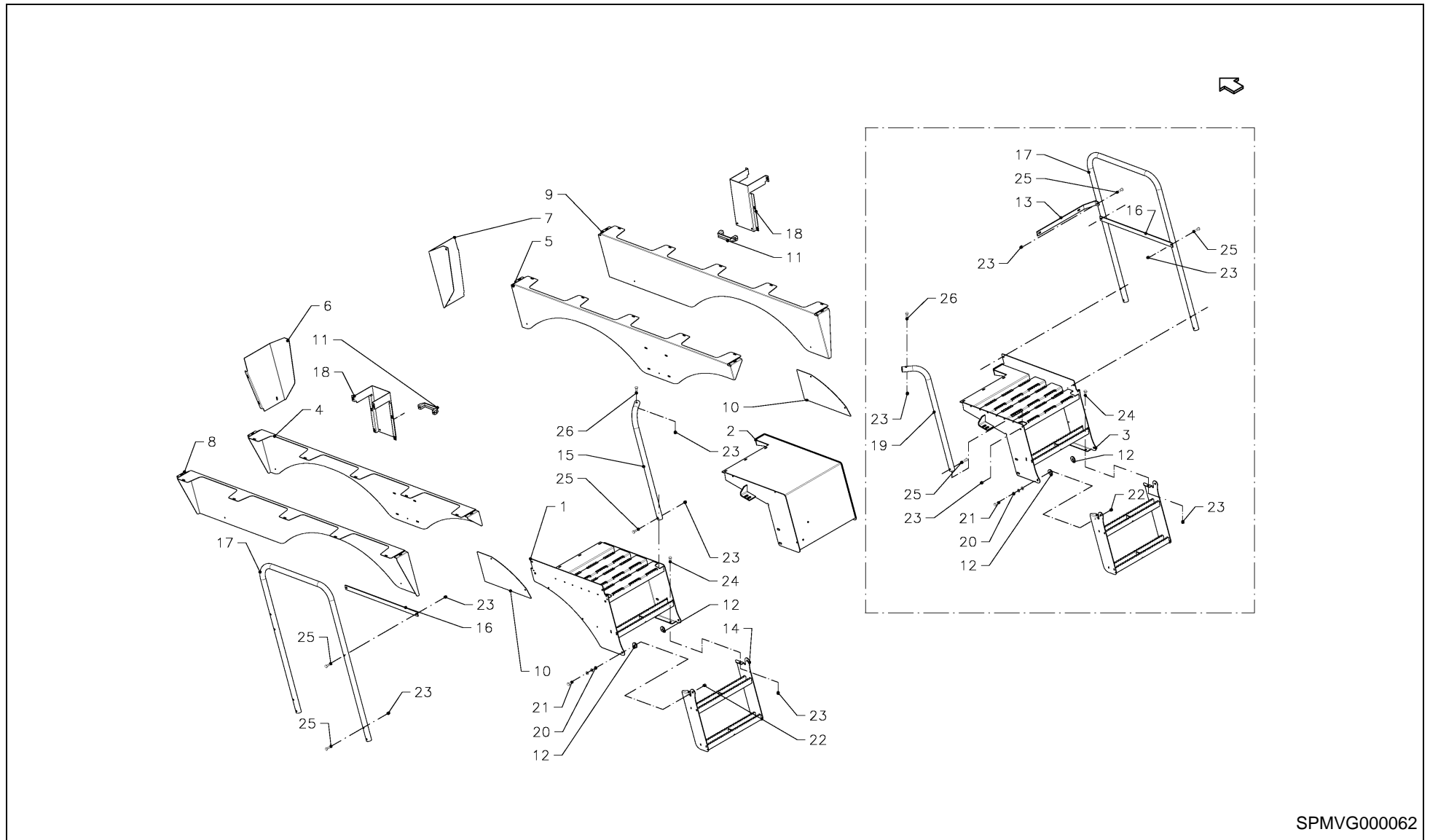
SPMVG000502

# LB 8200 / PROTECTION, KNOTTING APPARATUS



PosNo.	Part No.	Qty.	Description	Remark
1	VF16611457	1	FOLDING FASTENER	
2	VR37158050	2	PIN	
3	VGGP1137K0	2	STRIP	
4	VGGP1142K0	2	SUPPORT	
5	VGGP1161K0	1	PLATE	
6	VGGR185K0	1	PLATE	
7	VRR0096801	2	STOP	
8	VRR0166601	1	HANDLE	
9	VG37129050V	2	WASHER, BELLEVILLE	
10	VGGM152V	2	CARRIAGE BOLT	
11	KG00468761	2	HEX. SCREW M6X16 8.8	
12	KG00545000	2	CHEESE HEAD SCREW M8X20 8.8	
13	KG00546861	2	CHEESE HEAD SCREW M10X25 8.8	
14	KG00981161	1	FLANGED BOLT M8X16 90	
15	KG01061161	1	LOCK NUT M6 8	
16	KG01061261	3	LOCK NUT M8 8	
17	KG01061361	2	LOCK NUT M10	
18	KG01069161	2	LOCK NUT M16 10	
19	KG01267461	10	WASHER M10	
20	VGND9905	1	RUBBER JOINT 20X4MM	

# LB 8200 / PROTECTION, REAR

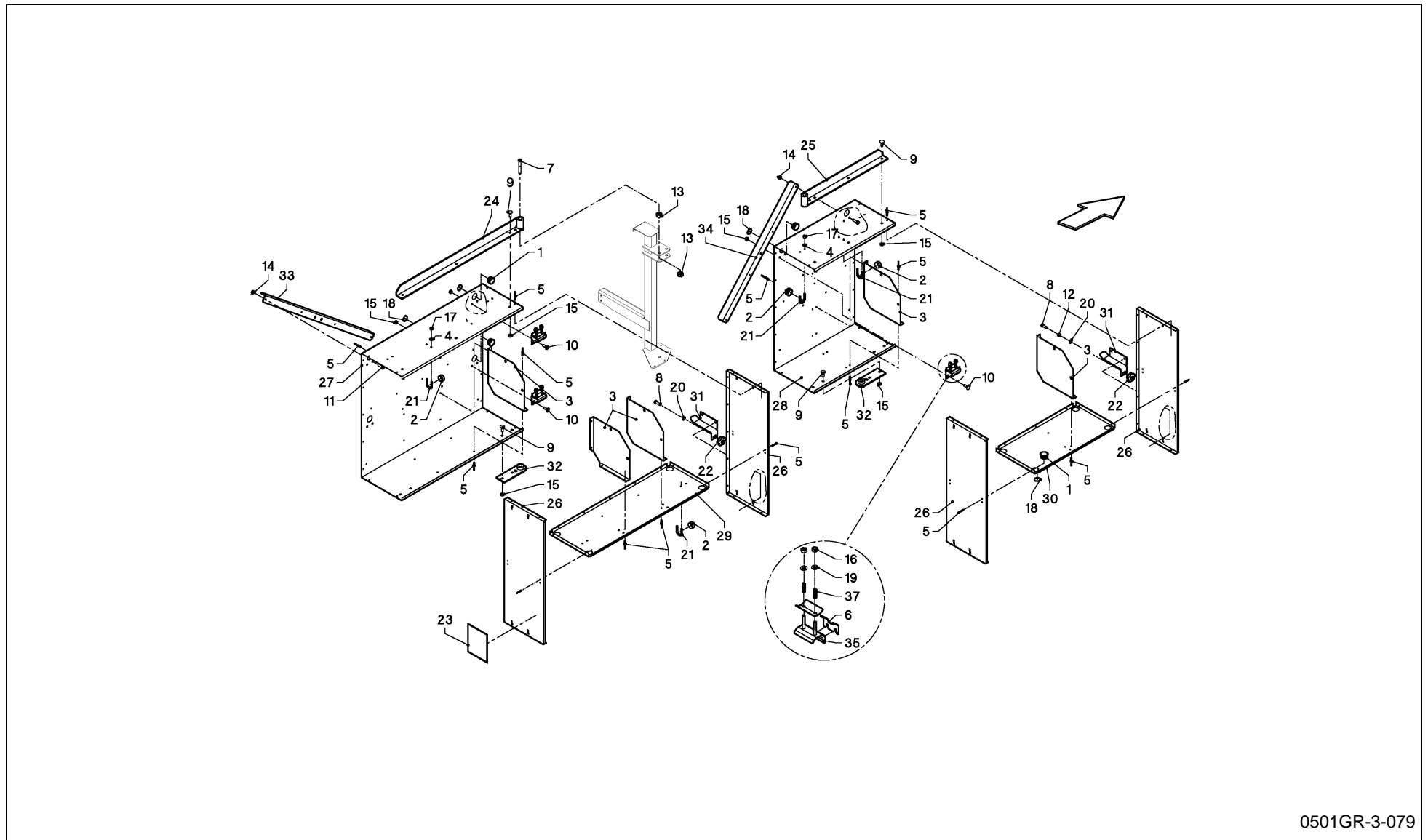


SPMVG000062



## LB 8200 / PROTECTION, REAR

PosNo.	Part No.	Qty.	Description	Remark
1	VGGP01665K0	1	PLATFORM, LH	
2	VGGP01666K0	1	PLATFORM, RH	
3	VGGP01688K0	1	PLATFORM, RH	OPTION
4	VGGP1259K0	1	GUARD, PROTECT., LH	
5	VGGP1260K0	1	GUARD, PROTECT., RH	
6	VGGP1671K0	1	PLATE, LH	
7	VGGP1672K0	1	PLATE, RH	
8	VGGP1675K0	1	GUARD, PROTECT., LH	SINGLE AXLE
9	VGGP1676K0	1	GUARD, PROTECT., RH	SINGLE AXLE
10	VGGP1683K0	2	GUARD, PROTECT.	SINGLE AXLE
11	VRR0166601	2	HANDLE	
12	VGMT152V	4	RING	
13	VRR0661882	1	BRACE	
14	VRR0828782	2	STEP	
15	VRR0829882	1	RAIL, GUARD, LH	
16	VRR0829982	2	STRIP	
17	VRR0830282	2	RAIL, GUARD	
18	VRR0830382	2	SUPPORT	
19	VRR0831282	1	RAIL, GUARD, RH	OPTION
20	KG01260361	6	WASHER M10X30 ST	
21	KG00474261	2	HEX. SCREW M10X25 8.8	
22	KG01068861	2	LOCK NUT M10 10	
23	KG01061261	10	LOCK NUT M8 8	
24	KG00981161	2	FLANGED BOLT M8X16 90	
25	KG00353361	6	HEX. BOLT M8X45 8.8	
26	KG00353661	2	HEX. BOLT M8X60 8.8	

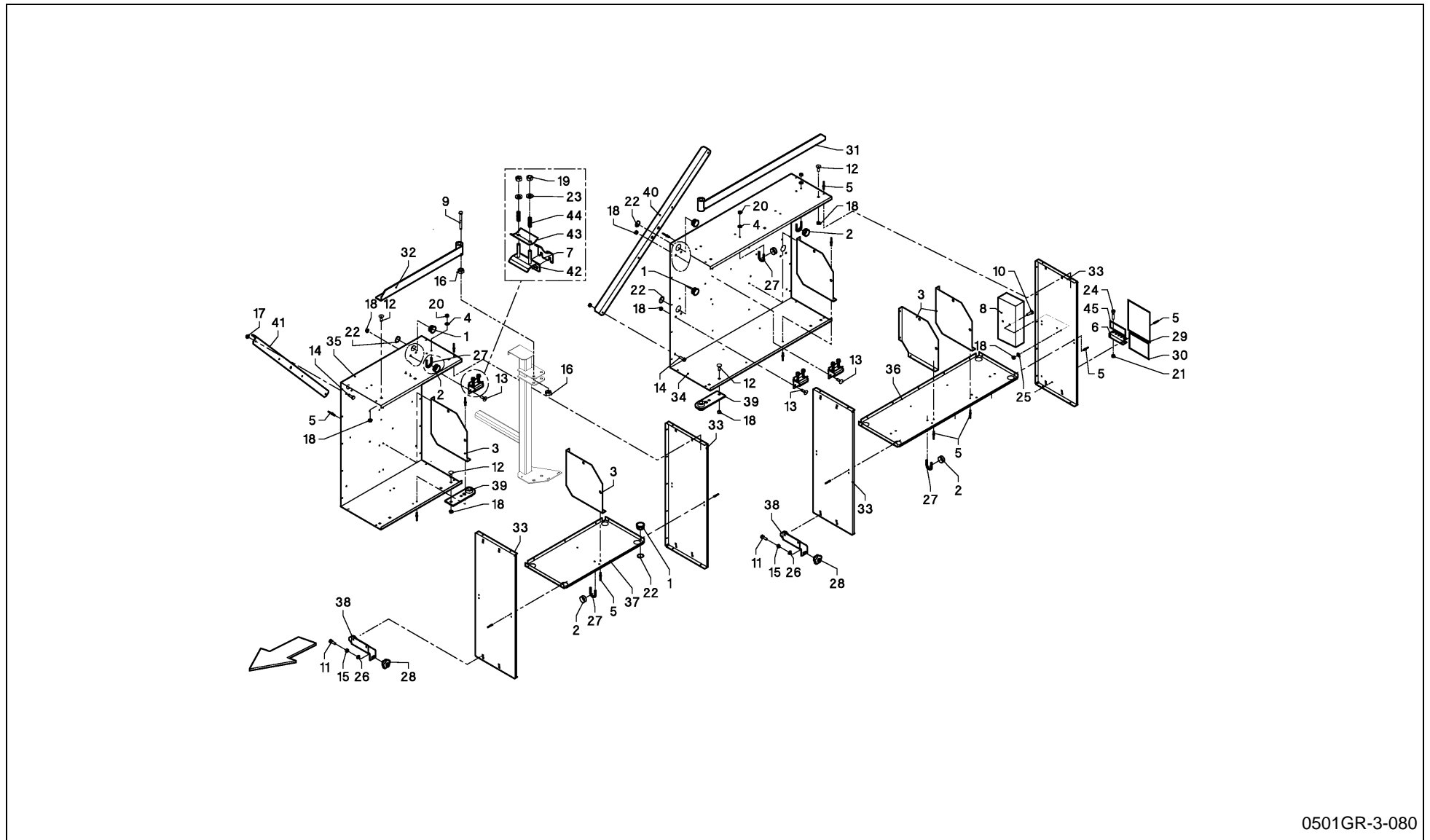


0501GR-3-079



# LB 8200 / BOX, TWINE, CPL.

PosNo.	Part No.	Qty.	Description	Remark
1	VR13528010	4	PIPE, TWINE GUIDE	
2	VF16510738.61	10	TWINE GUIDE	
3	VR19023049	6	PLATE	
4	VG37129050V	18	WASHER, BELLEVILLE	
5	VG37208104	76	RIVET, BLIND	
6	VGGP1226V	6	PLATE	
7	KG00363161	2	HEX. BOLT M16X140 8.8	
8	KG00474761	2	HEX. SCREW M10X50 8.8	
9	KG00638961	10	CARRIAGE BOLT M8X16 8.8	
10	KG00639061	6	CARRIAGE BOLT M8X20 8.8	
11	KG00980661	8	FLANGED BOLT M6X16 90	
12	KG01052061	1	HEX. NUT M10 8	
13	KG01052361	2	HEX. NUT M16 8	
14	KG01061161	8	LOCK NUT M6 8	
15	KG01061261	16	LOCK NUT M8 8	
16	KG01068761	6	LOCK NUT M8 10	
17	KG01067361	18	LOCK NUT M6 8	
18	KG01109362	4	CIRCLIP-A 35 X 1.5	
19	KG01267361	6	WASHER M8	
20	VGND3147V	2	WASHER	
21	VRR0403293	9	BRACE	
22	UH855380	2	HANDWHEEL M10	
23	VRR0534174	1	DECAL	
24	VRR0713782	1	SUPPORT	
25	VRR0713982	1	SUPPORT	
26	VRR0714182	4	PLATE	
27	VRR0714282	1	PLATE	
28	VRR0714382	1	PLATE	
29	VRR0714482	1	PLATE	
30	VRR0714582	1	PLATE	
31	VRR0716182	2	LOCKING LEVER, RH	
32	VRR0716582	2	BRACKET	
33	VRR0722282	1	SUPPORT	
34	VRR0722382	1	SUPPORT	
35	VRR0815893	3	SUPPORT	
37	VRR0816093	6	SPRING, COMPRESSION	



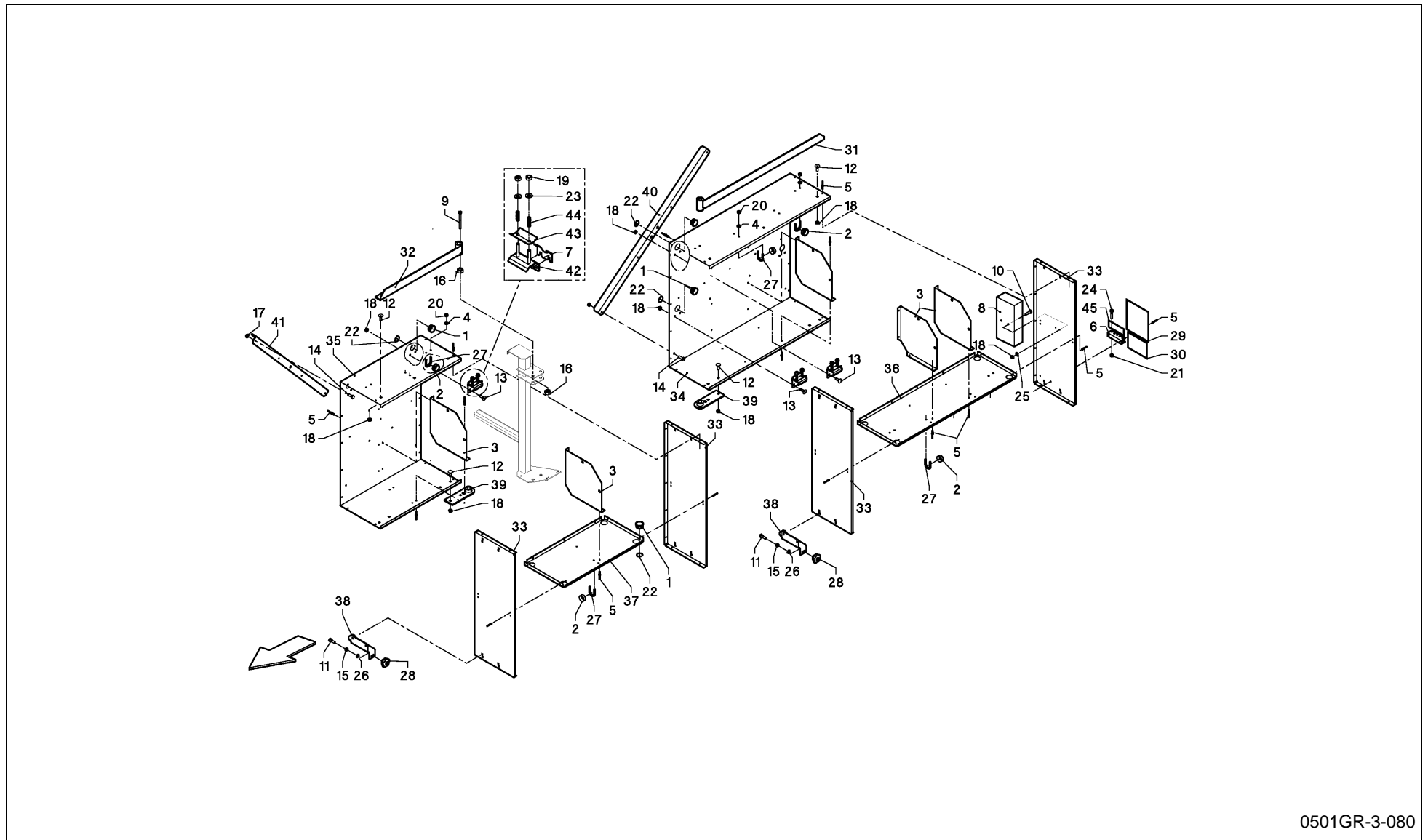
0501GR-3-080



**LB 8200 / BOX, TWINE, CPL.**



PosNo.	Part No.	Qty.	Description	Remark
1	VR13528010	4	PIPE, TWINE GUIDE	
2	VF16510738.61	10	TWINE GUIDE	
3	VR19023049	6	PLATE	
4	VG37129050V	19	WASHER, BELLEVILLE	
5	VG37208104	72	RIVET, BLIND	
6	VGDV47K0	1	SUPPORT	
7	VGGP1226V	4	PLATE	
8	VGGP1318	1	BOX	
9	KG00363161	2	HEX. BOLT M16X140 8.8	
10	KG00471761	2	HEX. SCREW M8X16 8.8	
11	KG00474761	2	HEX. SCREW M10X50 8.8	
12	KG00638961	10	CARRIAGE BOLT M8X16 8.8	
13	KG00639061	6	CARRIAGE BOLT M8X20 8.8	
14	KG00980661	8	FLANGED BOLT M6X16 90	
15	KG01052061	2	HEX. NUT M10 8	
16	KG01052361	4	HEX. NUT M16 8	
17	KG01061161	8	LOCK NUT M6 8	
18	KG01061261	18	LOCK NUT M8 8	
19	KG01068761	6	LOCK NUT M8 10	
20	KG01067361	19	LOCK NUT M6 8	
21	KG01068761	5	LOCK NUT M8 10	
22	KG01109362	4	CIRCLIP-A 35 X 1.5	
23	KG01267361	6	WASHER M8	
24	VGND1612V	5	BOLT, NUTTED	
25	VGND3030V	2	WASHER, PLAIN	
26	VGND3147V	4	WASHER	
27	VRR0403293	9	BRACE	
28	UH855380	2	HANDWHEEL M10	
29	VRR0534174	1	DECAL	
30	VRR0534274	1	DECAL	
31	VRR0713782	1	SUPPORT	
32	VRR0713982	1	SUPPORT	
33	VRR0714182	4	PLATE	
34	VRR0714282	1	PLATE	
35	VRR0714382	1	PLATE	
36	VRR0714482	1	PLATE	
37	VRR0714582	1	PLATE	
38	VRR0716182	2	LOCKING LEVER, RH	
39	VRR0716582	2	BRACKET	
40	VRR0722282	1	SUPPORT	

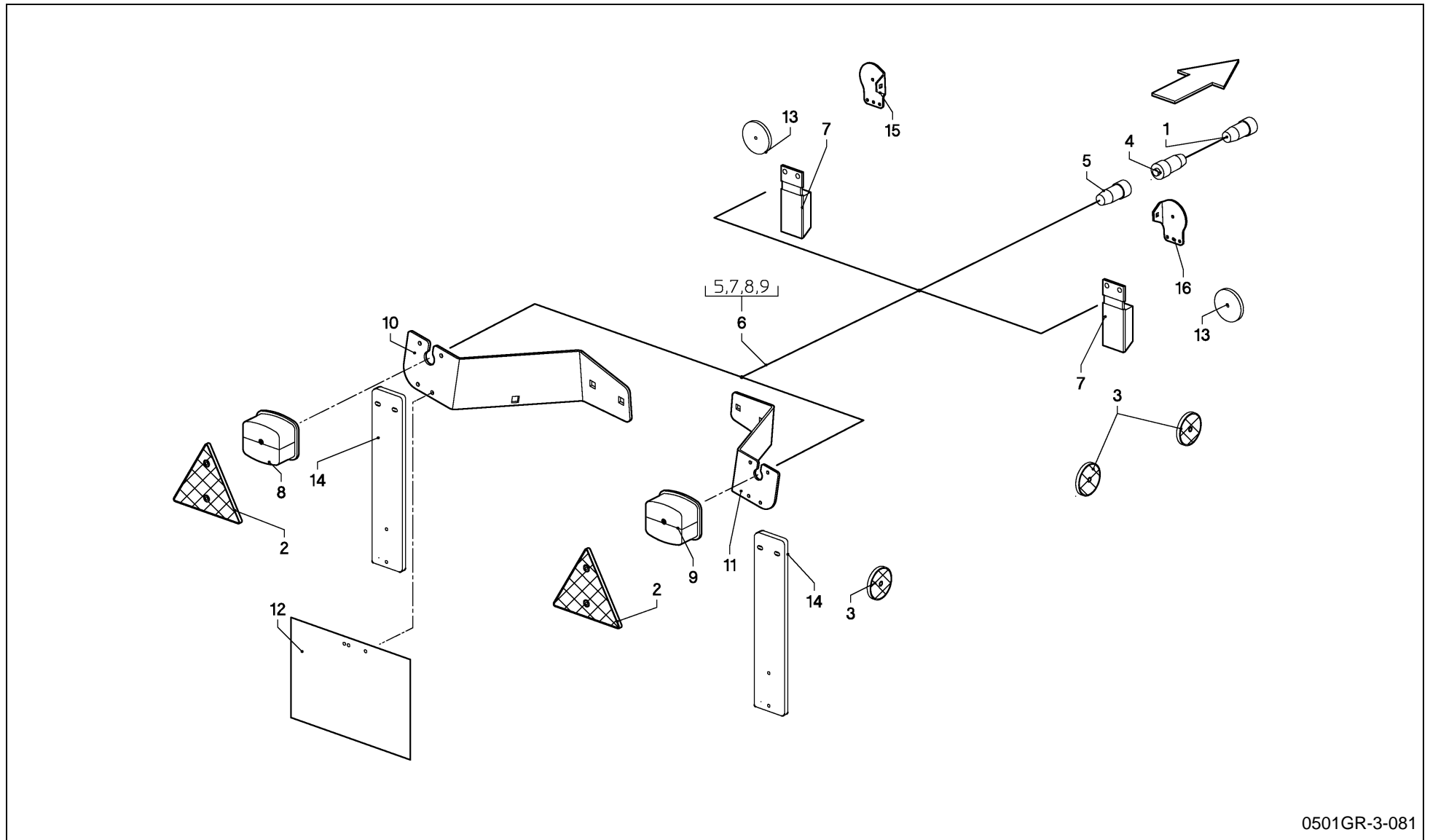


0501GR-3-080

**LB 8200 / BOX, TWINE, CPL.**



PosNo.	Part No.	Qty.	Description	Remark
41	VRR0722382	1	SUPPORT	
42	VRR0815893	3	SUPPORT	
43	VRR0815993	3	PLATE	
44	VRR0816093	6	SPRING, COMPRESSION	
45	VGTR3053	1	DECAL	



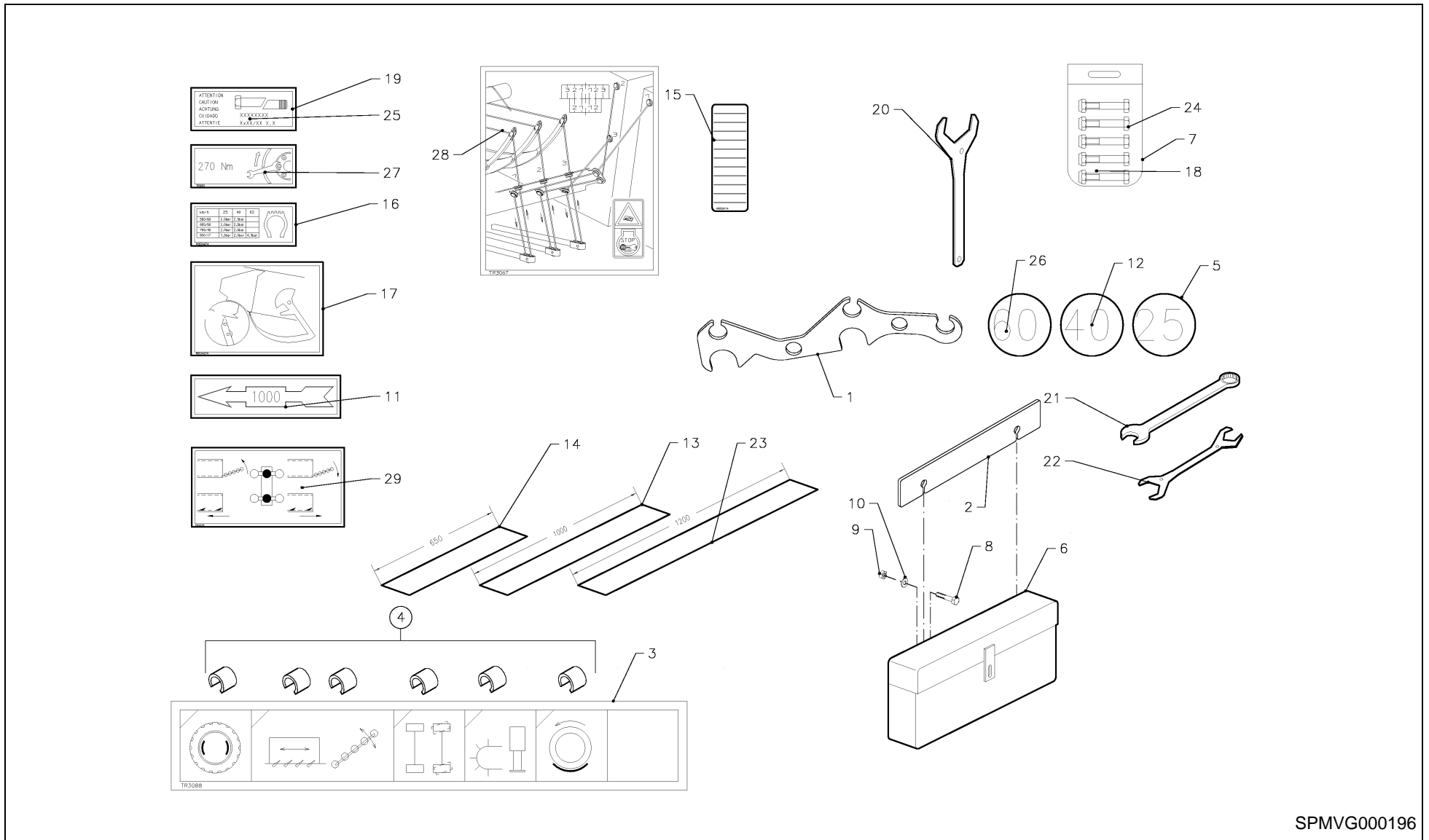
0501GR-3-081

# LB 8200 / LIGHTING



PosNo.	Part No.	Qty.	Description	Remark
1	VR17803901	1	LACED CABLES	
2	VG32102810	2	REFLECTOR, RED	
3	VGND9889	8	REFLECTOR, YELLOW	
4	VGBR804	2	7-PIN CONNECTOR	
5	VG37803152	1	7-PIN TRAILER SOCKET	
6	VGGB00509	1	LIGHTING SET	
7	VGGP620	2	LAMP ASSY	
8	VGGP621	1	LIGHT, TAIL, LH	
9	VGGP622	1	LIGHT, TAIL, RH	
10	VRR0073182	1	BRACE, LH	
11	VRR0073282	1	BRACE, RH	
12	VRR0073301	1	PLATE	
13	VRR0298401	2	REFLECTOR, WHITE	
14	VRR0805901	2	SUPPORT	
15	VRR0812382	1	SUPPORT, LH	
16	VRR0812482	1	SUPPORT, RH	

# LB 8200 / DECALS + EXTRA PARTS



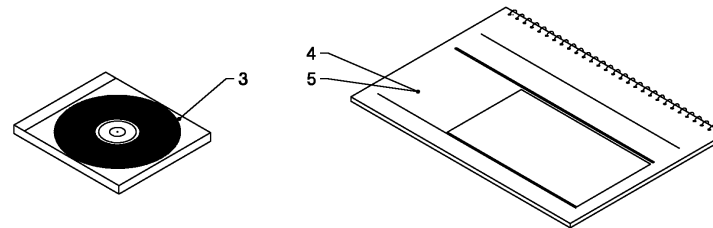
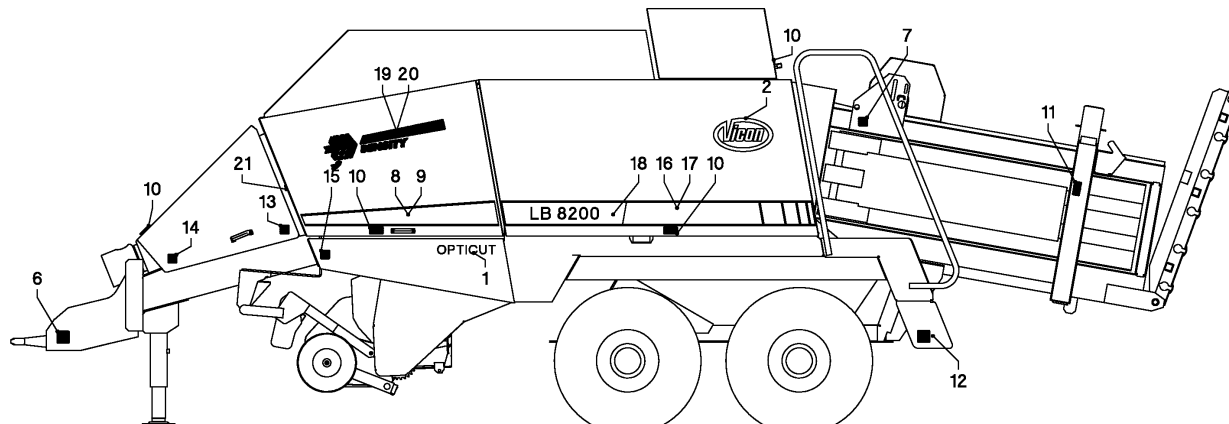
SPMVG000196



## LB 8200 / DECALS + EXTRA PARTS

PosNo.	Part No.	Qty.	Description	Remark
1	VGGP1151K1	1	PLATE	
2	VGGP1772K0	1	STRIP	
3	VGTR3088	1	DECAL	
4	AC351803	1	SET TUBE CLIP RED-GREEN-YELLOW-BLUE 16PC	
5	VNB1357574	1	DECAL	25 km/h
6	VGGP1708K0	1	BOX, TOOL	
7	VGGP00689	1	SHEAR BOLT SET	M8 x 40
8	KG00474361	2	HEX. SCREW M10X30 8.8	
9	KG01068861	2	LOCK NUT M10 10	
10	KG01267461	2	WASHER M10	
11	VRR0125174	1	DECAL	1000/ min
12	VRR0184174	1	DECAL	40 km/h
13	VRR0190501	7	TAPE, ANTI-SLIP L=1000	L=1000
14	VRR0273301	2	TAPE, ANTI-SLIP	L=650
15	VRR0528174	1	DECAL	
16	VRR0534074	1	DECAL	
17	VRR0534274	1	DECAL	
18	VRR0579900	1	SHEAR BOLT SET	M6 x 30/15
19	VRR0580074	1	DECAL	DECAL M6 x 30/15
20	VRR0591882	1	SPANNER	
21	VRR0703701	1	3SPANNER	
22	VRR0703801	1	SPANNER	
23	VRR0709201	6	TAPE, ANTI-SLIP	L=1200
24	VRR0712800	1	SHEAR BOLT SET	M10
25	VGTR3053	1	DECAL	DECAL M8 x 40
26	VGTR3056	1	TRANSFER	
27	VGTR3061	1	DECAL	
28	VGTR3067	1	DECAL	
29	VGTR3079	1	DECAL	

# LB 8200 / DECAL SET



0501GR-3-091

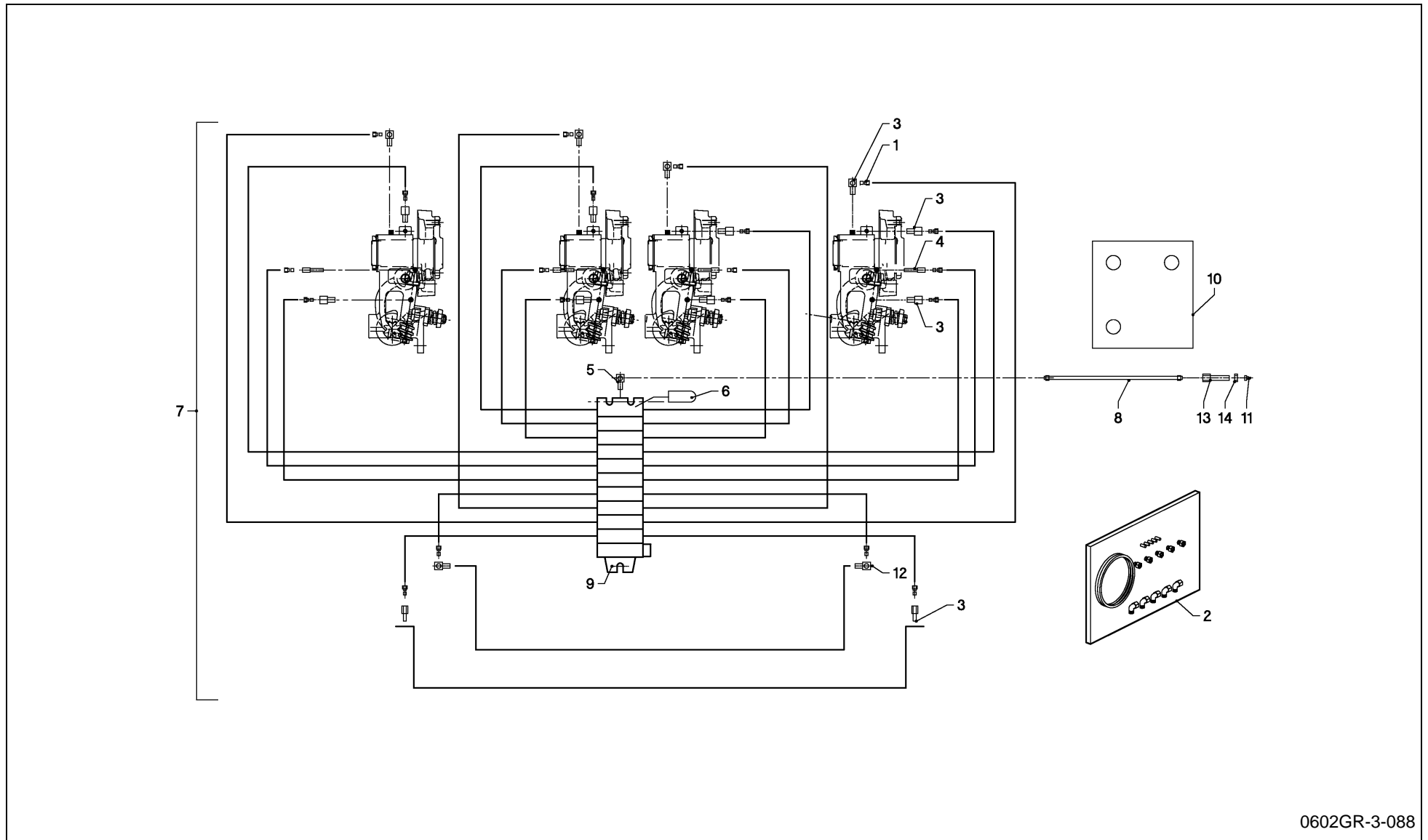


# LB 8200 / DECAL SET



PosNo.	Part No.	Qty.	Description	Remark
1	VF16518387	2	LABEL-OPTICUT	
2	VNB2071474	4	DECAL	
3	VNB2822600	1	CD-ROM (E-TEILE VICON)	
4	VGG0610GR(3)	1	OPERATION MANUAL	
5	VGP0706GR(3)	1	PARTS BOOK	
6	VRR0066574	1	DECAL	
7	VRR0315474	1	LOCKING DEVICE	
9	VRR0668774	1	DECAL	
9	VRR0692874	1	DECAL	
10	VGTR2006	6	DECAL "STOP ENGINE BEFORE MAINTENANCE"	
11	VGTR2007	2	DECAL "STAY CLEAR OF PARTS MOVING DOWN"	
12	VGTR2013	2	SAFETY DECAL	
13	VGTR2024	3	SAFETY DECAL	
14	VGTR2029	2	SAFETY DECAL	
15	VGTR2035	2	SAFETY DECAL	
16	VGTR3017	1	DECAL	
17	VGTR3018	1	DECAL	
18	VGTR3028	2	DECAL	
19	VGTR3047	1	DECAL	
20	VGTR3048	1	DECAL	
21	VGTR61	1	SAFETY DECAL	

# LB 8200 / LUBRICATION SYSTEM

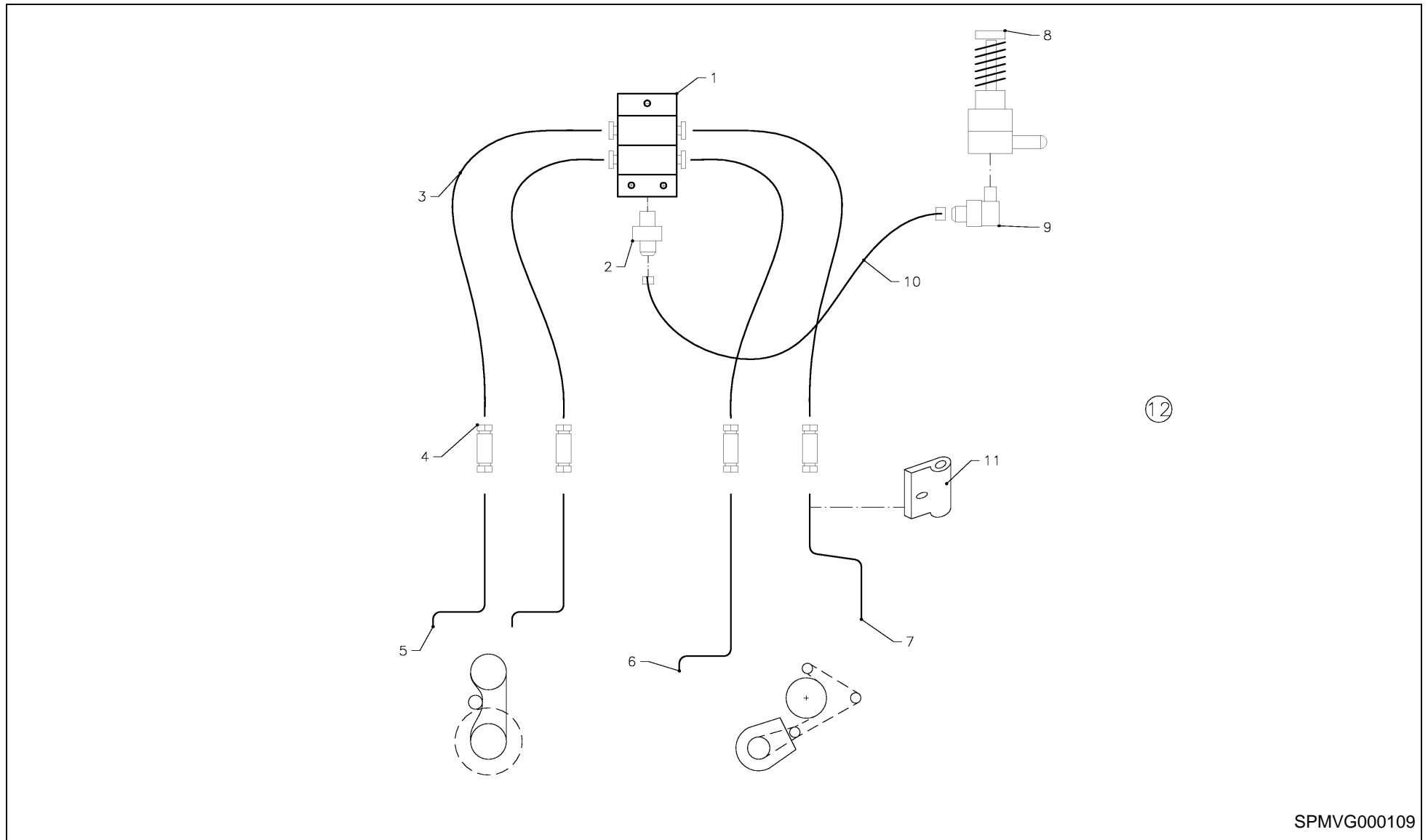


## LB 8200 / LUBRICATION SYSTEM



PosNo.	Part No.	Qty.	Description	Remark
1	VGGP00784	21	NUT, + RING ASSY.	
2	VGGP00885	1	REPAIR SET	
3	VGGP397	14	STUD COUPLING	
4	VGGP399	4	STUD COUPLING	
5	VGGP786	1	ELBOW COUPLING	
6	VGGP881	1	VALVE, PRESSURE RELIEF	
7	VGGR00129	1	LUBRICATION SYS. KNOTTING APP.	
8	VGGR131	1	LINE, LUBRICATION	
9	VGGR132	1	BLOCK	
10	VGGR190K0	1	PLATE	
11	VGND9027V	1	GREASE NIPPLE M6X135DEG	
12	VGGP001360	2	NIPPLE	
13	VRR0629013	1	COUPLING	
14	VRR0629014	1	NUT	

# LB 8200 / LUBE SYSTEM FOR CHAIN DRIVE



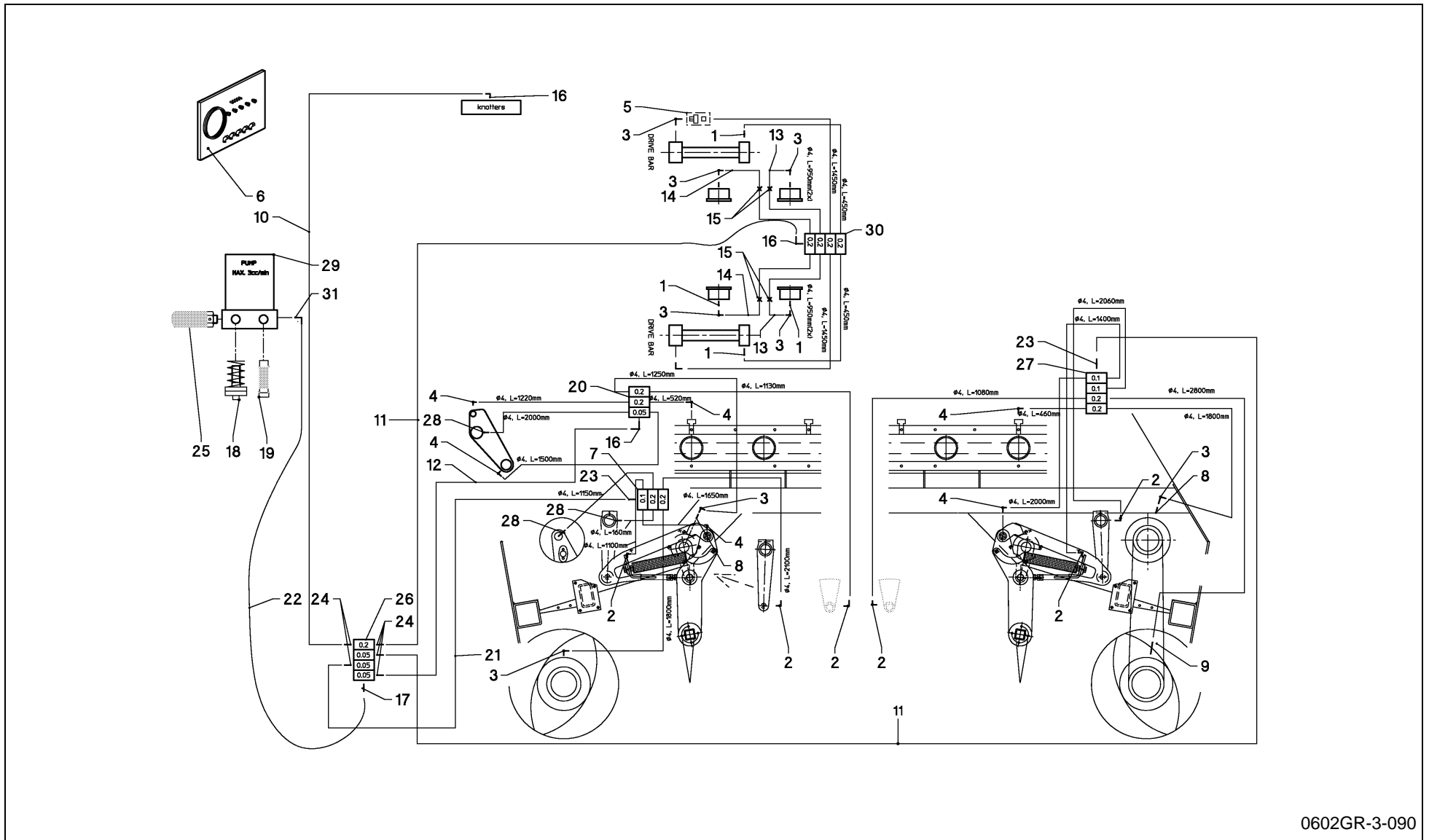
SPMVG000109

# LB 8200 / LUBE SYSTEM FOR CHAIN DRIVE



PosNo.	Part No.	Qty.	Description	Remark
1	VGGP1640	1	DIVIDER BLOCK	
2	VGGP367V	1	COUPLING	
3	VGGP1254	4	HOSE	
4	VGGP365V	4	COUPLING	
5	VGGP1635V	2	PIPE	
6	VGGP1634V	1	PIPE	
7	VGGP1636V	1	PIPE	
8	VGGP465	1	PUMP-UNIT	
9	VRR0708922	1	ELBOW COUPLING	
10	VGGP776	1	HOSE	
11	VGND90030	8	LEIDINGKLEM	

# LB 8200 / LUBRICATION SYSTEM



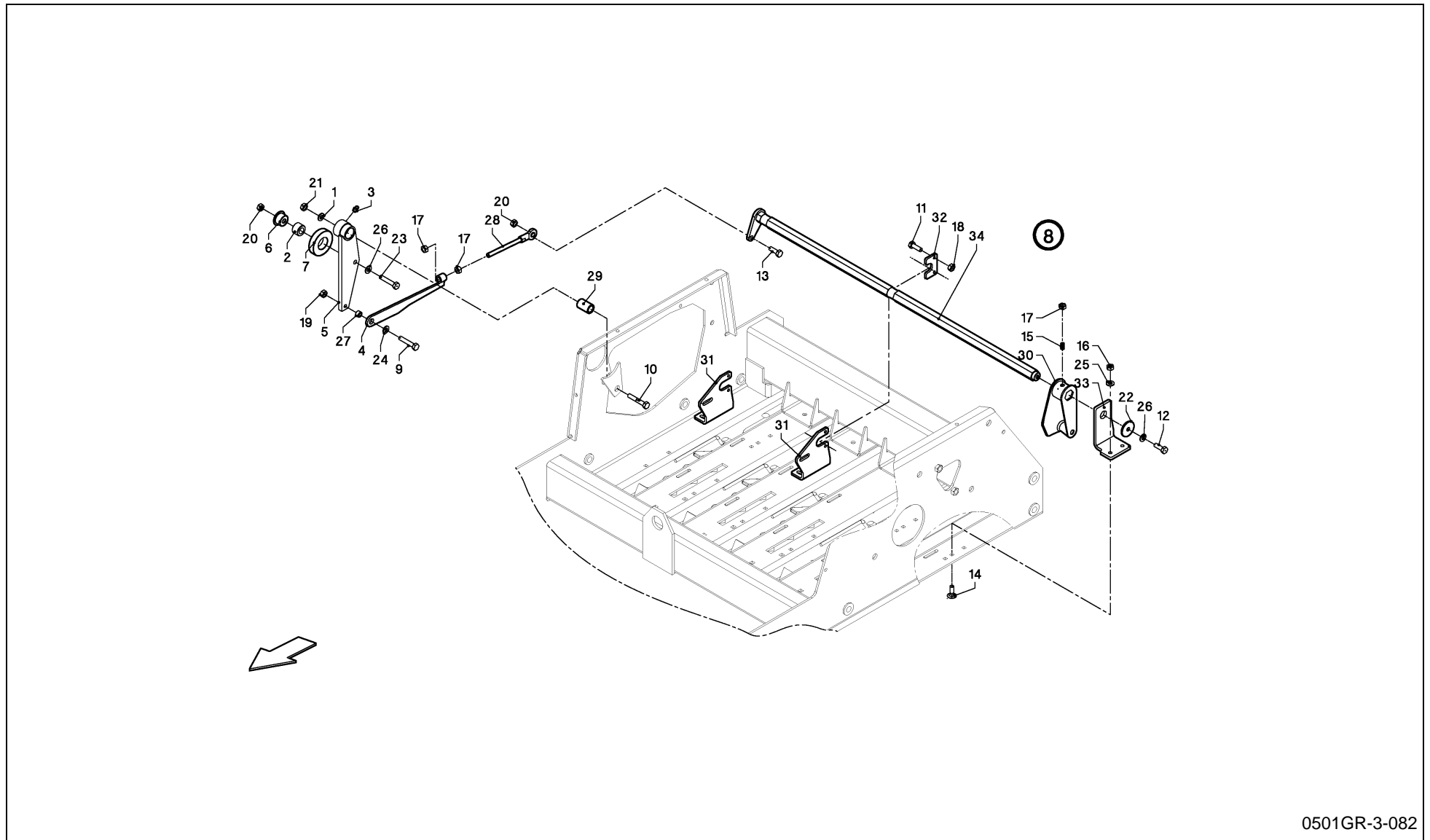
0602GR-3-090



## LB 8200 / LUBRICATION SYSTEM

PosNo.	Part No.	Qty.	Description	Remark
1	VR38228054	6	OUPLING	
2	VGGP001358	6	ELBOW COUPLING	
3	VGGP001359	9	NIPPLE	
4	VGGP001360	6	NIPPLE	
5	VGGP00784	1	NUT, + RING ASSY.	
6	VGGP00885	1	REPAIR SET	
7	VGGP1201	1	BLOCK, HYDR.	
8	VGGP1202	2	COUPLING	
9	VGGP1203	1	COUPLING	
10	VGGP357	1	HOSE	
11	VGGP358	2	HOSE	
12	VGGP360	1	HOSE	
13	VGGP364V	2	HOSE	
14	VGGP364V	2	HOSE	
15	VGGP365V	4	COUPLING	
16	VGGP366V	3	ELBOW COUPLING	
17	VGGP367V	1	COUPLING	
18	VGGP465	1	PUMP-UNIT	
19	VGGP466	1	ELEMENT, FILTER	
20	VGGP774	1	VALVE, DIVIDER	
21	VGGP775	1	HOSE	
22	VGGP776	1	HOSE	
23	VGGP807V	2	COUPLING	
24	VGGP815	5	STUD COUPLING, MALE	
25	VGGP881	1	VALVE, PRESSURE RELIEF	
26	VGGR135	1	VALVE, DIVIDER	
27	VGGR136	1	VALVE, DIVIDER	
28	VRR0480120	3	STUD COUPLING	
29	VRR0708910	1	PUMP, LUBRICATION	
30	VRR0708914	1	VALVE, DIVIDER	
31	VRR0708922	4	ELBOW COUPLING	

# LB 8200 / TWINE RELEASE



0501GR-3-082

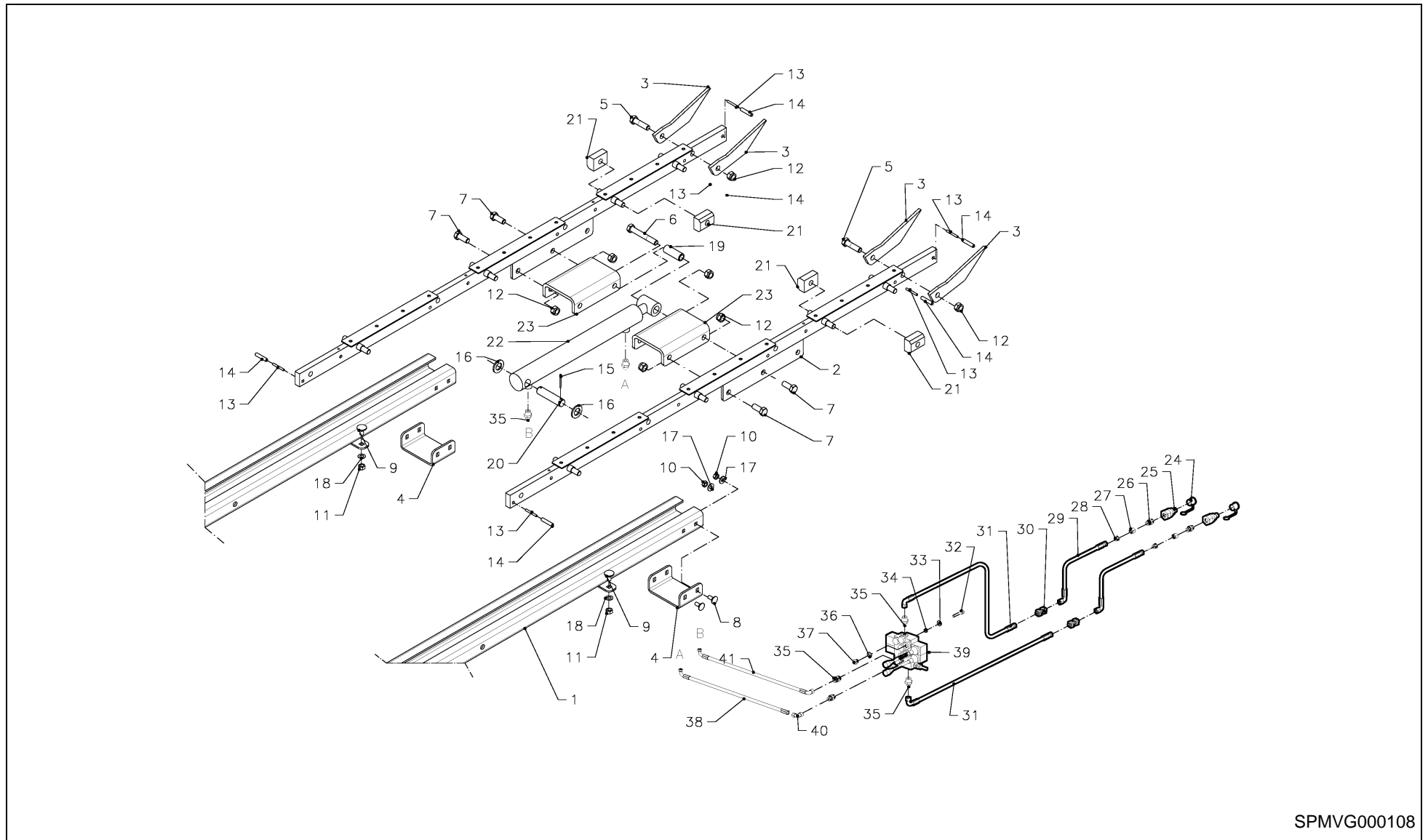


# LB 8200 / TWINE RELEASE



PosNo.	Part No.	Qty.	Description	Remark
1	VG37129064V	1	WASHER, BELLEVILLE	
2	VN40227300	1	BUSH	
3	VG38229007	1	GREASE NIPPLE	
4	VGGP01144K0	1	ARM	
5	VGGP07	1	ARM	
6	VGGP659V	1	SLEEVE	
7	VGGP660V	1	RING	
8	ACCESSOIRE	1	PLEASE CONTACT YOUR DEALER	
9	KG00353161	1	HEX. BOLT M8X35 8.8	
10	KG00362561	1	HEX. BOLT M16X80 8.8	
11	KG00468961	4	HEX. SCREW M6X20 8.8	
12	KG00474261	1	HEX. SCREW M10X25 8.8	
13	KG00474361	1	HEX. SCREW M10X30 8.8	
14	KG00639161	2	CARRIAGE BOLT M8X25 8.8	
15	KG00936662	4	SET SCREW M10X16 45H	
16	KG01051961	2	HEX. NUT M8 8	
17	KG01052061	6	HEX. NUT M10 8	
18	KG01067361	4	LOCK NUT M6 8	
19	KG01068761	1	LOCK NUT M8 10	
20	KG01068861	2	LOCK NUT M10 10	
21	KG01069161	1	LOCK NUT M16 10	
22	VGMT152V	1	RING	
23	VGND1302V	1	BOLT, NUTTED, SPEC.	
24	VGND3030V	1	WASHER, PLAIN	
25	VGND3146V	2	CIRCLIP	
26	VGND3147V	2	WASHER	
27	VRR0049102	1	SLEEVE	
28	VRR0381100	1	ROD, CONTROL	
29	VRR0583102	1	SLEEVE	
30	VRR0825393	4	ARM	
31	VRR0825882	2	SUPPORT	
32	VRR0825982	2	PLATE	
33	VRR0826182	1	SUPPORT, LH	
34	VRR0826393	1	AXLE	

# LB 8200 / BALE EJECTOR



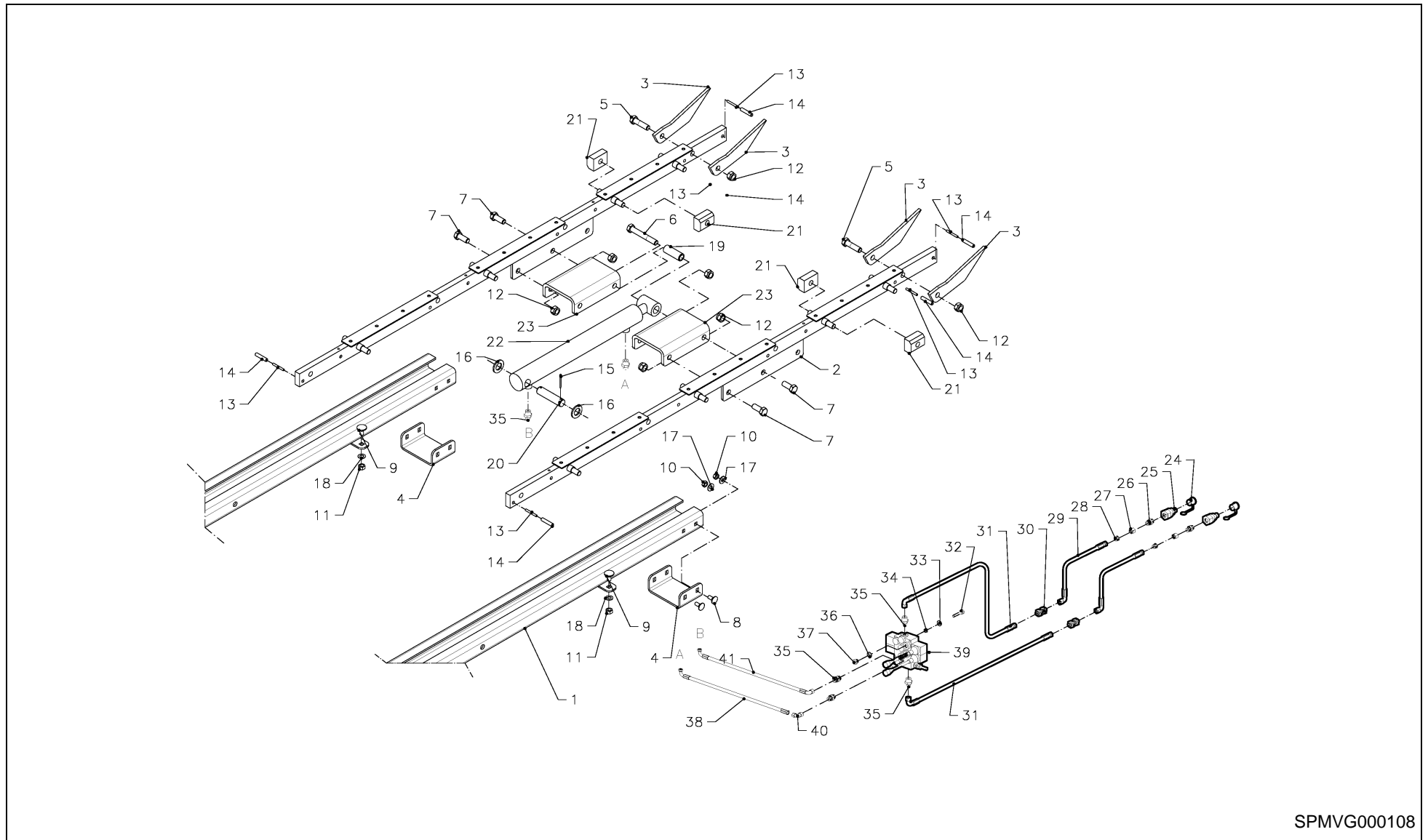
SPMVG000108

# LB 8200 / BALE EJECTOR



PosNo.	Part No.	Qty.	Description	Remark
1	VGGP01609K0	2	BEAM	
2	VGGP01612K0	2	GUIDE	
3	VGGP1479K0	16	TINE	
4	VGGP1608K0	2	SUPPORT	
5	KG00362161	8	HEX. BOLT M16X60 8.8	
6	KG00362861	1	HEX. BOLT M16X110 8.8	
7	KG00480261	4	HEX. SCREW M16X40 8.8	
8	KG00641461	8	CARRIAGE BOLT M10X25 8.8	
9	KG00644761	8	CARRIAGE BOLT M12X25 8.8	
10	KG01052061	8	HEX. NUT M10 8	
11	KG01052161	8	HEX. NUT M12 8	
12	KG01069161	13	LOCK NUT M16 10	
13	KG01189862	16	TUBULAR SPLITED PIN 6X50 ZN DIN 1481	
14	KG01194162	16	TENSION PIN 10X50	
15	KG01251961	2	SPLIT PIN 4X40 ST	
16	KG01268161	2	WASHER M24	
17	VGND3147V	8	WASHER	
18	VGND3148V	8	WASHER	
19	VRR0541193	1	PIPE	
20	VRR0541493	1	PIN	
21	VRR0541502	16	BLOCK, GUIDE	
22	VRR0803101	1	CYLINDER	
23	VRR0803382	2	SUPPORT	
24	VRR0465701	2	COVEHOOD	
25	VRR0257801	2	QUICK-DISCONNECT COUPLING	
26	VR38271430	2	COUPLING	
27	VR38279106	2	NUT 3/4	
28	VR38271420	2	COUPLING	
29	VRR0290001	2	HOSE, HP	
30	VG38271201V	2	COUPLING	
31	VRR0519801	2	HOSE	
32	KG00353661	2	HEX. BOLT M8X60 8.8	
33	VGND3146V	2	CIRCLIP	
34	KG01051961	2	HEX. NUT M8 8	
35	VG38271200V	6	STUD, REDUCING	
36	VGND3114	2	RING, SEALING	
37	VRR0582201	1	PLUG	
38	VR18501154	1	HOSE	
39	VGGP001438K0	1	BODY, VALVE	
40	VG38272200V	1	ELBOW COUPLING	

# LB 8200 / BALE EJECTOR



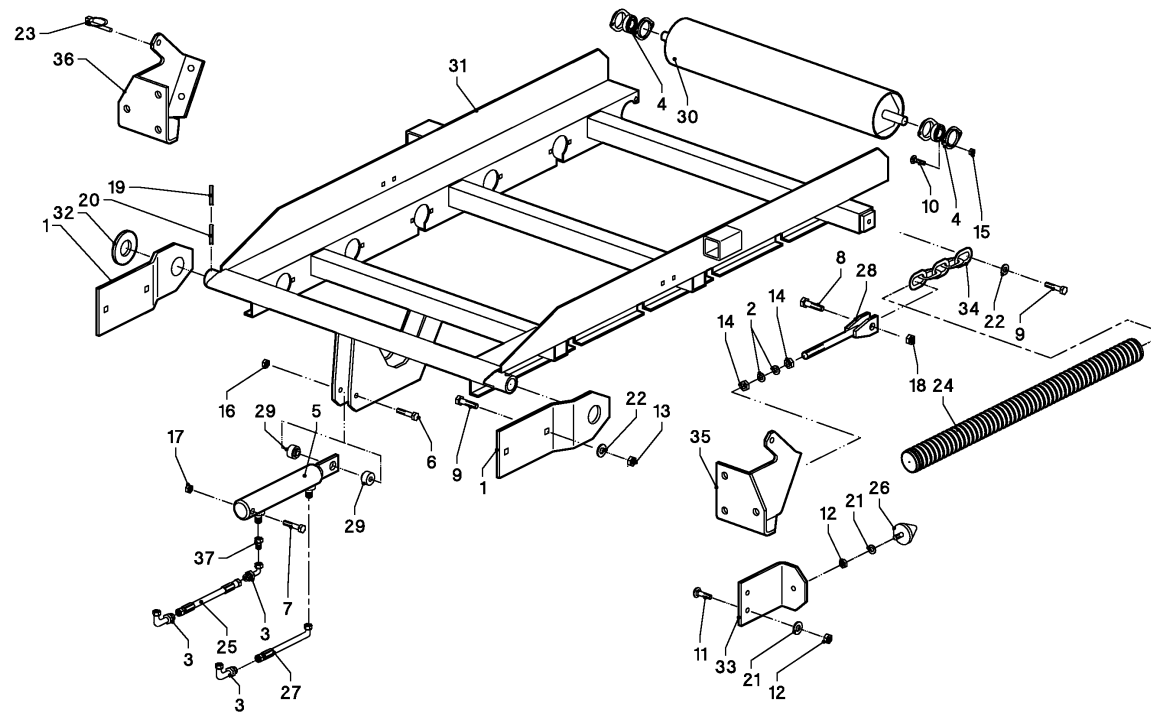
SPMVG000108

# LB 8200 / BALE EJECTOR



PosNo.	Part No.	Qty.	Description	Remark
41	VRR0490902	1	HOSE, HP	

# LB 8200 / ROLLER CHUTE



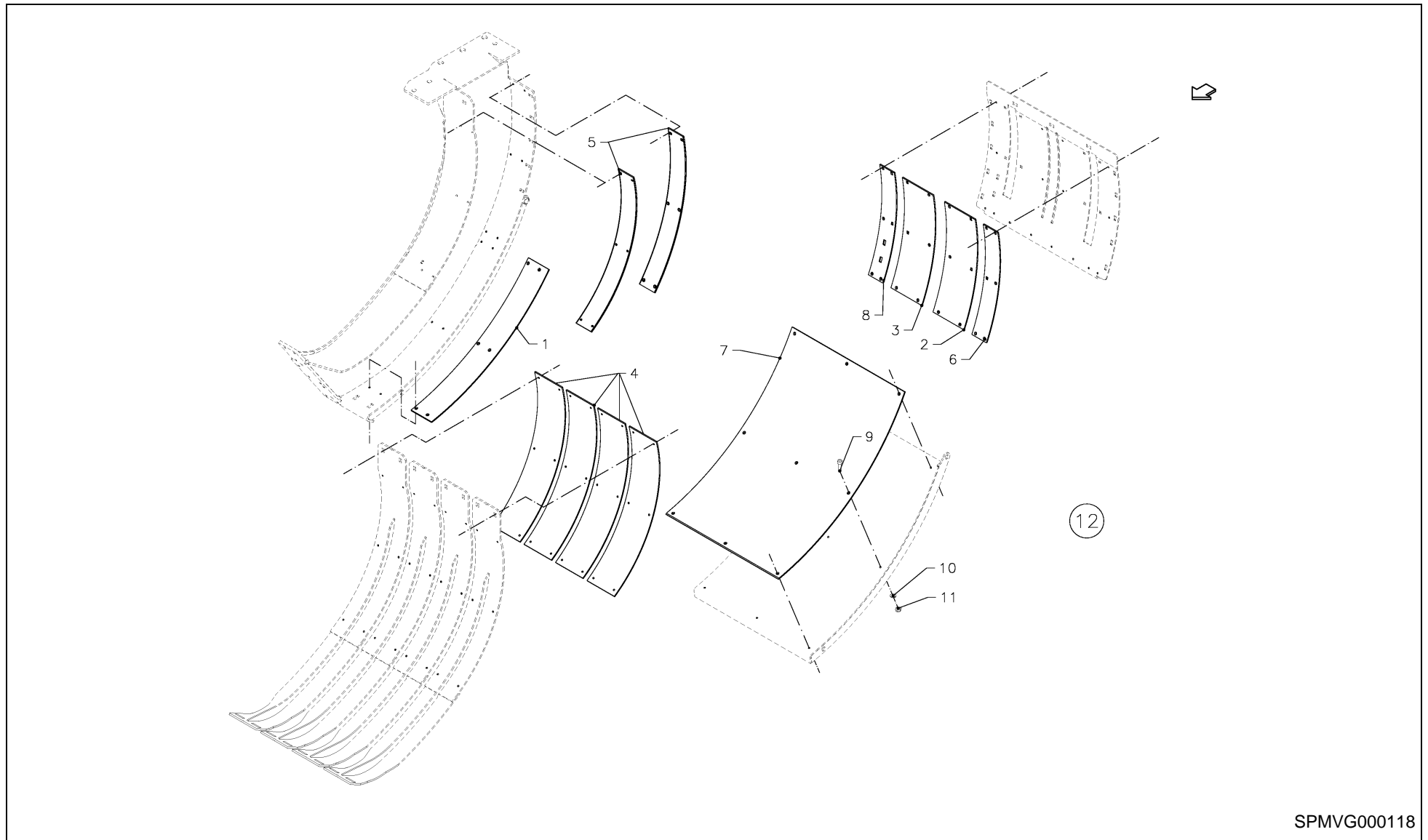
0504GR-3-006

# LB 8200 / ROLLER CHUTE



PosNo.	Part No.	Qty.	Description	Remark
1	VR19065029	2	PLATE	
2	VG37129064V	4	WASHER, BELLEVILLE	
3	VG38272200V	3	ELBOW COUPLING	
4	VR40711104	12	CUSHION, ASSY	
5	VGGP001325K0	1	CYLINDER, HYDR.	
6	KG00356061	1	HEX. BOLT M10X80 8.8	
7	KG00358261	1	HEX. BOLT M12X90 8.8	
8	KG00362061	2	HEX. BOLT M16X55 8.8	
9	KG00476661	6	HEX. SCREW M12X35 8.8	
10	KG00639061	24	CARRIAGE BOLT M8X20 8.8	
11	KG00641661	2	CARRIAGE BOLT M10X35 8.8	
12	KG01052061	4	HEX. NUT M10 8	
13	KG01052161	4	HEX. NUT M12 8	
14	KG01052361	4	HEX. NUT M16 8	
15	KG01068761	24	LOCK NUT M8 10	
16	KG01068861	1	LOCK NUT M10 10	
17	KG01068961	1	LOCK NUT M12 10	
18	KG01069161	2	LOCK NUT M16 10	
19	KG01190062	2	TENSION PIN 6X70	
20	KG01194262	2	TENSION PIN 10X60	
21	VGND3147V	4	WASHER	
22	VGND3148V	4	WASHER	
23	VGND9001V	2	LINCH PIN 8MM	
24	VGND98119	1	HOSE, PLASTIC	GIVE LENGTH WHEN ORDERING
25	VRR0050702	1	HOSE	
26	VRR0344501	2	STOP	
27	VRR0368401	1	HOSE	
28	VRR0481693	2	TENSIONNER	
29	VRR0511693	2	SLEEVE	
30	VRR0513282	6	ROL ( GR )	
31	VRR0513482	1	RAMP, BALE	
32	VRR0572593	2	RING	
33	VRR0578182	2	BRACKET	
34	VRR0579001	2	CHAIN	
35	VRR0685782	1	BRACE, LH	
36	VRR0685882	1	BRACE, RH	
37	VGTP438	1	THROTTLE, SCREW	

# LB 8200 / LOW FRICTION PLATES



SPMVG000118



## LB 8200 / LOW FRICTION PLATES



PosNo.	Part No.	Qty.	Description	Remark
1	VGGP1200	2	PLATE, PLASTIC	
2	VGGP1416	1	PLATE, PLASTIC	
3	VGGP1417	1	PLATE, PLASTIC	
4	VGGP435	4	PLATE, PLASTIC	
5	VGGP436	4	PLATE, PLASTIC	
6	VGGR421	1	PLATE	
7	VGGR180	1	PLATE, PLASTIC	
8	VGGR384	1	PLATE, PLASTIC	
9	KG00859161	90	COUNTERSUNK HEAD SCREW M5X16 8.8	
10	KG01267161	90	WASHER M5	
11	KG01067261	90	LOCK NUT M5	
12	ACCESSOIRE	1	PLEASE CONTACT YOUR DEALER	

# LB 8200 / Part No Index



Part No.	Page	Pos No	Part No.	Page	Pos No	Part No.	Page	Pos No	Part No.	Page	Pos No
AC351803	85	4	KG00353661	33	26	KG00358261	92	7	KG00471761	54	11
ACCESSOIRE	38	50	KG00353661	81	26	KG00358461	35	10	KG00471761	66	6
ACCESSOIRE	90	8	KG00353661	91	32	KG00358561	17	10	KG00471761	67	7
ACCESSOIRE	93	12	KG00355361	48	15	KG00358661	46	9	KG00471761	83	10
BV373024001	27	10	KG00355361	70	25	KG00362061	5	4	KG00471961	12	22
GR0438K0	47	10	KG00355461	10	11	KG00362061	54	10	KG00471961	13	9
KG00001800	43	15	KG00355461	19	13	KG00362061	92	8	KG00471961	21	1
KG00122900	65	14	KG00355561	1	29	KG00362161	91	5	KG00471961	31	17
KG00126600	45	10	KG00355561	30	4	KG00362261	46	10	KG00471961	44	44
KG00149600	45	11	KG00355561	56	14	KG00362361	37	14	KG00471961	58	10
KG00336361	38	27	KG00355561	58	9	KG00362561	90	10	KG00471961	71	21
KG00336961	40	22	KG00355561	67	6	KG00362661	42	10	KG00472061	34	8
KG00336961	41	19	KG00355761	31	16	KG00362861	91	6	KG00472161	50	19
KG00340461	45	12	KG00355761	37	13	KG00362961	44	21	KG00472161	51	9
KG00340861	27	5	KG00355861	23	26	KG00363061	40	24	KG00472161	52	9
KG00340961	27	6	KG00355861	47	22	KG00363161	82	7	KG00472161	58	26
KG00341061	18	10	KG00356061	57	18	KG00363161	83	9	KG00472161	76	5
KG00341061	42	9	KG00356061	92	6	KG00363461	52	8	KG00472161	77	22
KG00342661	1	8	KG00356261	62	8	KG00367961	18	11	KG00472261	10	12
KG00350361	2	4	KG00356261	75	4	KG00369761	18	12	KG00472261	19	14
KG00351261	53	8	KG00357461	28	6	KG00459061	40	25	KG00472261	75	5
KG00351561	75	3	KG00357461	40	23	KG00466261	11	18	KG00472261	76	6
KG00351561	79	10	KG00357461	41	20	KG00466261	20	5	KG00472461	5	5
KG00351761	58	25	KG00357561	3	16	KG00467261	56	15	KG00472661	51	10
KG00353161	51	8	KG00357561	41	21	KG00468761	38	28	KG00473961	70	27
KG00353161	54	9	KG00357561	44	19	KG00468761	62	9	KG00474061	63	1
KG00353161	78	2	KG00357761	3	17	KG00468761	66	5	KG00474200	48	16
KG00353161	90	9	KG00357861	44	20	KG00468761	77	8	KG00474261	33	27
KG00353261	46	8	KG00357961	50	7	KG00468761	80	11	KG00474261	36	23
KG00353261	47	21	KG00357961	59	9	KG00468961	90	11	KG00474261	40	26
KG00353361	81	25	KG00357961	61	14	KG00469261	68	11	KG00474261	54	12
KG00353461	44	18	KG00358261	11	5	KG00471461	44	43	KG00474261	55	14
KG00353561	31	15	KG00358261	60	8	KG00471561	18	13	KG00474261	65	1

# LB 8200 / Part No Index



Part No.	Page	Pos No	Part No.	Page	Pos No	Part No.	Page	Pos No	Part No.	Page	Pos No
KG00474261	76	7	KG00476561	55	15	KG00480461	14	4	KG00639161	38	32
KG00474261	81	21	KG00476561	59	12	KG00482361	24	8	KG00639161	90	14
KG00474261	90	12	KG00476661	3	19	KG00542261	69	5	KG00639261	10	13
KG00474361	4	25	KG00476661	5	6	KG00543161	70	28	KG00639261	19	16
KG00474361	19	15	KG00476661	6	10	KG00544861	9	5	KG00639261	75	8
KG00474361	25	13	KG00476661	29	11	KG00544961	53	9	KG00639361	79	11
KG00474361	26	2	KG00476661	33	30	KG00545000	80	12	KG00641361	41	26
KG00474361	28	7	KG00476661	35	11	KG00545061	75	7	KG00641461	4	8
KG00474361	31	18	KG00476661	38	30	KG00545161	36	25	KG00641461	52	11
KG00474361	33	28	KG00476661	41	22	KG00546861	80	13	KG00641461	91	8
KG00474361	38	29	KG00476661	92	9	KG00546961	23	27	KG00641561	25	15
KG00474361	75	6	KG00476761	1	10	KG00547261	70	29	KG00641561	34	11
KG00474361	85	8	KG00476761	28	8	KG00554561	44	23	KG00641561	41	27
KG00474361	90	13	KG00476761	44	22	KG00596400	43	16	KG00641561	55	13
KG00474461	1	9	KG00476761	48	18	KG00623761	78	3	KG00641661	3	20
KG00474461	31	19	KG00476761	55	16	KG00627661	46	14	KG00641661	41	28
KG00474461	58	11	KG00476761	60	9	KG00637061	25	14	KG00641661	52	12
KG00474461	59	10	KG00476861	46	11	KG00637061	77	9	KG00641661	92	11
KG00474461	61	15	KG00476961	59	13	KG00637061	78	4	KG00641761	10	14
KG00474461	73	8	KG00477361	41	23	KG00637161	76	8	KG00641761	19	17
KG00474561	20	6	KG00479961	28	9	KG00638961	30	5	KG00641761	48	19
KG00474561	33	29	KG00480061	38	31	KG00638961	82	9	KG00641861	4	27
KG00474561	34	9	KG00480061	52	10	KG00638961	83	12	KG00641861	50	8
KG00474561	58	27	KG00480161	46	12	KG00639061	5	7	KG00641961	4	28
KG00474561	59	11	KG00480261	41	24	KG00639061	34	10	KG00644761	3	21
KG00474561	66	7	KG00480261	42	11	KG00639061	41	25	KG00644761	91	9
KG00474761	26	3	KG00480261	46	13	KG00639061	49	6	KG00644861	3	22
KG00474761	82	8	KG00480261	61	16	KG00639061	51	11	KG00644861	34	12
KG00474761	83	11	KG00480261	62	10	KG00639061	58	28	KG00645061	41	29
KG00476461	4	26	KG00480261	91	7	KG00639061	62	11	KG00645061	59	14
KG00476561	3	18	KG00480361	6	11	KG00639061	82	10	KG00671863	71	24
KG00476561	36	24	KG00480361	14	3	KG00639061	83	13	KG00671963	71	22
KG00476561	48	17	KG00480361	40	27	KG00639061	92	10	KG00844361	73	9

# LB 8200 / Part No Index



Part No.	Page	Pos No	Part No.	Page	Pos No	Part No.	Page	Pos No	Part No.	Page	Pos No
KG00847761	58	12	KG01040761	13	10	KG01052061	90	17	KG01061161	62	14
KG00849261	30	6	KG01040761	21	2	KG01052061	91	10	KG01061161	70	32
KG00851161	28	10	KG01040961	13	11	KG01052061	92	12	KG01061161	75	10
KG00853261	29	12	KG01040961	21	3	KG01052161	1	11	KG01061161	76	10
KG00859161	93	9	KG01041261	44	24	KG01052161	3	24	KG01061161	76	11
KG00892963	57	19	KG01044600	57	21	KG01052161	5	9	KG01061161	77	11
KG00934162	44	45	KG01051561	11	19	KG01052161	28	11	KG01061161	78	6
KG00936662	90	15	KG01051561	20	7	KG01052161	29	13	KG01061161	79	14
KG00937900	42	12	KG01051761	66	8	KG01052161	42	13	KG01061161	80	15
KG00968762	57	20	KG01051961	5	8	KG01052161	47	17	KG01061161	82	14
KG00980561	53	10	KG01051961	12	23	KG01052161	55	18	KG01061161	83	17
KG00980661	75	9	KG01051961	21	4	KG01052161	59	16	KG01061261	10	15
KG00980661	76	9	KG01051961	38	33	KG01052161	60	11	KG01061261	13	12
KG00980661	77	24	KG01051961	48	21	KG01052161	91	11	KG01061261	19	18
KG00980661	78	5	KG01051961	49	16	KG01052161	92	13	KG01061261	30	7
KG00980661	79	12	KG01051961	51	12	KG01052361	5	10	KG01061261	31	20
KG00980661	82	11	KG01051961	57	22	KG01052361	40	28	KG01061261	33	31
KG00980661	83	14	KG01051961	90	16	KG01052361	44	25	KG01061261	52	15
KG00980761	77	10	KG01051961	91	34	KG01052361	46	15	KG01061261	53	13
KG00981161	79	13	KG01052061	1	30	KG01052361	47	26	KG01061261	58	29
KG00981161	80	14	KG01052061	3	23	KG01052361	52	14	KG01061261	71	23
KG00981161	81	24	KG01052061	4	30	KG01052361	54	13	KG01061261	75	11
KG00981261	53	11	KG01052061	26	4	KG01052361	62	13	KG01061261	76	12
KG00981361	25	16	KG01052061	52	13	KG01052361	82	13	KG01061261	77	23
KG01000161	4	29	KG01052061	56	16	KG01052361	83	16	KG01061261	78	7
KG01000161	44	50	KG01052061	58	13	KG01052361	92	14	KG01061261	79	15
KG01000161	48	20	KG01052061	59	15	KG01052561	46	16	KG01061261	80	16
KG01000861	4	9	KG01052061	60	10	KG01052561	61	17	KG01061261	81	23
KG01000861	62	12	KG01052061	66	9	KG01052761	46	17	KG01061261	82	15
KG01000861	68	7	KG01052061	67	8	KG01052761	60	12	KG01061261	83	18
KG01027761	70	30	KG01052061	73	10	KG01061161	21	5	KG01061361	76	13
KG01027861	70	31	KG01052061	82	12	KG01061161	25	17	KG01061361	80	17
KG01028761	21	14	KG01052061	83	15	KG01061161	53	12	KG01067161	73	11

# LB 8200 / Part No Index



Part No.	Page	Pos No	Part No.	Page	Pos No	Part No.	Page	Pos No	Part No.	Page	Pos No
KG01067261	2	9	KG01068761	79	16	KG01068861	81	22	KG01069161	37	17
KG01067261	93	11	KG01068761	82	16	KG01068861	85	9	KG01069161	39	13
KG01067361	38	34	KG01068761	83	19	KG01068861	90	20	KG01069161	40	30
KG01067361	48	22	KG01068761	83	21	KG01068861	92	16	KG01069161	40	31
KG01067361	50	20	KG01068761	90	19	KG01068961	1	31	KG01069161	41	33
KG01067361	53	14	KG01068761	92	15	KG01068961	3	26	KG01069161	42	14
KG01067361	62	15	KG01068861	1	12	KG01068961	4	32	KG01069161	44	28
KG01067361	66	10	KG01068861	3	25	KG01068961	5	12	KG01069161	47	24
KG01067361	68	12	KG01068861	4	31	KG01068961	6	13	KG01069161	58	30
KG01067361	82	17	KG01068861	10	18	KG01068961	11	6	KG01069161	61	19
KG01067361	83	20	KG01068861	12	24	KG01068961	17	11	KG01069161	80	18
KG01067361	90	18	KG01068861	19	21	KG01068961	28	12	KG01069161	90	21
KG01068761	5	11	KG01068861	20	8	KG01068961	33	33	KG01069161	91	12
KG01068761	10	16	KG01068861	23	28	KG01068961	34	15	KG01069161	92	18
KG01068761	10	17	KG01068861	25	18	KG01068961	36	28	KG01069261	1	13
KG01068761	19	19	KG01068861	26	5	KG01068961	37	16	KG01069261	18	15
KG01068761	19	20	KG01068861	31	22	KG01068961	38	36	KG01069261	27	7
KG01068761	31	21	KG01068861	33	32	KG01068961	40	29	KG01069361	1	14
KG01068761	34	13	KG01068861	34	14	KG01068961	41	32	KG01072361	58	14
KG01068761	36	26	KG01068861	36	27	KG01068961	44	27	KG01085361	17	12
KG01068761	41	30	KG01068861	37	15	KG01068961	46	18	KG01085761	17	13
KG01068761	44	26	KG01068861	38	35	KG01068961	48	24	KG01098200	51	14
KG01068761	47	23	KG01068861	41	31	KG01068961	50	11	KG01098562	44	46
KG01068761	49	7	KG01068861	47	18	KG01068961	55	19	KG01099062	44	29
KG01068761	50	9	KG01068861	48	23	KG01068961	59	17	KG01099900	43	31
KG01068761	51	13	KG01068861	50	10	KG01068961	60	14	KG01100300	29	14
KG01068761	56	17	KG01068861	52	16	KG01068961	61	18	KG01107562	33	34
KG01068761	60	13	KG01068861	55	17	KG01068961	66	12	KG01107862	66	13
KG01068761	62	16	KG01068861	57	23	KG01068961	67	10	KG01108362	36	29
KG01068761	67	9	KG01068861	62	17	KG01068961	92	17	KG01108362	48	25
KG01068761	75	12	KG01068861	66	11	KG01069161	5	13	KG01108862	36	30
KG01068761	76	14	KG01068861	70	33	KG01069161	6	14	KG01108862	60	15
KG01068761	78	8	KG01068861	75	13	KG01069161	14	5	KG01109362	62	18

# LB 8200 / Part No Index



Part No.	Page	Pos No	Part No.	Page	Pos No	Part No.	Page	Pos No	Part No.	Page	Pos No
KG01109362	82	18	KG01187762	48	26	KG01252761	17	14	KG01267561	38	40
KG01109362	83	22	KG01188062	25	20	KG01252761	38	38	KG01267561	40	32
KG01109862	59	18	KG01188162	47	13	KG01253861	17	15	KG01267561	41	37
KG01109862	65	2	KG01188962	18	16	KG01260361	81	20	KG01267561	44	48
KG01110162	63	2	KG01189862	91	13	KG01267161	2	5	KG01267561	46	20
KG01111162	42	15	KG01190062	5	14	KG01267161	93	10	KG01267561	48	30
KG01111162	55	20	KG01190062	33	2	KG01267261	50	12	KG01267561	50	13
KG01111700	45	15	KG01190062	92	19	KG01267361	18	17	KG01267661	6	16
KG01112200	65	3	KG01191562	59	19	KG01267361	38	39	KG01267661	11	9
KG01119200	43	17	KG01191962	36	31	KG01267361	41	35	KG01267661	20	11
KG01127562	46	19	KG01192062	37	18	KG01267361	48	28	KG01267761	3	27
KG01127562	56	18	KG01192162	64	3	KG01267361	49	8	KG01267761	14	6
KG01128762	36	38	KG01194162	91	14	KG01267361	51	15	KG01267761	25	21
KG01128762	44	30	KG01194262	5	15	KG01267361	56	19	KG01267761	37	19
KG01128762	60	16	KG01194262	23	16	KG01267361	58	15	KG01267761	39	15
KG01128762	67	11	KG01194262	55	22	KG01267361	82	19	KG01267761	41	38
KG01130400	59	25	KG01194262	92	20	KG01267361	83	23	KG01267761	47	20
KG01130500	44	31	KG01194362	23	15	KG01267461	4	10	KG01267761	52	18
KG01130900	30	8	KG01194662	22	33	KG01267461	10	20	KG01267761	59	20
KG01130900	55	29	KG01195362	52	17	KG01267461	19	23	KG01267761	67	12
KG01131100	45	13	KG01207762	54	14	KG01267461	20	10	KG01267961	25	22
KG01131400	1	32	KG01248161	48	27	KG01267461	31	23	KG01267961	38	41
KG01131400	65	4	KG01251561	6	15	KG01267461	33	35	KG01267961	47	14
KG01131600	65	20	KG01251561	11	7	KG01267461	34	16	KG01267961	51	16
KG01131900	29	15	KG01251561	25	19	KG01267461	41	36	KG01268161	91	16
KG01132500	43	18	KG01251561	44	32	KG01267461	48	29	KG01281461	69	6
KG01132800	65	5	KG01251961	20	9	KG01267461	55	25	KG01281661	31	27
KG01132900	43	36	KG01251961	39	14	KG01267461	56	20	KG01281661	44	47
KG01133300	43	19	KG01251961	60	17	KG01267461	58	16	KG01281661	46	21
KG01184662	62	19	KG01251961	91	15	KG01267461	80	19	KG01281761	63	3
KG01186062	41	34	KG01252061	10	19	KG01267461	85	10	KG01281761	65	6
KG01186862	38	37	KG01252061	19	22	KG01267561	11	8	KG01281761	70	34
KG01187562	55	21	KG01252761	4	33	KG01267561	34	17	KG01281861	29	16

# LB 8200 / Part No Index



Part No.	Page	Pos No	Part No.	Page	Pos No	Part No.	Page	Pos No	Part No.	Page	Pos No
KG01281861	44	33	VF01104181	33	1	VF16510738.61	82	2	VF16618436	31	1
KG01282061	42	16	VF01141364	37	1	VF16510738.61	83	2	VF16618448	35	4
KG01282061	44	34	VF01157382	33	3	VF16512862	38	6	VF16618515	38	24
KG01282061	46	22	VF01157427	33	4	VF16512934	38	7	VF16618516	38	10
KG01307200	36	32	VF01173381	36	1	VF16514629	39	3	VF16618729.86	36	18
KG01353800	67	13	VF01397910	31	14	VF16518387	86	1	VF16618801	32	1
KG01354500	44	35	VF06213887	40	16	VF16519184	39	4	VF16618805	33	20
KG01354500	46	23	VF06214306	38	23	VF16611457	75	1	VF16618812.61	37	8
KG01354500	56	21	VF06214321	36	2	VF16611457	78	1	VF16618815.86	37	9
KG01357000	36	33	VF06214481	36	3	VF16611457	80	1	VF16618864	33	8
KG01361400	24	2	VF06214938	33	5	VF16611944	38	8	VF16618868.86	33	21
KG01361400	65	7	VF06215027	33	6	VF16613168	38	9	VF16618872	33	22
KG01364200	65	8	VF06215425	39	1	VF16614124	36	11	VF16619098.61	35	5
KG01364900	65	22	VF06215432	36	5	VF16614126	35	3	VF16619824	36	41
KG01377800	66	14	VF06215540	36	6	VF16614227.86	36	13	VF16650192	10	2
KG01378900	37	20	VF06215766	33	7	VF16615203.86	33	19	VF16650192	19	2
KG01382000	55	23	VF06246785	36	7	VF16615203.86	33	9	VF16651137	37	10
KG01383700	65	9	VF06249879	37	5	VF16615400	75	15	VF16651138	37	11
KG01402200	65	10	VF06273756	35	1	VF16616460	36	14	VF16651180.86	33	23
KG01490300	44	36	VF06277506	38	1	VF16616475	33	10	VF16651190.86	33	24
KG01491300	1	15	VF06550817	36	8	VF16616480	33	11	VF16651334	37	12
KG01739300	29	17	VF06552557	38	2	VF16616481	33	12	VF16651605	36	20
KG01800600	43	20	VF06554382.86	36	9	VF16617204.86	36	15	VF16654252.86	35	6
KG01817400	30	9	VF06564733	37	2	VF16617206	33	13	VF16654530	36	12
KG01827900	30	10	VF06564735.98	37	3	VF16617225.86	33	14	VG13925028V	44	41
KG01840361	71	24	VF06564747.98	37	4	VF16617227	33	15	VG13925033V	5	1
KG01840461	17	16	VF06567492	37	6	VF16617244	33	16	VG13925033V	35	2
KG01840661	6	12	VF06576501	39	2	VF16617905.86	36	19	VG13925033V	36	10
KG01840761	18	14	VF06579564.86	38	3	VF16617910	33	17	VG13925033V	60	2
MT00000162	71	11	VF06579628	38	4	VF16618011.86	36	16	VG18501136	20	21
MT00000240	72	3	VF06579664	38	5	VF16618012	33	18	VG18601320V	4	2
UH855380	82	22	VF06580546	37	7	VF16618017.86	36	17	VG18601320V	25	1
UH855380	83	28	VF16510738.61	62	3	VF16618323	39	5	VG18601320V	48	1

# LB 8200 / Part No Index



Part No.	Page	Pos No	Part No.	Page	Pos No	Part No.	Page	Pos No	Part No.	Page	Pos No
VG18601320V	66	1	VG37129064V	54	7	VG38272200V	70	5	VGDZ0065	35	8
VG18601321V	4	3	VG37129064V	61	12	VG38272200V	91	40	VEGH233V	6	1
VG18601321V	58	17	VG37129064V	62	5	VG38272200V	92	3	VGEP28V	1	28
VG19077006V	67	3	VG37129064V	90	1	VG38275200V	39	11	VGEP381V	41	1
VG28000056	2	10	VG37129064V	92	2	VG38275200V	70	7	VGG0610GR(3)	86	4
VG32102810	84	2	VG37208104	82	5	VG63.33.00	22	14	VGGB00253K0	11	3
VG36.00.00	22	1	VG37208104	83	5	VG63.34.01	22	15	VGGB00509	84	6
VG36.06.141	22	2	VG37803152	84	5	VG65.12.06	22	16	VGGB0401K0	61	3
VG36.06.144	22	3	VG38229007	17	1	VG75.44.91	22	17	VGGB124V	41	2
VG36.06.70	22	4	VG38229007	29	1	VG75.45.170	22	18	VGGB18K0	4	4
VG36.10.117	22	13	VG38229007	30	1	VG80.63.112	22	19	VGGB18K0	68	2
VG36.10.32	22	5	VG38229007	35	7	VG82.36.03	22	20	VGGB252K0	10	5
VG36.13.116	22	6	VG38229007	40	19	VG82.36.08	22	21	VGGB252K0	19	5
VG36.14.100	22	7	VG38229007	58	24	VG82.83.04	22	22	VGGB328K0	10	6
VG36.41.05	22	8	VG38229007	60	5	VG82.83.107	22	23	VGGB328K0	19	6
VG36.83.130	22	9	VG38229007	61	13	VG82.83.15	22	24	VGGM152V	49	15
VG36.83.132	22	10	VG38229007	90	3	VG82.85.03	22	25	VGGM152V	80	10
VG36.84.10	22	11	VG38271200V	2	1	VG85.01.03	22	26	VGGP001	55	7
VG36.84.12	22	12	VG38271200V	11	2	VG85.202	22	27	VGGP001321	57	3
VG365305	22	37	VG38271200V	14	12	VG85.204	22	28	VGGP001322	57	1
VG37064250V	54	6	VG38271200V	20	1	VG85.25.62	22	29	VGGP001325K0	92	5
VG37129050V	53	1	VG38271200V	69	2	VG85.26.08	22	30	VGGP001340	48	3
VG37129050V	58	22	VG38271200V	91	35	VGAGRASET123	22	31	VGGP001358	89	2
VG37129050V	66	2	VG38271201V	14	13	VGAGRASET207	22	32	VGGP001359	89	3
VG37129050V	80	9	VG38271201V	39	7	VGAH00132	55	6	VGGP001360	87	12
VG37129050V	82	4	VG38271201V	91	30	VGAH00132	65	21	VGGP001360	89	4
VG37129050V	83	4	VG38271203V	39	8	VGAH00133	1	2	VGGP001438K0	91	39
VG37129064V	5	3	VG38271203V	70	3	VGAH00133	40	21	VGGP0015	56	1
VG37129064V	28	5	VG38272200V	2	2	VGBF00349	38	26	VGGP001622K0	49	1
VG37129064V	38	11	VG38272200V	11	13	VGBR468	50	1	VGGP001660	1	3
VG37129064V	40	18	VG38272200V	14	14	VGBR804	84	4	VGGP001663	6	2
VG37129064V	46	1	VG38272200V	20	2	VGCZ104V	21	6	VGGP001663	8	10
VG37129064V	52	4	VG38272200V	69	3	VGDV47K0	83	6	VGGP001663	15	10



# LB 8200 / Part No Index



Part No.	Page	Pos No	Part No.	Page	Pos No	Part No.	Page	Pos No	Part No.	Page	Pos No
VGGP001857K0	42	21	VGGP01474	17	3	VGGP1003	19	7	VGGP1202	89	8
VGGP001857K0	43	1	VGGP01609K0	91	1	VGGP1004	10	26	VGGP1203	89	9
VGGP001880	58	5	VGGP01612K0	91	2	VGGP1004	19	33	VGGP1213	3	5
VGGP0021	56	2	VGGP01624K0	1	4	VGGP1011V	20	4	VGGP1226V	82	6
VGGP0044	56	3	VGGP01637K0	40	3	VGGP1024	1	5	VGGP1226V	83	7
VGGP0045	57	2	VGGP01665K0	81	1	VGGP1030	48	9	VGGP1232K0	19	8
VGGP00689	60	18	VGGP01666K0	81	2	VGGP1060K0	6	3	VGGP1246K0	10	8
VGGP00689	85	7	VGGP01688K0	81	3	VGGP1061K0	6	4	VGGP1246K0	19	9
VGGP00784	87	1	VGGP0327K0	40	4	VGGP1063K0	13	4	VGGP1253	21	7
VGGP00784	89	5	VGGP0401K0	41	3	VGGP1065K0	6	5	VGGP1254	88	3
VGGP00819	42	22	VGGP0402K0	41	4	VGGP1101	70	8	VGGP1259K0	81	4
VGGP00855K0	44	1	VGGP0424V	41	5	VGGP1102	70	9	VGGP1260K0	81	5
VGGP00860	43	7	VGGP0459K0	35	9	VGGP1104	70	10	VGGP1318	83	8
VGGP00871	43	2	VGGP0480V	47	1	VGGP1107	70	11	VGGP1319V	55	8
VGGP00872	43	3	VGGP0504K0	44	2	VGGP1111	53	6	VGGP1326K0	44	6
VGGP00885	87	2	VGGP0510K0	44	3	VGGP1120V	51	4	VGGP1327K0	44	7
VGGP00885	89	6	VGGP0528V	44	4	VGGP1122	70	12	VGGP1331K0	40	5
VGGP00919K0	31	2	VGGP0571V	47	2	VGGP1126K1	79	1	VGGP1352V	46	2
VGGP00993	13	18	VGGP05V	55	9	VGGP1127K1	79	2	VGGP1369V	48	10
VGGP01034V	48	4	VGGP0601K0	42	4	VGGP1137K0	80	3	VGGP1373V	48	11
VGGP01050K0	48	5	VGGP07	90	5	VGGP1141	68	4	VGGP1416	93	2
VGGP01053V	48	6	VGGP0704K0	50	2	VGGP1142K0	80	4	VGGP1417	93	3
VGGP01079K0	11	4	VGGP0813K0	58	6	VGGP1148K0	51	5	VGGP1448	8	4
VGGP01113K0	51	1	VGGP0821V	2	3	VGGP1149K0	51	6	VGGP1448	15	4
VGGP01140V	68	3	VGGP0919K0	31	3	VGGP1150K0	51	7	VGGP1451	8	5
VGGP01144K0	90	4	VGGP0921K0	31	4	VGGP1151K1	85	1	VGGP1451	15	5
VGGP01146K0	51	2	VGGP0935K0	44	5	VGGP1161K0	80	5	VGGP1452	8	6
VGGP01157K0	51	3	VGGP0938K0	55	10	VGGP1163	54	8	VGGP1452	15	6
VGGP01313V	60	7	VGGP0994K0	50	3	VGGP1165	64	2	VGGP1453	8	7
VGGP01328K0	40	2	VGGP1000	19	31	VGGP1198	17	4	VGGP1453	15	7
VGGP01337V	48	7	VGGP1002	10	27	VGGP1199	17	5	VGGP1455	15	2
VGGP01367K0	48	8	VGGP1002	19	32	VGGP1200	93	1	VGGP1467	17	7
VGGP01473	17	2	VGGP1003	10	7	VGGP1201	89	7	VGGP1468	17	8

# LB 8200 / Part No Index



Part No.	Page	Pos No	Part No.	Page	Pos No	Part No.	Page	Pos No	Part No.	Page	Pos No
VGGP1469	17	9	VGGP22	56	8	VGGP385	13	5	VGGP559	44	11
VGGP1479K0	91	3	VGGP23V	56	9	VGGP385	21	8	VGGP588	12	20
VGGP1492V	68	5	VGGP24	56	10	VGGP386	12	17	VGGP588	13	8
VGGP1514	14	30	VGGP25V	56	11	VGGP387	12	18	VGGP588	21	11
VGGP1557	47	3	VGGP26	57	4	VGGP387	13	6	VGGP590	12	21
VGGP1560V	47	4	VGGP27V	57	5	VGGP387	21	9	VGGP611V	42	5
VGGP1607V	56	13	VGGP28V	57	6	VGGP388	12	19	VGGP620	84	7
VGGP1608K0	91	4	VGGP29V	57	7	VGGP38V	57	14	VGGP621	84	8
VGGP1634V	88	6	VGGP2V	55	11	VGGP397	87	3	VGGP622	84	9
VGGP1635V	88	5	VGGP30	57	8	VGGP399	87	4	VGGP625	42	6
VGGP1636V	88	7	VGGP314	45	2	VGGP39V	57	15	VGGP648K0	71	18
VGGP1640	88	1	VGGP31V	57	9	VGGP40V	57	16	VGGP659V	90	6
VGGP1644K0	49	2	VGGP32V	57	10	VGGP41	57	17	VGGP660V	90	7
VGGP1654	14	31	VGGP34V	57	11	VGGP435	93	4	VGGP665V	44	12
VGGP1655V	48	36	VGGP352K0	79	3	VGGP436	93	5	VGGP672V	47	6
VGGP1664V	49	3	VGGP357	89	10	VGGP43V	56	12	VGGP673	47	7
VGGP1671K0	81	6	VGGP358	89	11	VGGP451	44	8	VGGP675K0	1	6
VGGP1672K0	81	7	VGGP360	89	12	VGGP455K0	33	25	VGGP676	70	13
VGGP1675K0	81	8	VGGP364V	89	13	VGGP455K0	34	1	VGGP677	70	14
VGGP1676K0	81	9	VGGP364V	89	14	VGGP457V	45	3	VGGP678	70	15
VGGP1683K0	81	10	VGGP365V	88	4	VGGP458V	45	4	VGGP679	70	16
VGGP1708K0	85	6	VGGP365V	89	15	VGGP461K0	79	4	VGGP680	70	17
VGGP1751V	49	4	VGGP366V	89	16	VGGP463K0	77	4	VGGP681	70	18
VGGP1772K0	85	2	VGGP367V	88	2	VGGP465	88	8	VGGP692K1	3	6
VGGP1775K0	48	12	VGGP367V	89	17	VGGP465	89	18	VGGP693	70	19
VGGP17V	56	4	VGGP368K0	77	3	VGGP466	89	19	VGGP694	70	20
VGGP1857	43	4	VGGP36V	57	12	VGGP474K0	40	6	VGGP695	70	21
VGGP1858	43	5	VGGP377	12	12	VGGP493	13	7	VGGP696	70	22
VGGP1859	43	12	VGGP379	12	13	VGGP493	21	10	VGGP707V	50	4
VGGP18V	56	5	VGGP37V	57	13	VGGP506K0	45	5	VGGP752	42	7
VGGP1901	70	45	VGGP380	12	14	VGGP507V	44	9	VGGP753V	44	13
VGGP19V	56	6	VGGP381	12	15	VGGP526	47	5	VGGP756V	50	5
VGGP20	56	7	VGGP385	12	16	VGGP529V	44	10	VGGP757V	50	6

# LB 8200 / Part No Index



Part No.	Page	Pos No	Part No.	Page	Pos No	Part No.	Page	Pos No	Part No.	Page	Pos No
VGGP774	89	20	VGGR00217K0	25	3	VGGR00471	8	2	VGGR042V	46	6
VGGP775	89	21	VGGR00251K0	6	6	VGGR0080K0	31	5	VGGR053K0	76	3
VGGP776	88	10	VGGR00305K0	27	3	VGGR0134K0	52	5	VGGR064K0	46	7
VGGP776	89	22	VGGR00306K0	27	4	VGGR0160K0	58	8	VGGR079K0	31	6
VGGP786	87	5	VGGR00399K0	38	51	VGGR016K0	79	5	VGGR080K0	31	7
VGGP805	77	5	VGGR00401K0	14	1	VGGR0178K0	30	20	VGGR081K0	31	8
VGGP807V	89	23	VGGR00442	15	1	VGGR0179K0	30	3	VGGR131	87	8
VGGP815	89	24	VGGR00443	15	2	VGGR0183K0	68	6	VGGR132	87	9
VGGP856	1	7	VGGR00446	18	3	VGGR018K0	76	1	VGGR135	89	26
VGGP859	43	6	VGGR00447	16	2	VGGR019K0	44	16	VGGR136	89	27
VGGP861	43	8	VGGR00447	18	4	VGGR0205K0	25	4	VGGR141K0	34	6
VGGP862	43	9	VGGR00448	16	3	VGGR0206K0	25	5	VGGR145K0	38	13
VGGP863	43	10	VGGR00448	18	7	VGGR0209K0	25	6	VGGR158V	47	11
VGGP864	43	11	VGGR00450	16	8	VGGR0218K0	76	2	VGGR171K0	62	7
VGGP869	43	13	VGGR00451	9	7	VGGR021K0	3	9	VGGR175K0	52	6
VGGP870	43	14	VGGR00451	16	6	VGGR0224K0	48	14	VGGR176K0	52	7
VGGP877K0	71	19	VGGR00451	18	20	VGGR0245K0	4	5	VGGR180	93	7
VGGP880	70	23	VGGR00452	9	6	VGGR0247K0	4	6	VGGR185K0	80	6
VGGP881	87	6	VGGR00452	16	5	VGGR0253K0	62	6	VGGR186K0	79	6
VGGP881	89	25	VGGR00452	18	19	VGGR0254K0	6	7	VGGR187K0	79	7
VGGP905K0	46	3	VGGR00453	16	7	VGGR0254K0	14	2	VGGR188K0	79	8
VGGP913	47	8	VGGR00453	18	21	VGGR0264K0	10	9	VGGR189K0	79	9
VGGP914K0	70	24	VGGR00454	18	9	VGGR0264K0	19	10	VGGR190K0	87	10
VGGP929	3	7	VGGR00455	18	6	VGGR0266K0	6	8	VGGR200K0	24	3
VGGP930	3	8	VGGR00456	18	5	VGGR027K0	41	6	VGGR203K0	77	1
VGGP934V	44	14	VGGR00457	18	32	VGGR031K0	41	7	VGGR208K0	25	7
VGGP939K0	44	15	VGGR00460	18	2	VGGR0323K0	34	2	VGGR212K0	25	8
VGGP943K0	58	7	VGGR00463	9	2	VGGR0327K0	34	3	VGGR213K0	25	9
VGGP946V	55	12	VGGR00464	9	8	VGGR0328K0	34	4	VGGR220K0	76	4
VGGP947V	47	9	VGGR00465	9	3	VGGR0352K0	34	5	VGGR221V	25	10
VGGP950V	48	13	VGGR00466	9	1	VGGR035K0	46	4	VGGR223V	25	11
VGGR00129	87	7	VGGR00466	16	1	VGGR037V	46	5	VGGR225K0	25	12
VGGR0012K0	27	2	VGGR00470	8	1	VGGR0395K0	49	5	VGGR244K0	4	7

# LB 8200 / Part No Index



Part No.	Page	Pos No	Part No.	Page	Pos No	Part No.	Page	Pos No	Part No.	Page	Pos No
VGGR25	42	8	VGGR458	17	6	VGND2164V	53	21	VGND3146V	67	16
VGGR252K0	6	9	VGGR461	15	8	VGND3030V	10	21	VGND3146V	71	25
VGGR26	45	6	VGGR467	9	4	VGND3030V	19	24	VGND3146V	90	25
VGGR263K0	19	11	VGGR468	8	9	VGND3030V	25	23	VGND3146V	91	33
VGGR274K0	47	12	VGGR469	8	3	VGND3030V	31	25	VGND3147V	4	34
VGGR307	29	4	VGGR472	8	8	VGND3030V	33	36	VGND3147V	23	29
VGGR308	29	5	VGGR60K0	71	20	VGND3030V	34	18	VGND3147V	28	14
VGGR309	29	6	VGGR67K0	41	16	VGND3030V	49	9	VGND3147V	30	12
VGGR310	29	7	VGGR83K0	31	9	VGND3030V	50	22	VGND3147V	34	20
VGGR317K0	41	8	VGGR86	40	7	VGND3030V	51	17	VGND3147V	38	43
VGGR318K0	41	9	VGMA242V	41	17	VGND3030V	62	28	VGND3147V	40	33
VGGR319K0	34	7	VGMH416V	50	14	VGND3030V	66	15	VGND3147V	52	19
VGGR320	29	8	VGMT00310	30	11	VGND3030V	83	25	VGND3147V	54	17
VGGR321	29	9	VGMT00310	47	25	VGND3030V	90	24	VGND3147V	55	26
VGGR322	29	10	VGMT00310	58	31	VGND3034V	58	32	VGND3147V	58	33
VGGR32K0	41	10	VGMT0062	36	34	VGND3034V	68	13	VGND3147V	59	22
VGGR33V	44	17	VGMT0063	31	26	VGND3034V	77	12	VGND3147V	60	19
VGGR350K0	77	6	VGMT0063	35	14	VGND3034V	79	17	VGND3147V	61	20
VGGR351K0	77	7	VGMT141V	42	17	VGND3114	91	36	VGND3147V	67	17
VGGR367K0	41	11	VGMT152V	28	13	VGND3138V	36	4	VGND3147V	73	12
VGGR368K0	41	12	VGMT152V	31	24	VGND3141	49	10	VGND3147V	82	20
VGGR369K0	41	13	VGMT152V	59	21	VGND3141	70	35	VGND3147V	83	26
VGGR370K0	41	14	VGMT152V	67	15	VGND3146V	5	16	VGND3147V	90	26
VGGR373K0	36	22	VGMT152V	75	14	VGND3146V	12	25	VGND3147V	91	17
VGGR384	93	8	VGMT152V	81	12	VGND3146V	21	12	VGND3147V	92	21
VGGR396K0	41	15	VGMT152V	90	22	VGND3146V	34	19	VGND3148V	1	33
VGGR408V	10	10	VGND1302V	90	23	VGND3146V	36	35	VGND3148V	3	28
VGGR408V	19	12	VGND1321V	55	24	VGND3146V	38	42	VGND3148V	4	35
VGGR421	93	6	VGND1408V	18	18	VGND3146V	44	49	VGND3148V	5	17
VGGR444	15	9	VGND1607V	38	14	VGND3146V	49	17	VGND3148V	13	13
VGGR445	15	3	VGND1612V	83	24	VGND3146V	54	16	VGND3148V	28	15
VGGR449	16	4	VGND1613V	50	21	VGND3146V	62	29	VGND3148V	33	37
VGGR449	18	8	VGND1616	54	15	VGND3146V	66	16	VGND3148V	35	15

# LB 8200 / Part No Index



Part No.	Page	Pos No	Part No.	Page	Pos No	Part No.	Page	Pos No	Part No.	Page	Pos No
VGND3148V	36	36	VGND5255	45	7	VGND9027V	55	30	VGND97060	14	25
VGND3148V	43	21	VGND5257	48	31	VGND9027V	87	11	VGND97061	14	28
VGND3148V	55	27	VGND5257	50	15	VGND9047V	42	19	VGND97062	14	27
VGND3148V	59	23	VGND5259	44	38	VGND9134	69	7	VGND97063	14	29
VGND3148V	91	18	VGND5260	67	14	VGND9190V	6	19	VGND9779	37	21
VGND3148V	92	22	VGND5263	43	22	VGND9190V	10	28	VGND9801V	48	33
VGND3156	14	23	VGND5264	43	23	VGND9190V	19	35	VGND98026V	18	1
VGND3157V	56	22	VGND5265	43	24	VGND92032V	38	45	VGND98026V	22	39
VGND3163V	3	29	VGND5266	43	25	VGND92035V	11	12	VGND98026V	57	29
VGND3163V	28	16	VGND5267	43	26	VGND92035V	20	18	VGND98119	92	24
VGND3163V	41	39	VGND5279	31	10	VGND92104V	38	22	VGND9813V	22	38
VGND3163V	55	28	VGND5280	49	11	VGND92162V	38	46	VGND9813V	57	30
VGND3163V	59	24	VGND6113	33	40	VGND92166	70	37	VGND9824	43	34
VGND3173V	40	34	VGND6148	70	36	VGND92183V	43	32	VGND9824	46	24
VGND3174V	24	7	VGND6360	43	27	VGND92184V	43	37	VGND9843	53	16
VGND3174V	45	14	VGND6361	43	28	VGND92185	27	1	VGND9889	84	3
VGND3175V	1	34	VGND6362	43	29	VGND92185	43	33	VGND9905	80	20
VGND3175V	42	18	VGND6363	43	30	VGND9248V	49	14	VGND9906V	38	47
VGND4030V	38	44	VGND6369	48	32	VGND9295	36	39	VGND9935	10	29
VGND4031V	52	20	VGND7020	54	20	VGND9346	36	40	VGND9935	19	34
VGND4148	57	24	VGND90007	25	24	VGND94053	1	16	VGNP705V	1	17
VGND4149	57	25	VGND9001V	5	18	VGND94112	1	35	VGNP705V	40	35
VGND4150	57	26	VGND9001V	92	23	VGND94112	22	35	VGNP705V	59	26
VGND4151	57	27	VGND90029	12	1	VGND94113	1	36	VGP0706GR(3)	86	5
VGND4152	56	23	VGND90030	88	11	VGND94113	22	36	VGPZ00160V	41	40
VGND4157V	54	18	VGND90036	49	12	VGND95044	53	15	VGPZ00160V	51	18
VGND4158V	54	19	VGND90037	49	13	VGND96088	36	42	VGPZ11V	5	19
VGND5120	33	38	VGND9004V	22	34	VGND9670V	54	21	VGPZ129V	25	25
VGND5217	24	1	VGND9004V	44	39	VGND97055	14	7	VGPZ129V	51	19
VGND5223	36	37	VGND9004V	45	8	VGND97056	14	8	VGPZ160V	2	6
VGND5239	33	39	VGND9004V	47	16	VGND97057	14	9	VGPZ160V	37	22
VGND5253	44	37	VGND9004V	57	28	VGND97058	14	26	VGPZ19V	51	20
VGND5253	47	15	VGND9004V	66	17	VGND97059	14	24	VGPZ25V	31	11

# LB 8200 / Part No Index



Part No.	Page	Pos No	Part No.	Page	Pos No	Part No.	Page	Pos No	Part No.	Page	Pos No
VGPZ328K0	40	8	VGTR3053	85	25	VNB0341373	71	4	VR11945015	11	1
VGPZ415K0	10	22	VGTR3056	85	26	VNB0342973	73	1	VR11955003	60	1
VGPZ415K0	19	25	VGTR3061	85	27	VNB0343573	73	2	VR11955021	4	1
VGPZ415K0	20	12	VGTR3067	85	28	VNB0370573	71	5	VR13525009	59	2
VGPZ415K0	21	13	VGTR3079	85	29	VNB0372473	71	6	VR13528010	62	2
VGPZ468	48	34	VGTR3088	85	3	VNB0391273	25	2	VR13528010	82	1
VGPZ472	48	35	VGTR61	86	21	VNB0391273	38	12	VR13528010	83	1
VGPZ474V	54	22	VGWA1749V	20	15	VNB0391273	53	4	VR13698033	58	1
VGPZ475V	50	16	VGWA183V	39	25	VNB0391273	71	7	VR13888006	59	3
VGTH00145	40	36	VGWA453	25	27	VNB0391273	73	3	VR13916014	67	1
VGTH00145	42	20	VGWA453	50	18	VNB0391273	74	1	VR13925001	54	2
VGTH00145	45	9	VGWA956V	51	24	VNB0391773	71	8	VR13944005	59	4
VGTH100V	3	30	VGZR00510	43	35	VNB0398473	71	9	VR13955005	54	4
VGTH100V	37	23	VN10285943	72	1	VNB0398573	53	5	VR13972004	5	2
VGTH100V	59	39	VN19741632	72	2	VNB0398573	71	10	VR13972004	59	5
VGTH100V	75	23	VN19741634	72	4	VNB0432973	73	4	VR13975008	10	1
VGTK50V	52	31	VN30803855	64	1	VNB0439373	73	5	VR13975008	19	1
VGTP0011	63	5	VN31419018	39	6	VNB0440273	73	6	VR13975008	67	2
VGTP438	92	37	VN31903304	71	1	VNB0467173	71	12	VR15173016	59	6
VGTP517V	10	25	VN40227300	58	23	VNB0534173	71	13	VR15374008	28	1
VGTP517V	19	30	VN40227300	90	2	VNB0534273	71	14	VR16988003	3	1
VGTR2006	86	10	VN40227710	29	2	VNB0534473	71	15	VR17033857	59	7
VGTR2007	86	11	VN40227710	45	1	VNB0535573	72	6	VR17052103	28	2
VGTR2013	86	12	VN40227720	61	1	VNB0535873	71	16	VR17653553	40	17
VGTR2024	86	13	VN40310404	61	2	VNB0536073	73	7	VR17655003	42	1
VGTR2029	86	14	VN408000047	23	19	VNB1357574	85	5	VR17803901	84	1
VGTR2035	86	15	VN41702899	29	3	VNB2071474	86	2	VR18501154	91	38
VGTR3017	86	16	VN41702900	61	22	VNB2236094	26	1	VR18501251	11	10
VGTR3018	86	17	VN79730407	53	2	VNB2541878	71	17	VR18501251	20	16
VGTR3028	86	18	VNB0077773	72	5	VNB2822600	86	3	VR18602811	55	1
VGTR3047	86	19	VNB0094473	71	2	VR11297005	59	1	VR18602811	60	3
VGTR3048	86	20	VNB0262073	53	3	VR11695006	54	1	VR18604562	3	2
VGTR3053	83	45	VNB0336973	71	3	VR11695006	62	1	VR18604562	52	1

# LB 8200 / Part No Index



Part No.	Page	Pos No	Part No.	Page	Pos No	Part No.	Page	Pos No	Part No.	Page	Pos No
VR18604562	62	4	VR30803337	52	3	VR38271007	69	1	VR40711104	68	1
VR19023049	82	3	VR30803820	55	3	VR38271007	70	2	VR40711104	92	4
VR19023049	83	3	VR31018150	4	24	VR38271207	70	4	VR40737011	40	1
VR19057016	54	5	VR31432400	11	11	VR38271213	39	9	VR40737011	42	3
VR19065029	92	1	VR31432400	20	17	VR38271420	26	10	VR412170004	23	20
VR19182058	67	4	VR318003200	24	5	VR38271420	91	28	VR415000054	23	21
VR204176851	23	1	VR32103730	13	1	VR38271430	26	8	VR421955001	23	22
VR204176852	23	2	VR32103730	21	15	VR38271430	91	26	VR427840103	23	23
VR225180412	23	3	VR32104520	10	3	VR38272201	11	14	VR43202701	40	20
VR225210412	23	4	VR32104520	19	3	VR38273201	11	15	VR5090L3761	23	24
VR232843702	23	5	VR32104530	10	4	VR38273201	14	15	VR51099367	26	12
VR23500002	36	21	VR32104530	19	4	VR38273201	20	3	VR686753901	23	25
VR23500013	58	2	VR32104590	13	2	VR38273201	69	4	VRR0016102	60	20
VR240000219	23	6	VR32104590	21	16	VR38273201	70	6	VRR0034993	4	11
VR246000028	23	7	VR339001072	23	14	VR38273202	39	10	VRR0038082	5	20
VR247006352	23	8	VR345015000	23	17	VR38275401	14	16	VRR0038182	5	21
VR248840002	23	9	VR367001005	24	6	VR38275401	39	12	VRR0038582	5	22
VR248870006	23	10	VR367003870	23	18	VR38278015	11	16	VRR0042682	59	27
VR248870015	23	11	VR37158050	55	4	VR38278015	20	19	VRR0046102	28	17
VR25015029	3	3	VR37158050	80	2	VR38279105	11	17	VRR0047382	67	18
VR25018003	3	4	VR37749025	12	2	VR38279105	20	20	VRR0048193	12	26
VR25018003	52	2	VR38222301	12	3	VR38279106	26	9	VRR0049102	10	23
VR25078013	58	3	VR38222302	12	4	VR38279106	91	27	VRR0049102	19	26
VR253078403	23	12	VR38222304	12	5	VR40133707	30	2	VRR0049102	90	27
VR258005330	23	13	VR38222306	12	6	VR40227015	66	3	VRR0050702	2	11
VR28000035	28	3	VR38222309	12	7	VR40227280	48	2	VRR0050702	69	8
VR28000036	28	4	VR38222310	12	8	VR40227530	58	4	VRR0050702	92	25
VR30270680	70	1	VR38222324	12	9	VR40227609	67	5	VRR0066574	86	6
VR30282918	1	1	VR38222331	12	10	VR40227740	55	5	VRR0069801	14	17
VR30301231	42	2	VR38222332	13	3	VR40227740	59	8	VRR0069801	39	16
VR30703482	55	2	VR38222332	21	17	VR40310406	44	42	VRR0069901	14	18
VR30703482	60	4	VR38222333	12	11	VR40310406	60	6	VRR0069901	39	17
VR30803337	38	25	VR38228054	89	1	VR40311010	66	4	VRR0073182	84	10

# LB 8200 / Part No Index



Part No.	Page	Pos No	Part No.	Page	Pos No	Part No.	Page	Pos No	Part No.	Page	Pos No
VRR0073282	84	11	VRR0211400	40	9	VRR0295793	66	20	VRR0381100	58	20
VRR0073301	84	12	VRR0213393	10	24	VRR0298401	84	13	VRR0381100	90	28
VRR0085293	59	28	VRR0213393	19	27	VRR0299593	1	18	VRR0381393	58	21
VRR0088582	28	18	VRR0213393	50	17	VRR0299593	27	8	VRR0387000	29	18
VRR0088682	28	19	VRR0213393	51	21	VRR0305282	4	15	VRR0389202	28	22
VRR0096801	53	17	VRR0213393	67	20	VRR0305382	52	22	VRR0389601	69	9
VRR0096801	62	20	VRR0219302	61	4	VRR0305801	70	38	VRR0389982	28	23
VRR0096801	75	16	VRR0220393	44	40	VRR0305901	70	39	VRR0391178	30	13
VRR0096801	78	9	VRR0226382	12	27	VRR0307482	46	25	VRR0394782	55	33
VRR0096801	80	7	VRR0234193	67	21	VRR0315474	86	7	VRR0396393	66	24
VRR0104101	7	1	VRR0234593	66	18	VRR0344501	31	12	VRR0398100	59	30
VRR0104201	7	2	VRR0236093	54	23	VRR0344501	92	26	VRR0398300	59	31
VRR0109182	52	21	VRR0236093	67	22	VRR0345701	5	23	VRR0403293	62	21
VRR0125174	85	11	VRR0237178	55	31	VRR0345701	75	2	VRR0403293	82	21
VRR0166601	53	18	VRR0237178	60	21	VRR0345701	78	11	VRR0403293	83	27
VRR0166601	75	17	VRR0244182	4	13	VRR0345701	79	18	VRR0407201	54	26
VRR0166601	78	10	VRR0244182	71	26	VRR0365582	28	20	VRR0407201	65	11
VRR0166601	80	8	VRR0244582	4	14	VRR0368382	52	23	VRR0407202	65	12
VRR0166601	81	11	VRR0244582	71	27	VRR0368401	70	40	VRR0407203	65	13
VRR0175502	2	12	VRR0247301	7	5	VRR0368401	92	27	VRR0407205	65	15
VRR0175502	11	20	VRR0247401	7	6	VRR0369701	75	18	VRR0407206	65	16
VRR0175502	14	19	VRR0247701	7	7	VRR0369701	79	19	VRR0407207	65	17
VRR0180401	7	3	VRR0247701	14	10	VRR0370901	58	19	VRR0407208	65	18
VRR0180501	7	4	VRR0247801	7	8	VRR0375293	59	29	VRR0407209	65	19
VRR0184174	85	12	VRR0257801	14	20	VRR0376282	28	21	VRR0407216	65	23
VRR0190501	85	13	VRR0257801	26	7	VRR0376800	54	24	VRR0407704	27	9
VRR0203693	25	26	VRR0257801	39	18	VRR0376993	54	25	VRR0409482	52	24
VRR0203693	58	18	VRR0257801	91	25	VRR0377582	55	32	VRR0411582	52	25
VRR0203693	67	19	VRR0273301	85	14	VRR0379300	66	21	VRR0411982	52	26
VRR0205001	13	16	VRR0290001	39	19	VRR0379493	66	22	VRR0412902	46	26
VRR0205101	13	17	VRR0290001	91	29	VRR0379982	67	23	VRR0429301	53	19
VRR0205101	21	18	VRR0290182	61	5	VRR0380893	67	24	VRR0431082	4	16
VRR0210682	4	12	VRR0295593	66	19	VRR0380982	66	23	VRR0438982	3	10



# LB 8200 / Part No Index



Part No.	Page	Pos No	Part No.	Page	Pos No	Part No.	Page	Pos No	Part No.	Page	Pos No
VRR0444582	79	20	VRR0482182	5	27	VRR0525901	67	29	VRR0548482	12	32
VRR0446501	4	36	VRR0482482	40	10	VRR0527093	19	28	VRR0551437	17	17
VRR0449193	60	22	VRR0482893	40	11	VRR0528174	85	15	VRR0551438	17	18
VRR0449282	73	13	VRR0483501	7	9	VRR0529682	1	19	VRR0551439	17	19
VRR0449382	59	32	VRR0485101	24	4	VRR0531482	60	23	VRR0551441	17	20
VRR0459500	59	33	VRR0489593	40	12	VRR0531782	60	24	VRR0551442	17	21
VRR0459601	6	17	VRR0490902	91	41	VRR0533793	35	16	VRR0551443	17	22
VRR0459601	14	11	VRR0491902	38	48	VRR0534074	85	16	VRR0551518	18	22
VRR0460082	55	34	VRR0492482	59	34	VRR0534174	82	23	VRR0551519	18	23
VRR0461082	28	24	VRR0498593	73	14	VRR0534174	83	29	VRR0551520	18	24
VRR0461182	28	25	VRR0506282	3	11	VRR0534274	83	30	VRR0551521	18	25
VRR0465701	14	21	VRR0511693	92	29	VRR0534274	85	17	VRR0551523	18	26
VRR0465701	26	6	VRR0513282	92	30	VRR0535193	46	28	VRR0551525	18	27
VRR0465701	39	20	VRR0513482	92	31	VRR0535801	12	28	VRR0551526	18	28
VRR0465701	91	24	VRR0516082	4	17	VRR0541193	91	19	VRR0551527	18	29
VRR0466208	63	4	VRR0519202	63	9	VRR0541493	91	20	VRR0552401	7	10
VRR0466210	63	6	VRR0519203	63	10	VRR0541502	91	21	VRR0552501	7	11
VRR0466211	63	7	VRR0519204	63	11	VRR0542302	64	4	VRR0564401	7	12
VRR0466212	63	8	VRR0519204	65	24	VRR0542303	64	5	VRR0569600	55	35
VRR0473882	52	27	VRR0519205	63	12	VRR0542305	64	6	VRR0569600	60	25
VRR0473993	52	28	VRR0519208	63	13	VRR0542306	64	7	VRR0569700	55	36
VRR0476693	61	6	VRR0519301	46	27	VRR0542307	64	8	VRR0569700	60	26
VRR0476982	52	29	VRR0519301	63	14	VRR0542308	64	9	VRR0572101	18	30
VRR0477082	62	22	VRR0519302	63	15	VRR0542310	64	10	VRR0572201	18	31
VRR0477102	62	23	VRR0519303	63	16	VRR0546101	12	29	VRR0572593	5	28
VRR0478902	62	24	VRR0519304	63	17	VRR0546101	13	14	VRR0572593	92	32
VRR0479082	62	25	VRR0519801	14	22	VRR0546101	21	19	VRR0573893	55	37
VRR0480120	54	27	VRR0519801	91	31	VRR0546201	12	30	VRR0574582	59	35
VRR0480120	89	28	VRR0519901	39	21	VRR0546501	12	31	VRR0574682	59	36
VRR0481082	5	24	VRR0521293	67	25	VRR0546501	13	15	VRR0575082	59	37
VRR0481182	5	25	VRR0521393	67	26	VRR0546501	21	20	VRR0575982	55	38
VRR0481693	5	26	VRR0521493	67	27	VRR0548293	28	26	VRR0576002	55	39
VRR0481693	92	28	VRR0521593	67	28	VRR0548393	28	27	VRR0578182	92	33

# LB 8200 / Part No Index



Part No.	Page	Pos No	Part No.	Page	Pos No	Part No.	Page	Pos No	Part No.	Page	Pos No
VRR0578382	3	12	VRR0622982	30	18	VRR0647094	75	19	VRR0668993	35	18
VRR0578682	3	13	VRR0629013	87	13	VRR0647182	75	20	VRR0672282	77	16
VRR0578682	52	30	VRR0629014	87	14	VRR0647894	78	12	VRR0672382	77	17
VRR0578802	3	14	VRR0629682	28	28	VRR0647994	78	13	VRR0672682	78	20
VRR0578902	3	15	VRR0629893	29	21	VRR0649294	78	14	VRR0673182	78	21
VRR0579001	5	29	VRR0631882	59	38	VRR0649394	78	15	VRR0673882	78	22
VRR0579001	92	34	VRR0632082	27	11	VRR0650301	70	43	VRR0675382	51	22
VRR0579900	55	40	VRR0632182	27	12	VRR0650601	69	17	VRR0675701	70	44
VRR0579900	85	18	VRR0632282	61	7	VRR0651002	69	18	VRR0676382	78	23
VRR0580074	85	19	VRR0632393	61	8	VRR0653482	4	19	VRR0676982	4	22
VRR0582201	91	37	VRR0632782	61	9	VRR0653582	4	20	VRR0682102	39	22
VRR0583102	90	29	VRR0633500	61	10	VRR0653882	4	21	VRR0682202	39	23
VRR0583801	69	10	VRR0633693	61	11	VRR0655194	78	16	VRR0683282	77	18
VRR0584011	8	11	VRR0634101	69	14	VRR0655294	78	17	VRR0684182	77	19
VRR0584011	15	11	VRR0634401	69	15	VRR0657801	36	43	VRR0684282	77	20
VRR0584018	8	12	VRR0635101	69	16	VRR0658282	76	22	VRR0684382	77	21
VRR0584018	15	12	VRR0635493	40	13	VRR0658382	76	23	VRR0684682	76	25
VRR0587101	69	11	VRR0636002	26	13	VRR0658782	76	24	VRR0685782	5	30
VRR0587202	69	12	VRR0636602	26	11	VRR0658993	46	29	VRR0685782	92	35
VRR0587202	70	41	VRR0642182	40	14	VRR0659001	46	30	VRR0685882	5	31
VRR0588702	54	28	VRR0642982	4	18	VRR0659001	64	11	VRR0685882	92	36
VRR0589682	62	26	VRR0644782	77	13	VRR0659101	23	30	VRR0688182	60	27
VRR0591882	85	20	VRR0644882	77	14	VRR0659693	78	18	VRR0690082	74	2
VRR0592002	30	14	VRR0644982	76	15	VRR0659782	78	19	VRR0690182	74	3
VRR0592282	30	15	VRR0645082	76	16	VRR0660582	68	8	VRR0690982	73	15
VRR0592302	30	16	VRR0645182	76	17	VRR0660793	67	30	VRR0692874	86	9
VRR0592593	29	19	VRR0645282	76	18	VRR0660802	67	31	VRR0695682	54	29
VRR0611902	69	13	VRR0645882	76	19	VRR0660993	67	32	VRR0695993	54	30
VRR0611902	70	42	VRR0645982	76	20	VRR0661882	81	13	VRR0696894	75	21
VRR0615201	2	7	VRR0646102	35	17	VRR0662282	68	9	VRR0697093	75	22
VRR0615901	2	8	VRR0646282	76	21	VRR0662382	68	10	VRR0698593	55	41
VRR0620702	29	20	VRR0646382	77	15	VRR0665400	67	33	VRR0701501	5	32
VRR0622893	30	17	VRR0646482	77	2	VRR0668774	86	9	VRR0703493	39	24



# LB 8200 / Part No Index

Part No.	Page	Pos No	Part No.	Page	Pos No	Part No.	Page	Pos No
VRR0703701	85	21	VRR0715482	76	31	VRR0816093	82	37
VRR0703801	85	22	VRR0716182	82	31	VRR0816093	83	44
VRR0706982	38	15	VRR0716182	83	38	VRR0817282	1	25
VRR0707193	38	16	VRR0716582	82	32	VRR0817482	1	26
VRR0708402	38	49	VRR0716582	83	39	VRR0818282	35	19
VRR0708574	70	46	VRR0716882	78	24	VRR0820182	34	21
VRR0708910	89	29	VRR0717393	6	18	VRR0820382	38	17
VRR0708914	89	30	VRR0717701	70	47	VRR0820482	38	18
VRR0708922	88	9	VRR0718182	41	18	VRR0821193	38	19
VRR0708922	89	31	VRR0718582	28	29	VRR0821293	38	20
VRR0709201	85	23	VRR0718682	28	30	VRR0821382	38	21
VRR0712800	61	21	VRR0718782	28	31	VRR0821993	30	19
VRR0712800	85	24	VRR0722282	82	33	VRR0825393	90	30
VRR0713582	76	26	VRR0722282	83	40	VRR0825882	55	43
VRR0713682	76	27	VRR0722382	82	34	VRR0825882	90	31
VRR0713782	82	24	VRR0722382	83	41	VRR0825982	90	32
VRR0713782	83	31	VRR0800082	4	23	VRR0826182	90	33
VRR0713982	82	25	VRR0800682	1	20	VRR0826393	90	34
VRR0713982	83	32	VRR0801782	1	21	VRR0828782	81	14
VRR0714182	82	26	VRR0803101	91	22	VRR0829882	81	15
VRR0714182	83	33	VRR0803382	91	23	VRR0829982	81	16
VRR0714282	82	27	VRR0804882	19	29	VRR0830282	81	17
VRR0714282	83	34	VRR0805901	84	14	VRR0830382	81	18
VRR0714382	82	28	VRR0806282	31	13	VRR0831282	81	19
VRR0714382	83	35	VRR0808001	1	22	VRR0831993	40	15
VRR0714482	82	29	VRR0811282	1	23	VRR0834082	20	13
VRR0714482	83	36	VRR0811382	1	24	VRR0834182	20	14
VRR0714582	82	30	VRR0812382	84	15	VRR0834701	21	21
VRR0714582	83	37	VRR0812482	84	16	VRR0835182	62	27
VRR0715182	76	28	VRR0814382	55	42	VRR0836182	1	27
VRR0715282	76	29	VRR0815893	82	35	VRR0839982	53	20
VRR0715382	51	23	VRR0815893	83	42			
VRR0715382	76	30	VRR0815993	83	43			



## **LB 8200**

GR00168 < Mach. ID <=

Kverneland Group Geldrop BV  
Nuenenseweg 165  
5667KP Geldrop  
Netherlands  
+31 40 289 33 00  
+31 40 285 32 15

© Kverneland Group

All rights reserved. No parts of this book may be reproduced, stored in a database or retrieval system, or published in any form or in any way, electronically, mechanically, optically, by print, photo print, microfilm (including micro and macro fiche), or any other means, including all video and CD systems, without prior written permission from the publisher.

Print date: 2007-07-09

